

1 600 917

- (21) Application No. 17971/78
- (22) Filed 5 May 1978
- (44) Complete Specification Published 21 Oct. 1981
- (51) INT. CL.³ B65D 51/24
- (52) Index at Acceptance
B8T 14A 14B WX
B8P F
- (72) Inventor: PREBEN SOMMER

(19)



(54) IMPROVEMENTS IN OR RELATING TO COVERS FOR WASTE CONTAINERS

(71) We, THE USON PLAST CO., of Vasekaer 6-8, DK-2730 Herlev, Denmark, a body corporate, organised and existing under the laws of Denmark, do hereby declare the invention, for which we pray that a patent may be granted to us, and the method by which it is to be performed, to be particularly described, in and by the following statement:-

The invention relates to covers for waste containers.

Such a cover and container may be used for used parts which, when disposed of, must be withdrawn from a reusable holder, such as needles to be withdrawn from a syringe.

According to the invention there is provided a cover for a waste container for used parts which, when disposed of, are withdrawn from a reusable holder, the cover having formed therein an opening and there being provided a sealing lid for closing the opening, the opening being defined by a transverse wall having a free edge in which is formed a notch for facilitating removal of the used part from the holder.

When for instance a needle is to be withdrawn from a syringe, the needle may be inserted into the opening in a preferred cover and is retained in the notch in the transverse wall when the syringe is removed from the waste container. The used needle then falls down into the waste container for safe depositing of used needles.

The preferred cover thus makes it easier and more safe to withdraw such needles from the syringe.

The invention will be further described, by way of example, with reference to the accompanying drawings, wherein:

Figure 1 is a perspective view of a waste container having a preferred cover and provided with an opening with a spout closed by a sealing lid;

Figure 2 shows the cover of Figure 1 seen

from above and with the lid removed from the spout; and

Figure 3 shows the cover of Figure 1 seen from below, with the lid removed from spout.

In Figure 1 is shown a waste container produced from a resin, which is closed at the top by a completely sealing cover 2. The cover 2 has an opening 3, shown in Figures 2 and 3, with a spout 4 which is closed with a lid 5 as shown in Figure 1.

Figures 2 and 3 show the lid 5 removed from the spout 4, but it is conveniently fastened to the cover 2 by means of a flexible plastics strip 6.

The spout 4 surrounding the opening 3 has a transverse wall 7 covering less than half of the cross-sectional area of the spout or opening. The transverse wall 7 has a free edge 8 provided with a notch 9 which is shown with a V shape in the drawing, but may of course have any other suitable shape, such as a U shape.

WHAT WE CLAIM IS:-

1. A cover for a waste container for used parts which, when disposed of, are withdrawn from a reusable holder, the cover having formed therein an opening and there being provided a sealing lid for closing the opening, the opening being defined by a transverse wall having a free edge in which is formed a notch for facilitating removal of the used part from the holder.

2. A cover as claimed in claim 1, in which the notch is V or U shaped.

3. A cover as claimed in claim 1 or 2, in which the opening is provided with a spout for receiving the sealing lid.

4. A cover as claimed in claim 3, in which the opening extends over less than half of the cross-sectional area of the spout.

5. A cover for a waste container for used parts which, when disposed of, are withdrawn from a reusable holder, substantially as hereinbefore described with refer-

5
10
15
20
25
30
35
40
45

50
55
60
65
70
75
80
85
90

ence to and as illustrated in the accompanying drawings.

5 6. A waste container including a cover as claimed in any one of the preceding claims.

10 MARKS & CLERK,
Chartered Patent Agents,
57-60 Lincolns Inn Fields,
London, WC2A 3LS.
Agents for the Applicants.

Printed for Her Majesty's Stationery Office,
by Croydon Printing Company Limited, Croydon, Surrey, 1981.
Published by The Patent Office, 25 Southampton Buildings,
London, WC2A 1AY, from which copies may be obtained.

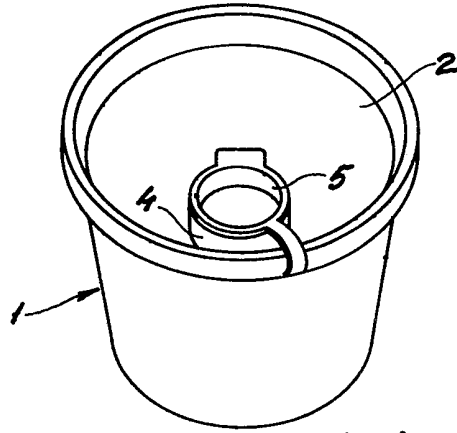


Fig.1

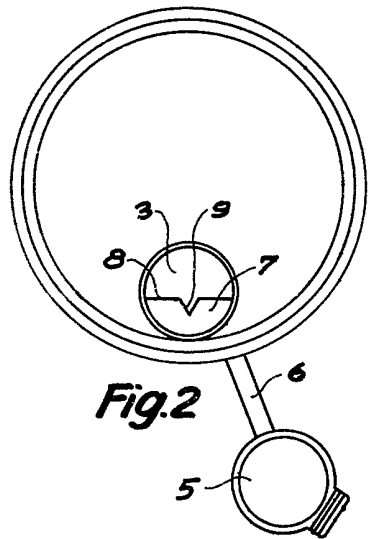


Fig.2

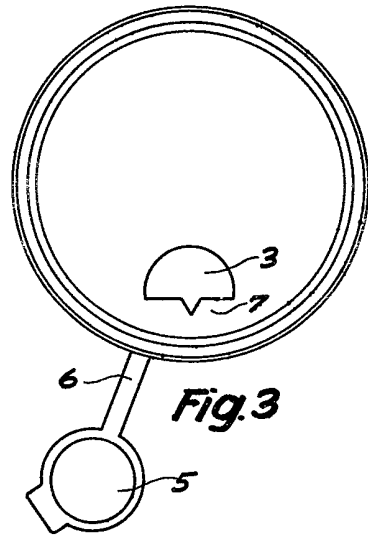


Fig.3