

(19) World Intellectual Property Organization
International Bureau



(43) International Publication Date
25 November 2004 (25.11.2004)

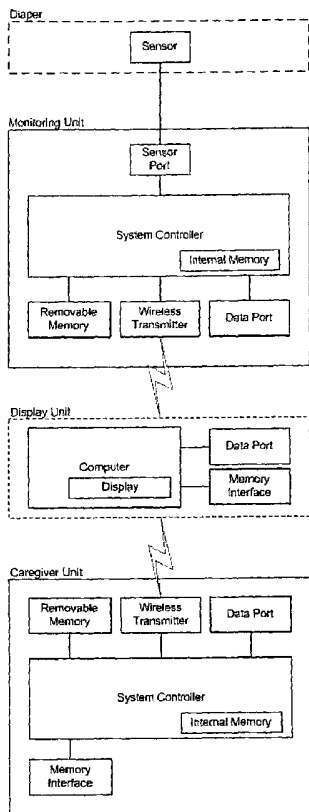
PCT

(10) International Publication Number
WO 2004/100763 A3

- (51) International Patent Classification⁷: **G08B 21/00**
- (74) Agent: **O'DONNELL, Kevin**; 75 Gilcrest Road, Suite 200, Londondery, NH 03053 (US).
- (21) International Application Number: PCT/US2004/013337
- (81) Designated States (unless otherwise indicated, for every kind of national protection available): AE, AG, AL, AM, AT, AU, AZ, BA, BB, BG, BR, BW, BY, BZ, CA, CH, CN, CO, CR, CU, CZ, DE, DK, DM, DZ, EC, EE, EG, ES, FI, GB, GD, GE, GH, GM, HR, HU, ID, IL, IN, IS, JP, KE, KG, KP, KR, KZ, LC, LK, LR, LS, LT, LU, LV, MA, MD, MG, MK, MN, MW, MX, MZ, NA, NI, NO, NZ, OM, PG, PH, PL, PT, RO, RU, SC, SD, SE, SG, SK, SL, SY, TJ, TM, TN, TR, TT, TZ, UA, UG, US, UZ, VC, VN, YU, ZA, ZM, ZW.
- (22) International Filing Date: 30 April 2004 (30.04.2004)
- (25) Filing Language: English
- (26) Publication Language: English
- (30) Priority Data:
 - 60/466,944 30 April 2003 (30.04.2003) US
 - 60/520,240 12 November 2003 (12.11.2003) US
- (71) Applicants and
- (72) Inventors: **COLLETTE, Daniel** [US/FR]; 3 Rue Madame Lea Vion, F-14970 Benouville (FR). **NAPIER, Mathew** [US/US]; 11703 Corona Ave NE, Albuquerque, NM 87122 (US).
- (84) Designated States (unless otherwise indicated, for every kind of regional protection available): ARIPO (BW, GH, GM, KE, LS, MW, MZ, NA, SD, SL, SZ, TZ, UG, ZM, ZW), Eurasian (AM, AZ, BY, KG, KZ, MD, RU, TJ, TM), European (AT, BE, BG, CH, CY, CZ, DE, DK, EE, ES, FI, FR, GB, GR, HU, IE, IT, LU, MC, NL, PL, PT, RO, SE, SI,

[Continued on next page]

(54) Title: DIAPER WETNESS MONITORING SYSTEM



(57) Abstract: A patient monitoring system according to one embodiment includes a real-time wetness sensor configured to detect the rate of change in wetness occurring within an associated diaper, and automatically adjusting the sensitivity of the sensor to account for a wetness event unrelated to urination. A monitoring unit monitors the wetness sensor and generates data associated with detected wetness events relative to the diaper. A wireless transmitter configured with the monitoring unit and in communication with the monitoring system controller sends the generated data through a host computer, to a caregiver unit having a caregiver system controller in communication with the host computer.

WO 2004/100763 A3



SK, TR), OAPI (BF, BJ, CF, CG, CI, CM, GA, GN, GQ,
GW, ML, MR, NE, SN, TD, TG).

— *before the expiration of the time limit for amending the
claims and to be republished in the event of receipt of
amendments*

Declaration under Rule 4.17:

— *of inventorship (Rule 4.17(iv)) for US only*

(88) Date of publication of the international search report:
10 February 2005

Published:

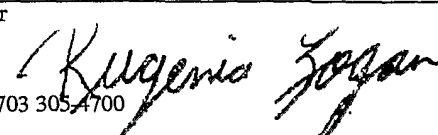
— *with international search report*

*For two-letter codes and other abbreviations, refer to the "Guid-
ance Notes on Codes and Abbreviations" appearing at the begin-
ning of each regular issue of the PCT Gazette.*

INTERNATIONAL SEARCH REPORT

International application No.

PCT/US04/13337

| A. CLASSIFICATION OF SUBJECT MATTER | | |
|---|---|--|
| IPC(7) : G08B 21/00 | | |
| US CL : 340/604, 618, 573.5, 573.3, 573.1, 941, 825.34; 600/595; 604/361 | | |
| According to International Patent Classification (IPC) or to both national classification and IPC | | |
| B. FIELDS SEARCHED | | |
| Minimum documentation searched (classification system followed by classification symbols) | | |
| U.S. : 340/604, 618, 573.5, 573.3, 573.1, 941, 825.34; 600/595; 604/361 | | |
| Documentation searched other than minimum documentation to the extent that such documents are included in the fields searched | | |
| Electronic data base consulted during the international search (name of data base and, where practicable, search terms used) | | |
| C. DOCUMENTS CONSIDERED TO BE RELEVANT | | |
| Category * | Citation of document, with indication, where appropriate, of the relevant passages | Relevant to claim No. |
| A | US 5,903,222 A (Kawarizadeh et al.) 11 May 1999, col. 5, lines 19-43. | 1-37 |
| A | US 5,266,928 A (Johnson) 30 November 1993, col. 6, lines 5-62. | 1-37 |
| A,P | US 6,580,013 B1 (Belloso) 17 June 2003, col. 3, lines 9-50. | 1-37 |
| A,P | US 2003/0137425 A1 (Gabriel) 24 July 2003, page 2, lines 0026-0028. | 1-37 |
| A,P | US 6,603,403 B2 (Jeutter et al.) 05 August 2003, col. 4, lines 5-56. | 1-37 |
| <input type="checkbox"/> Further documents are listed in the continuation of Box C. <input type="checkbox"/> See patent family annex. | | |
| * Special categories of cited documents: | | |
| "A" | document defining the general state of the art which is not considered to be of particular relevance | "T" later document published after the international filing date or priority date and not in conflict with the application but cited to understand the principle or theory underlying the invention |
| "B" | earlier application or patent published on or after the international filing date | "X" document of particular relevance; the claimed invention cannot be considered novel or cannot be considered to involve an inventive step when the document is taken alone |
| "L" | document which may throw doubts on priority claim(s) or which is cited to establish the publication date of another citation or other special reason (as specified) | "Y" document of particular relevance; the claimed invention cannot be considered to involve an inventive step when the document is combined with one or more other such documents, such combination being obvious to a person skilled in the art |
| "O" | document referring to an oral disclosure, use, exhibition or other means | "&" document member of the same patent family |
| "P" | document published prior to the international filing date but later than the priority date claimed | |
| Date of the actual completion of the international search | Date of mailing of the international search report | |
| 13 November 2004 (13.11.2004) | 14 DEC 2004 | |
| Name and mailing address of the ISA/US | Authorized officer | |
| Mail Stop PCT, Attn: ISA/US Commissioner for Patents P.O. Box 1450 Alexandria, Virginia 22313-1450 | Daniel Previl  | |
| Facsimile No. (703)305-3230 | Telephone No. 703 305-4700 | |