

(19) World Intellectual Property  
Organization  
International Bureau



(43) International Publication Date  
4 March 2004 (04.03.2004)

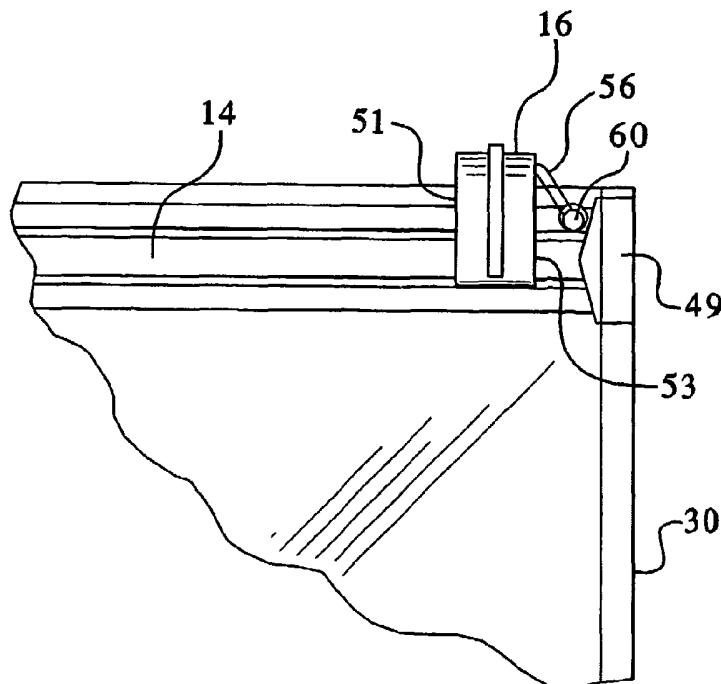
PCT

(10) International Publication Number  
WO 2004/018302 A3

- (51) International Patent Classification<sup>7</sup>: B65D 33/16
- (21) International Application Number:  
PCT/US2003/026003
- (22) International Filing Date: 19 August 2003 (19.08.2003)
- (25) Filing Language: English
- (26) Publication Language: English
- (30) Priority Data:  
10/225,026 20 August 2002 (20.08.2002) US
- (71) Applicant: CTI INDUSTRIES CORPORATION  
[US/US]; 22160 North Pepper Road, Barrington, IL 60010 (US).
- (72) Inventor: ANDERSON, Brent; 26072 Indian Trail, Barrington, IL 60010 (US).
- (74) Agent: JAGODA, James, J.; Bell, Boyd & Lloyd LLC, P.O. Box 1135, Chicago, IL 60690-1135 (US).
- (81) Designated States (*national*): AE, AG, AL, AM, AT, AU, AZ, BA, BB, BG, BR, BY, BZ, CA, CH, CN, CO, CR, CU, CZ, DE, DK, DM, DZ, EC, EE, ES, FI, GB, GD, GE, GH, GM, HR, HU, ID, IL, IN, IS, JP, KE, KG, KP, KR, KZ, LC, LK, LR, LS, LT, LU, LV, MA, MD, MG, MK, MN, MW, MX, MZ, NI, NO, NZ, OM, PG, PH, PL, PT, RO, RU, SC, SD, SE, SG, SK, SL, SY, TJ, TM, TN, TR, TT, TZ, UA, UG, UZ, VC, VN, YU, ZA, ZM, ZW.
- (84) Designated States (*regional*): ARIPO patent (GH, GM, KE, LS, MW, MZ, SD, SL, SZ, TZ, UG, ZM, ZW), Eurasian patent (AM, AZ, BY, KG, KZ, MD, RU, TJ, TM), European patent (AT, BE, BG, CH, CY, CZ, DE, DK, EE, ES, FI, FR, GB, GR, HU, IE, IT, LU, MC, NL, PT, RO, SE, SI, SK, TR), OAPI patent (BF, BJ, CF, CG, CI, CM, GA, GN, GQ, GW, ML, MR, NE, SN, TD, TG).
- Published:  
— with international search report  
— before the expiration of the time limit for amending the claims and to be republished in the event of receipt of amendments

[Continued on next page]

(54) Title: SLIDER WITH ARM



(57) Abstract: A reclosable bag (10) having a mouth (34) and including a zippered closure (14) at the mouth. The zippered closure has a first end (40) and a second end (42). The bag also includes a slider (16) having a body (47) and having a first edge (51) and second edge (53). The slider is movable along the zippered closure. An arm (56) extends from one of the first edge or second edge of the slider body. The body includes a distal end.

WO 2004/018302 A3



---

(88) Date of publication of the international search report:  
6 May 2004

*For two-letter codes and other abbreviations, refer to the "Guidance Notes on Codes and Abbreviations" appearing at the beginning of each regular issue of the PCT Gazette.*

**INTERNATIONAL SEARCH REPORT**

International application No.

PCT/US03/26003

**A. CLASSIFICATION OF SUBJECT MATTER**  
 IPC(7) : B65D 33/16  
 US CL : 383/64; 24/399, 400  
 According to International Patent Classification (IPC) or to both national classification and IPC

**B. FIELDS SEARCHED**  
 Minimum documentation searched (classification system followed by classification symbols)  
 U.S. : 383/64; 24/399, 400

Documentation searched other than minimum documentation to the extent that such documents are included in the fields searched

Electronic data base consulted during the international search (name of data base and, where practicable, search terms used)

**C. DOCUMENTS CONSIDERED TO BE RELEVANT**

Category *	Citation of document, with indication, where appropriate, of the relevant passages	Relevant to claim No.
X --- Y	US 3,115,689 A (JACOBS) 31 December 1963 (31.12.1963), See entire document.	1-4, 8-10, 13, 14, 16 ----- 5, 7, 11, 15
X	US 3,324,520 A (AUSNIT) 13 June 1967 (13.06.1967), See entire document.	1-4, 8-10, 13, 14, 16
X --- Y	US 3,426,396 A (LAGUERRE) 11 February 1969 (11.02.1969), See entire document.	1-4, 6, 9, 10, 12-14 ----- 5, 11
X	US 3,430,329 A (AUSNIT) 04 March 1969 (04.03.1969), See entire document.	1-4, 8-10, 13, 14, 16
Y	US 5,442,837 A (MORGAN) 22 August 1995 (22.08.1995), See entire document.	7, 15

Further documents are listed in the continuation of Box C.       See patent family annex.

* Special categories of cited documents:	
"A" document defining the general state of the art which is not considered to be of particular relevance	"T" later document published after the international filing date or priority date and not in conflict with the application but cited to understand the principle or theory underlying the invention
"E" earlier application or patent published on or after the international filing date	"X" document of particular relevance; the claimed invention cannot be considered novel or cannot be considered to involve an inventive step when the document is taken alone
"L" document which may throw doubts on priority claim(s) or which is cited to establish the publication date of another citation or other special reason (as specified)	"Y" document of particular relevance; the claimed invention cannot be considered to involve an inventive step when the document is combined with one or more other such documents, such combination being obvious to a person skilled in the art
"O" document referring to an oral disclosure, use, exhibition or other means	"&" document member of the same patent family
"P" document published prior to the international filing date but later than the priority date claimed	

Date of the actual completion of the international search 12 January 2004 (12.01.2004)	Date of mailing of the international search report <b>10 MAR 2004</b>
Name and mailing address of the ISA/US Mail Stop PCT, Attn: ISA/US Commissioner for Patents P.O. Box 1450 Alexandria, Virginia 22313-1450 Facsimile No. (703)305-3230	Authorized officer <i>Sharon N. Greene for</i> Jes F. Pascua Telephone No. 703-308-1078