

(19) World Intellectual Property Organization
International Bureau



(43) International Publication Date
3 October 2002 (03.10.2002)

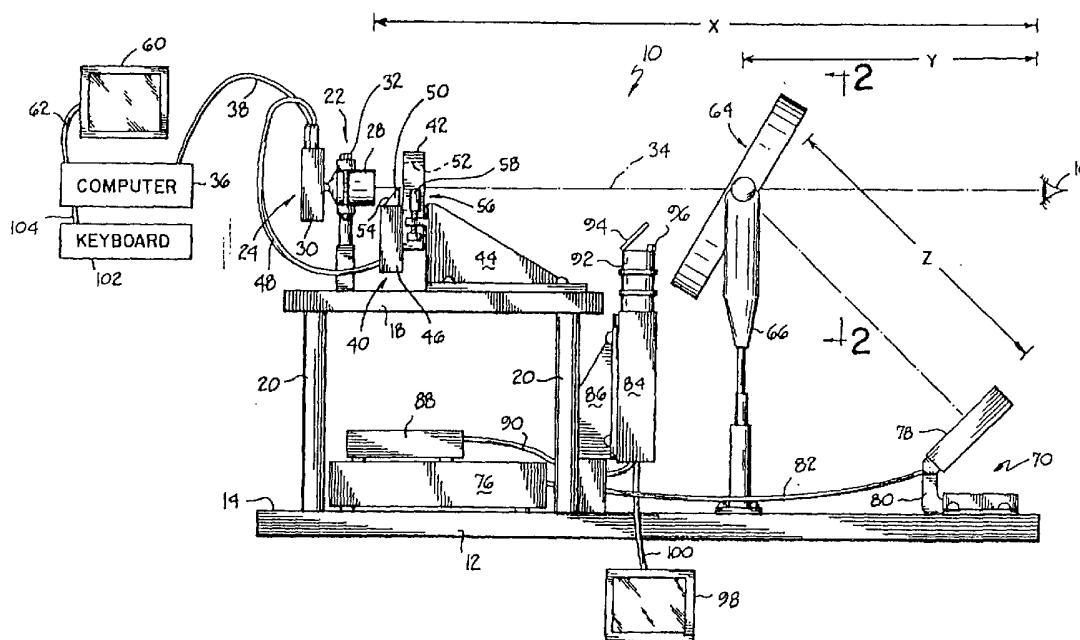
PCT

(10) International Publication Number
WO 02/076334 A3

- (51) International Patent Classification⁷: A61B 3/14
 - (21) International Application Number: PCT/US01/51438
 - (22) International Filing Date:
20 November 2001 (20.11.2001)
 - (25) Filing Language: English
 - (26) Publication Language: English
 - (30) Priority Data:
09/718,058 21 November 2000 (21.11.2000) US
 - (71) Applicant (for all designated States except US): IS-CREEN, LLC [US/US]; Suite 1, 668 Colonial Road, Memphis, TN 38117 (US).
 - (72) Inventors; and
 - (75) Inventors/Applicants (for US only): KENNEDY, Ross, A. [CA/CA]; 4699 Neville Street, Burnaby, British Columbia V5J 2H2 (CA). BELLOWS, Jack, R. [US/US]; 219 E. Goodwyn, Memphis, TN 38111 (US). THOMAS, David, E. [US/US]; 6495 Fiske Road, Bartlett, TN 38135 (US).
 - (74) Agents: REEVES, Charles, R. et al.; Woodard, Emhardt, Naughton, Moriarty & McNett, Suite 3700, Bank One Center/Tower, 111 Monument Circle, Indianapolis, IN 46204 (US).
 - (81) Designated States (national): AE, AG, AL, AM, AT, AU, AZ, BA, BB, BG, BR, BY, BZ, CA, CH, CN, CO, CR, CU, CZ, DE, DK, DM, DZ, EC, EE, ES, FI, GB, GD, GE, GH, GM, HR, HU, ID, IL, IN, IS, JP, KE, KG, KP, KR, KZ, LC, LK, LR, LS, LT, LU, LV, MA, MD, MG, MK, MN, MW, MX, MZ, NO, NZ, OM, PH, PL, PT, RO, RU, SD, SE, SG, SI, SK, SL, TJ, TM, TR, TT, TZ, UA, UG, US, UZ, VN, YU, ZA, ZW.
 - (84) Designated States (regional): ARIPO patent (GH, GM, KE, LS, MW, MZ, SD, SL, SZ, TZ, UG, ZM, ZW), Eurasian patent (AM, AZ, BY, KG, KZ, MD, RU, TJ, TM), European patent (AT, BE, CH, CY, DE, DK, ES, FI, FR, GB, GR, IE, IT, LU, MC, NL, PT, SE, TR), OAPI patent (BF, BJ, CF, CG, CI, CM, GA, GN, GQ, GW, ML, MR, NE, SN, TD, TG).
- Published:
— with international search report

[Continued on next page]

(54) Title: SYSTEM AND METHOD FOR EYE SCREENING



(57) Abstract: A system and method for eye (16) screening is provided. The system may include a remote data entry device for receiving patient information and eye images. A centralized facility is provided to receive data from the remote device and pass the information to still further remote reading centers. The method provides for eye screening by readers (10) at a site remote from the patient. Furthermore, the method contemplates maintaining the quality of reader output through electronic monitoring and training.



WO 02/076334 A3



(88) Date of publication of the international search report:
3 April 2003

For two-letter codes and other abbreviations, refer to the "Guidance Notes on Codes and Abbreviations" appearing at the beginning of each regular issue of the PCT Gazette.

INTERNATIONAL SEARCH REPORT

International application No.
PCT/US01/51438

A. CLASSIFICATION OF SUBJECT MATTER
 IPC(7) : A61B 3/14
 US CL : 351/206
 According to International Patent Classification (IPC) or to both national classification and IPC

B. FIELDS SEARCHED
 Minimum documentation searched (classification system followed by classification symbols)
 U.S. : 351/206, 211, 212, 221, 246; 128/904, 920, 923, 925
 Documentation searched other than minimum documentation to the extent that such documents are included in the fields searched

Electronic data base consulted during the international search (name of data base and, where practicable, search terms used)
 EAST, WEST

C. DOCUMENTS CONSIDERED TO BE RELEVANT

Category *	Citation of document, with indication, where appropriate, of the relevant passages	Relevant to claim No.
A, P	US 6,305,804 B1 (RICE et al) 23 October 2001, see entire document.	1-23
A	US 5,943,116 A (ZEIMER) 24 August 1999, see entire document.	1-23

Further documents are listed in the continuation of Box C. See patent family annex.

* Special categories of cited documents:	
"A" document defining the general state of the art which is not considered to be of particular relevance	"T" later document published after the international filing date or priority date and not in conflict with the application but cited to understand the principle or theory underlying the invention
"E" earlier application or patent published on or after the international filing date	"X" document of particular relevance; the claimed invention cannot be considered novel or cannot be considered to involve an inventive step when the document is taken alone
"L" document which may throw doubts on priority claim(s) or which is cited to establish the publication date of another citation or other special reason (as specified)	"Y" document of particular relevance; the claimed invention cannot be considered to involve an inventive step when the document is combined with one or more other such documents, such combination being obvious to a person skilled in the art
"O" document referring to an oral disclosure, use, exhibition or other means	"&" document member of the same patent family
"P" document published prior to the international filing date but later than the priority date claimed	

Date of the actual completion of the international search: 16 July 2002 (16.07.2002)
 Date of mailing of the international search report: 19 DEC 2002

Name and mailing address of the ISA/US: Commissioner of Patents and Trademarks, Box PCT, Washington, D.C. 20231, Facsimile No. (703)305-3230
 Authorized officer: George Manuel, Telephone No. (703) 308-0858