



(12) **United States Design Patent**  
**Asquith et al.**

(10) **Patent No.:** **US D1,008,929 S**  
(45) **Date of Patent:** **\*\* Dec. 26, 2023**

- (54) **TRUCK BED FRAME ASSEMBLY**
- (71) Applicant: **Rhino Rack Australia Pty Limited**,  
Eastern Creek (AU)
- (72) Inventors: **Warren Asquith**, Mount Annan (AU);  
**William Davis**, Lugarno (AU); **Sam Whelan**, Cronulla (AU)
- (73) Assignee: **Rhino Rack Australia Pty Limited**,  
Eastern Creek (AU)
- (\*\*) Term: **15 Years**
- (21) Appl. No.: **29/827,551**
- (22) Filed: **Feb. 21, 2022**

**Related U.S. Application Data**

- (62) Division of application No. 29/733,182, filed on Apr. 30, 2020, now Pat. No. Des. 947,750.

**Foreign Application Priority Data**

- Oct. 31, 2019 (AU) ..... 201916231
- Oct. 31, 2019 (AU) ..... 201916232
- (51) **LOC (14) Cl.** ..... **12-16**
- (52) **U.S. Cl.**  
USPC ..... **D12/406**
- (58) **Field of Classification Search**  
USPC ..... D12/401, 402, 403, 404, 405, 406, 407,  
D12/408, 409, 410, 412, 413, 414, 414.1;  
D32/35, 58; D6/317, 318, 319  
CPC .... B60R 9/00; B60R 9/02; B60R 9/04; B60R  
9/042; B60R 9/0423; B60R 9/0426; B60R  
9/045; B60R 9/048; B60R 9/0485; B60R  
9/05; B60R 9/052; B60R 9/058; B60R  
9/06; B60R 9/08; B60R 9/10; B60R 9/12;  
B60R 2011/0042; B60R 11/00; B60P  
7/06; B60P 7/0815; B60P 3/40; B62D  
33/0207

See application file for complete search history.

(56) **References Cited**  
U.S. PATENT DOCUMENTS

- 3,253,755 A 5/1966 Bott
- 3,273,768 A 9/1966 Duer
- D300,813 S 4/1989 Kamaya
- 5,314,104 A 5/1994 Lee
- 5,494,327 A 2/1996 Derecktor
- 5,848,743 A 12/1998 Derecktor
- D496,323 S 9/2004 Buseman
- 7,296,837 B2 11/2007 Niedziela

(Continued)

**OTHER PUBLICATIONS**

Reconn-Deck Pioneer Platform Truck Bed System, Published date unavailable [online], [retrieved on Apr. 15, 2023]. Retrieved from the Internet: <https://www.apexoverland.com/shop/Rhino-Rack-RECONN-DECK-PIONEER-PLATFORM-TRUCK-BED-SYSTEM-60-X-56-UNASSEMBLED-p494565288> (Year: 2023).\*

(Continued)

*Primary Examiner* — Cary M Robinson  
*Assistant Examiner* — Adam C Mager  
(74) *Attorney, Agent, or Firm* — Law Office of Bill Naifeh

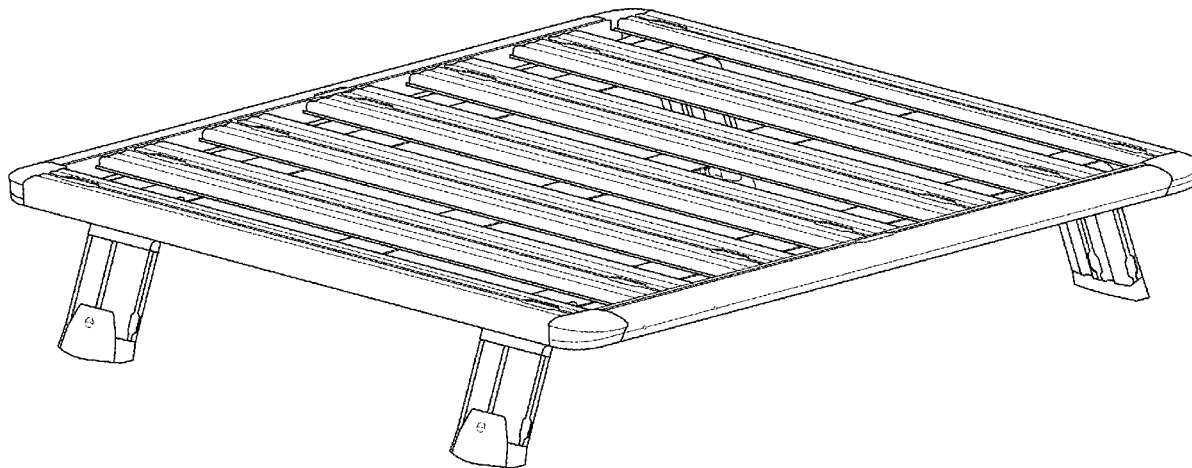
(57) **CLAIM**

We claim the ornamental design for a truck bed frame assembly, as substantially shown and described.

**DESCRIPTION**

FIG. 1 is a perspective view of the truck bed frame assembly;  
FIG. 2 is a left side view thereof and is a mirror image of the right side view;  
FIG. 3 is a top view thereof;  
FIG. 4 is a front view thereof and is a mirror image of the back view; and,  
FIG. 5 is a bottom view thereof.

**1 Claim, 5 Drawing Sheets**



(56)

References Cited

U.S. PATENT DOCUMENTS

D582,337 S 12/2008 Derecktor  
 7,464,977 B1 12/2008 Price  
 8,668,125 B2 3/2014 Williams  
 9,132,784 B2 9/2015 Harrison  
 D815,581 S \* 4/2018 Anderson ..... D12/406  
 D856,262 S \* 8/2019 Marankie ..... D12/412  
 10,421,385 B2 9/2019 Chambers  
 D865,645 S \* 11/2019 Wissiak ..... D12/412  
 10,543,790 B2 1/2020 Marr  
 D879,013 S \* 3/2020 Connellan ..... D12/412  
 D881,791 S 4/2020 Ni  
 D890,684 S \* 7/2020 Ekstrom ..... D12/406  
 D893,397 S \* 8/2020 Ekstrom ..... D12/406  
 D902,127 S \* 11/2020 Ajam ..... D12/412  
 D905,616 S 12/2020 Badillo  
 10,940,803 B2 3/2021 Ni  
 D921,568 S 6/2021 Xia  
 D930,554 S \* 9/2021 Voss ..... D12/412  
 D932,983 S \* 10/2021 Toyoshima ..... D12/412  
 D946,491 S \* 3/2022 Wissiak ..... D12/412  
 D947,750 S \* 4/2022 Asquith ..... D12/406  
 D995,403 S \* 8/2023 Park ..... D12/412  
 2004/0211802 A1 10/2004 Levi  
 2004/0232718 A1 11/2004 Kerns  
 2008/0100075 A1 5/2008 Derecktor  
 2009/0026784 A1 1/2009 Green

2010/0072237 A1 3/2010 Green  
 2010/0288808 A1 11/2010 Marr  
 2013/0229025 A1 9/2013 Johnasen  
 2014/0034693 A1 2/2014 Perry  
 2015/0258940 A1 9/2015 Breeden, III  
 2017/0028931 A1 2/2017 Arvidsson  
 2018/0326915 A1\* 11/2018 Dickinson ..... B60R 9/045  
 2019/0367101 A1 12/2019 McFadden  
 2019/0375337 A1 12/2019 Gauci  
 2020/0223371 A1\* 7/2020 Menegazzo ..... B60R 9/048  
 2020/0406826 A1 12/2020 Ni  
 2020/0406827 A1 12/2020 Ni

OTHER PUBLICATIONS

Yakima Outpost HD Bed Rack, Published dated unavailable [online], <https://www.northridge4x4.com/part/jtpkg-yakima-bed-rack-package> (2021).  
 Syneticusa Truck Bed Rack, published Nov. 5, 2020 [online], [https://www.amazon.com/Syneticusa-Overhaul-Adjustable-Compatible-Silverado/dp/B08MSXYFHP/ref=sr\\_1\\_1?dchild=1&keywords=B08MSXYFHP&qid=1623710599&s=automotive&sr=1-1](https://www.amazon.com/Syneticusa-Overhaul-Adjustable-Compatible-Silverado/dp/B08MSXYFHP/ref=sr_1_1?dchild=1&keywords=B08MSXYFHP&qid=1623710599&s=automotive&sr=1-1) (2020).  
 New Rhino-Rack Truck Bed Rack, published Nov. 8, 2019 [online], retrieved on Jun. 14, 2021, from <https://www.rackoutfitters.com/blog/first-look-new-rhinorack-mid-and-full-height-pickup-truck-bed-racks/>, 2019.

\* cited by examiner

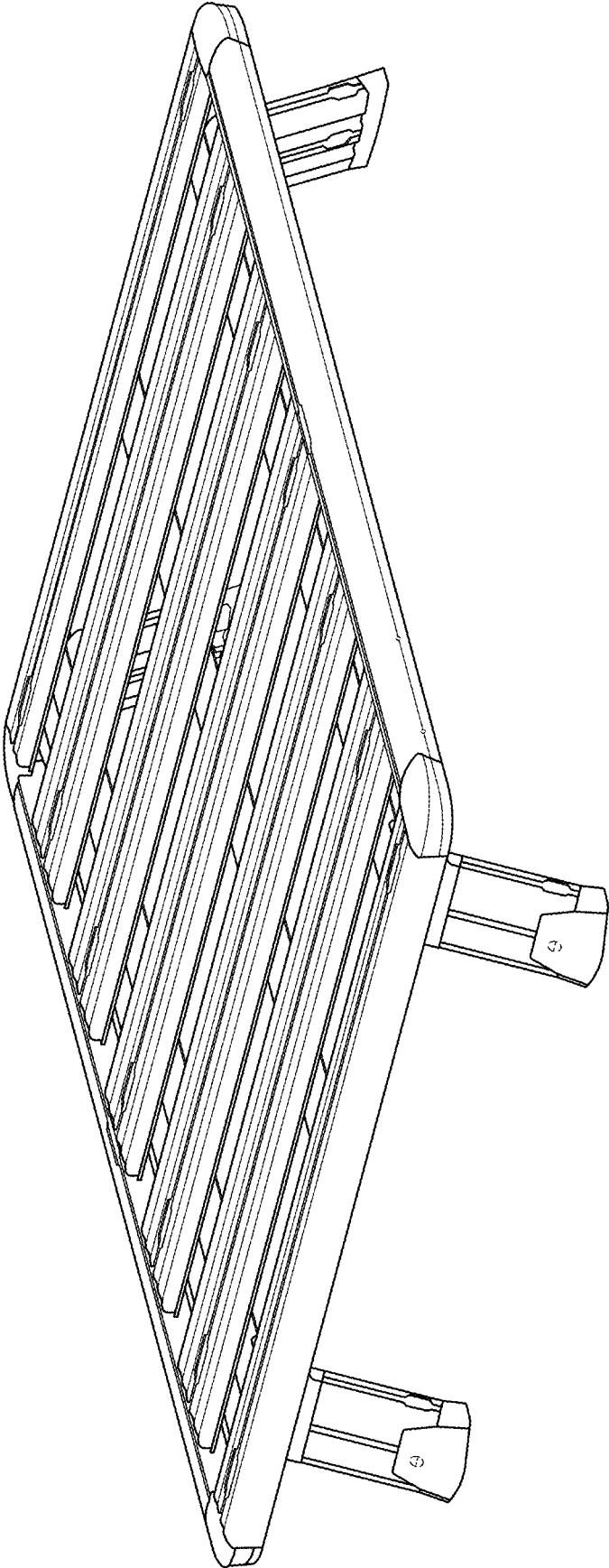


FIG. 1

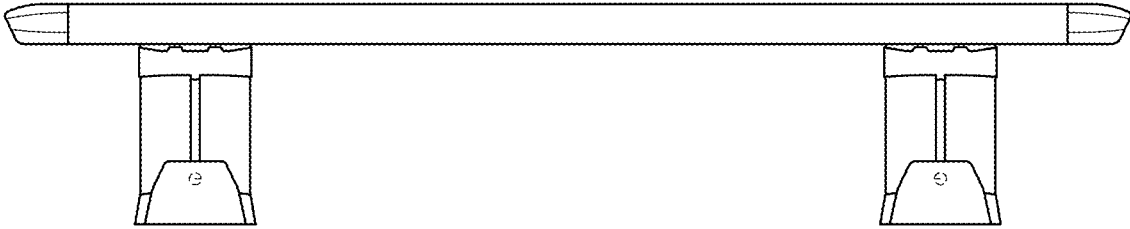


FIG. 2

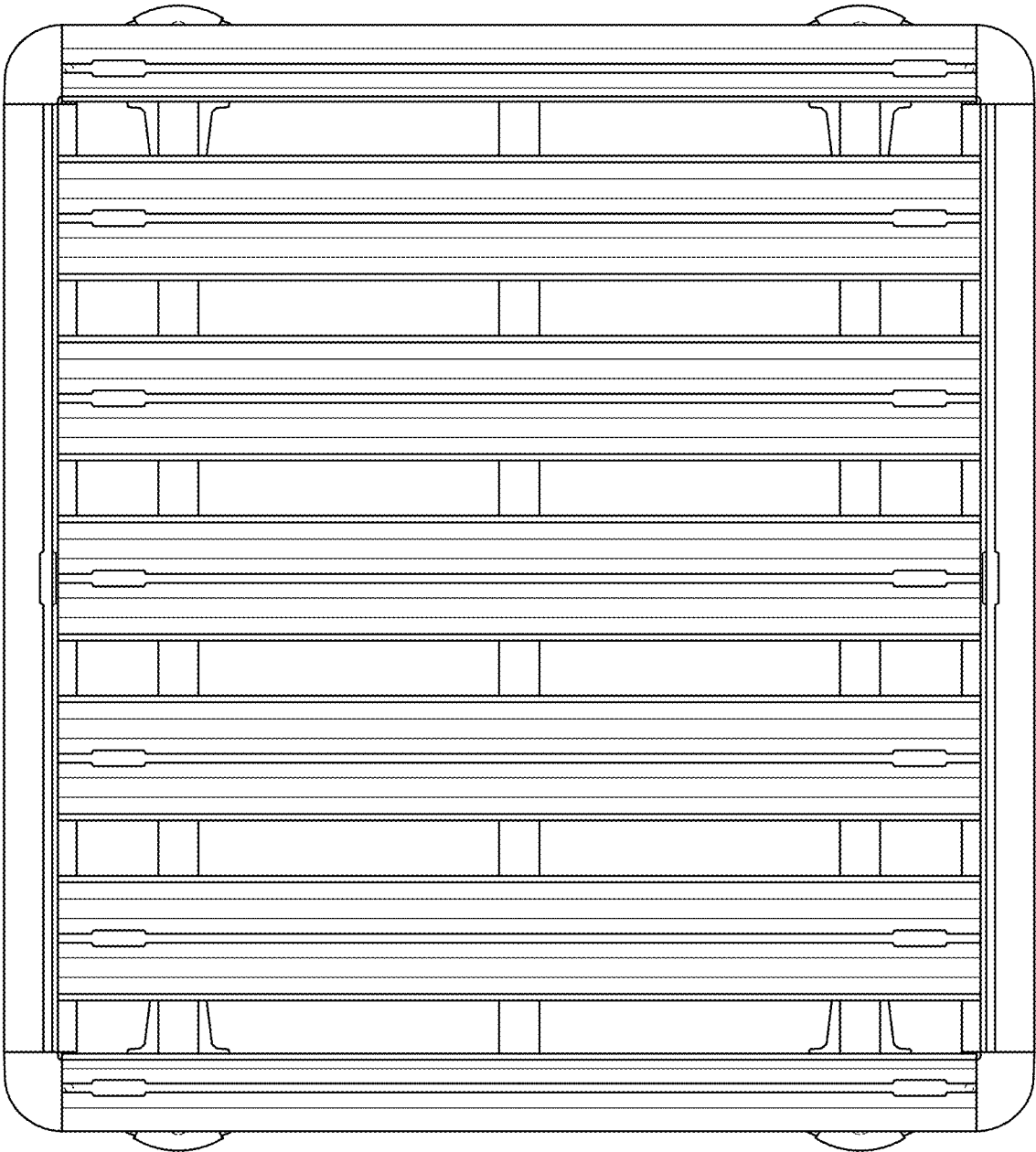


FIG. 3

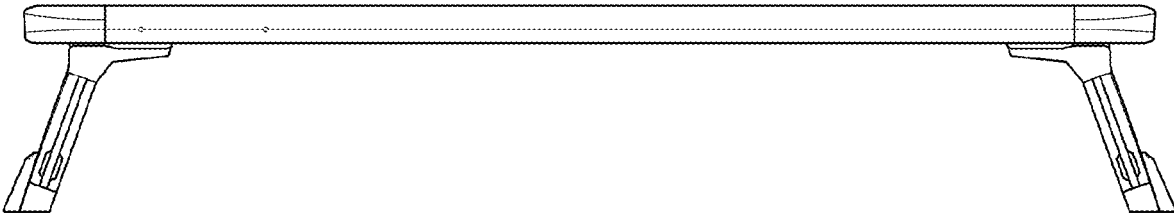


FIG. 4

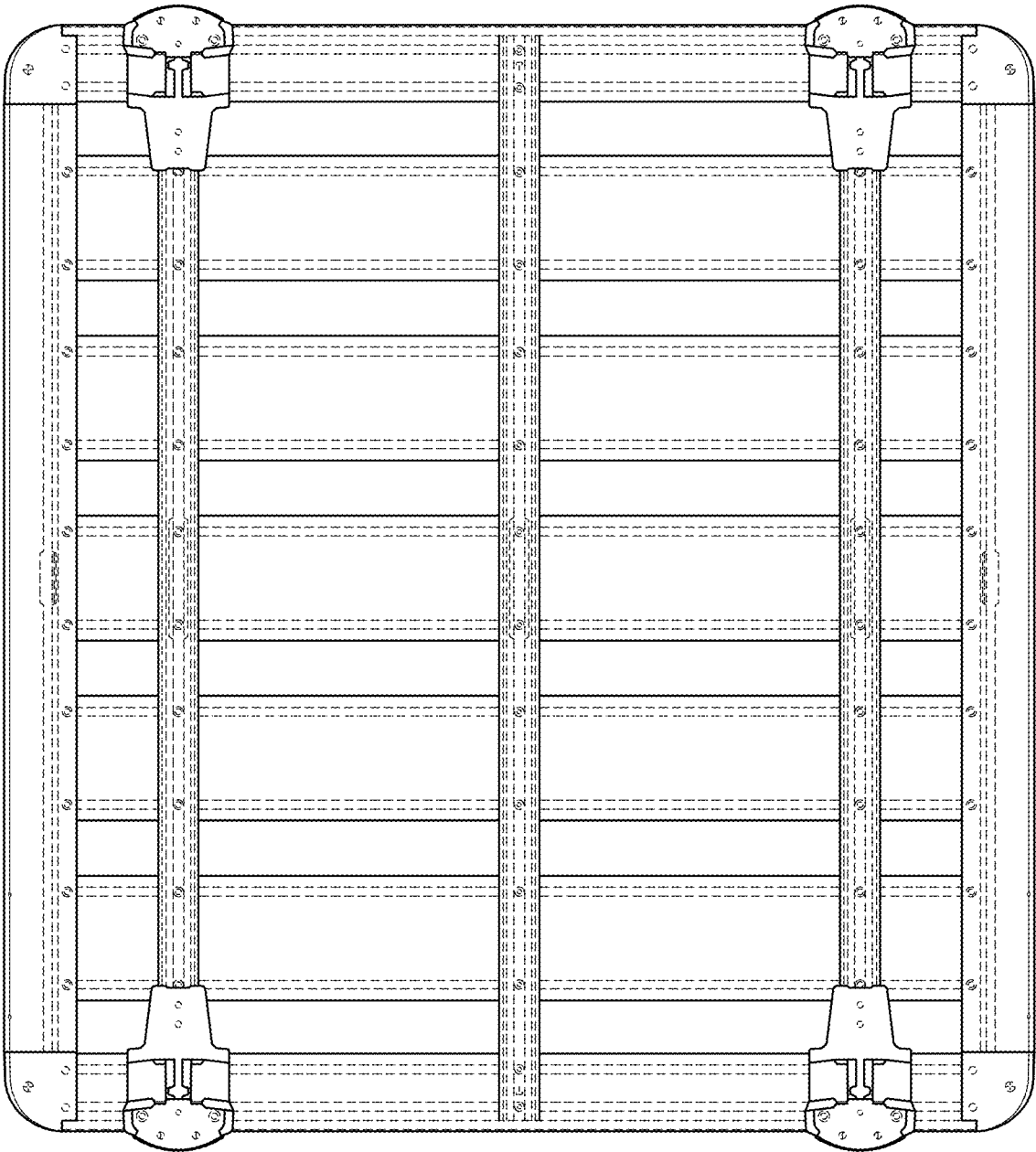


FIG. 5