



US00D702147S

(12) **United States Design Patent**
Winkler

(10) **Patent No.:** **US D702,147 S**

(45) **Date of Patent:** **** Apr. 8, 2014**

(54) **BUOY**

Primary Examiner — George D Kirschbaum

(71) Applicant: **Wisn Offshore & Marine (USA), Inc.**,
Houston, TX (US)

(74) *Attorney, Agent, or Firm* — Petterson & Sheridan, LLP

(72) Inventor: **Daniel Urs Winkler**, Richmond, TX
(US)

(57) **CLAIM**

The ornamental design for a buoy, as shown and described.

(73) Assignee: **Wisn Offshore & Marine (USA), Inc.**,
Houston, TX (US)

(**) Term: **14 Years**

(21) Appl. No.: **29/440,134**

(22) Filed: **Dec. 19, 2012**

Related U.S. Application Data

(62) Division of application No. 29/399,508, filed on Aug.
15, 2011, now Pat. No. Des. 682,132.

(51) **LOC (10) Cl.** **10-05**

(52) **U.S. Cl.** **D10/107**
USPC

(58) **Field of Classification Search**
USPC D10/107; 441/1, 5
See application file for complete search history.

(56) **References Cited**

U.S. PATENT DOCUMENTS

4,279,047	A	*	7/1981	van Heijst	441/5
D310,180	S	*	8/1990	Etkin	D10/107
6,074,259	A	*	6/2000	Lastrajoli et al.	441/1
D602,389	S	*	10/2009	Gilman et al.	D10/107

* cited by examiner

DESCRIPTION

FIG. 1 is a top plan view of a first embodiment of a buoy showing my new design;

FIG. 2 is a front elevational view thereof;

FIG. 3 is a left side elevational view thereof;

FIG. 4 is a rear elevational view thereof;

FIG. 5 is a right side elevational view thereof;

FIG. 6 is a bottom plan view thereof;

FIG. 7 is a top plan view of a second embodiment of the buoy;

FIG. 8 is a front elevational view thereof;

FIG. 9 is a left side elevational view thereof;

FIG. 10 is a rear elevational view thereof;

FIG. 11 is a right side elevational view thereof;

FIG. 12 is a bottom plan view thereof;

FIG. 13 is a top plan view of a third embodiment of the buoy;

FIG. 14 is a front elevational view thereof;

FIG. 15 is a left side elevational view thereof;

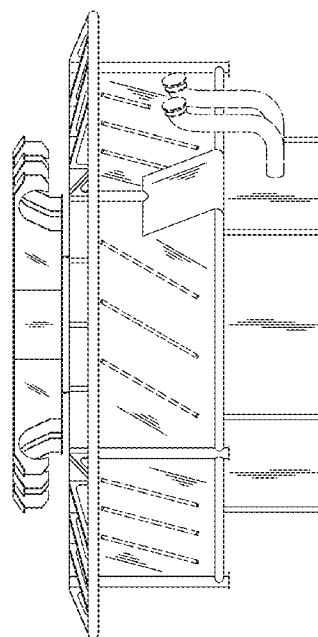
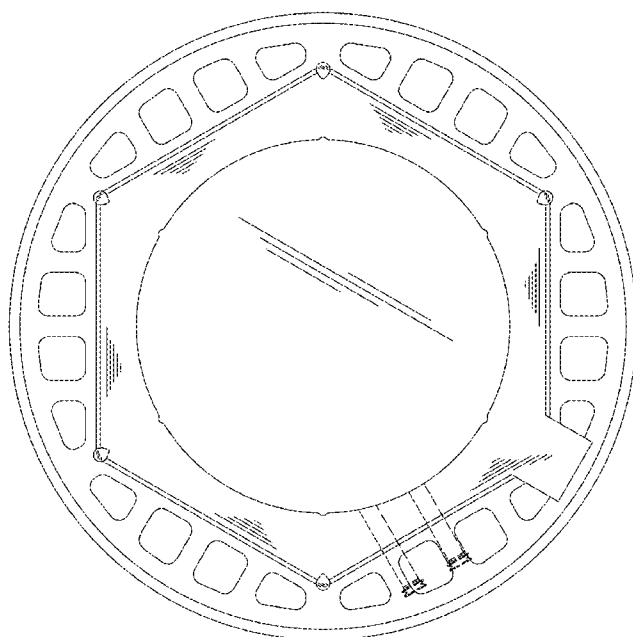
FIG. 16 is a rear elevational view thereof;

FIG. 17 is a right side elevational view thereof; and,

FIG. 18 is a bottom plan view thereof.

The broken lines shown in the drawings illustrate environmental structure and form no part of the claimed design.

1 Claim, 18 Drawing Sheets



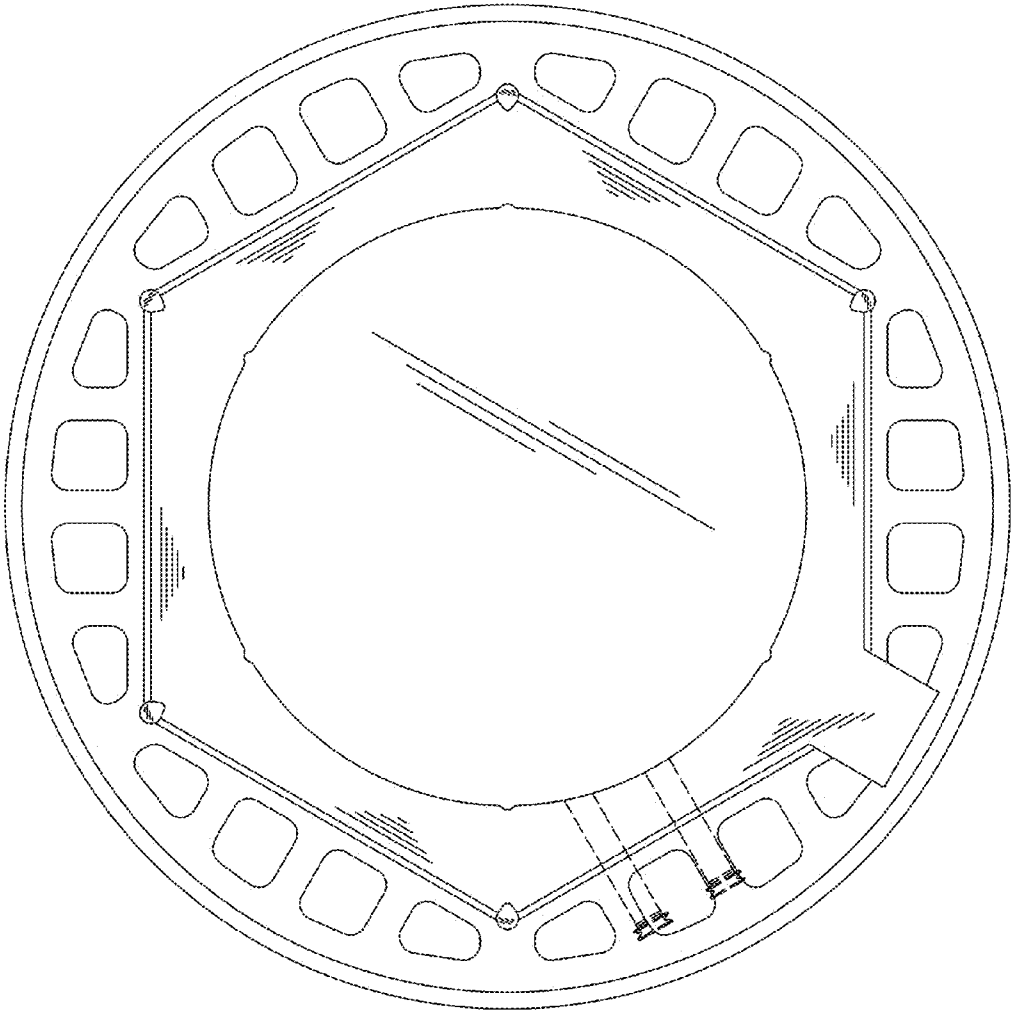


FIG. 1

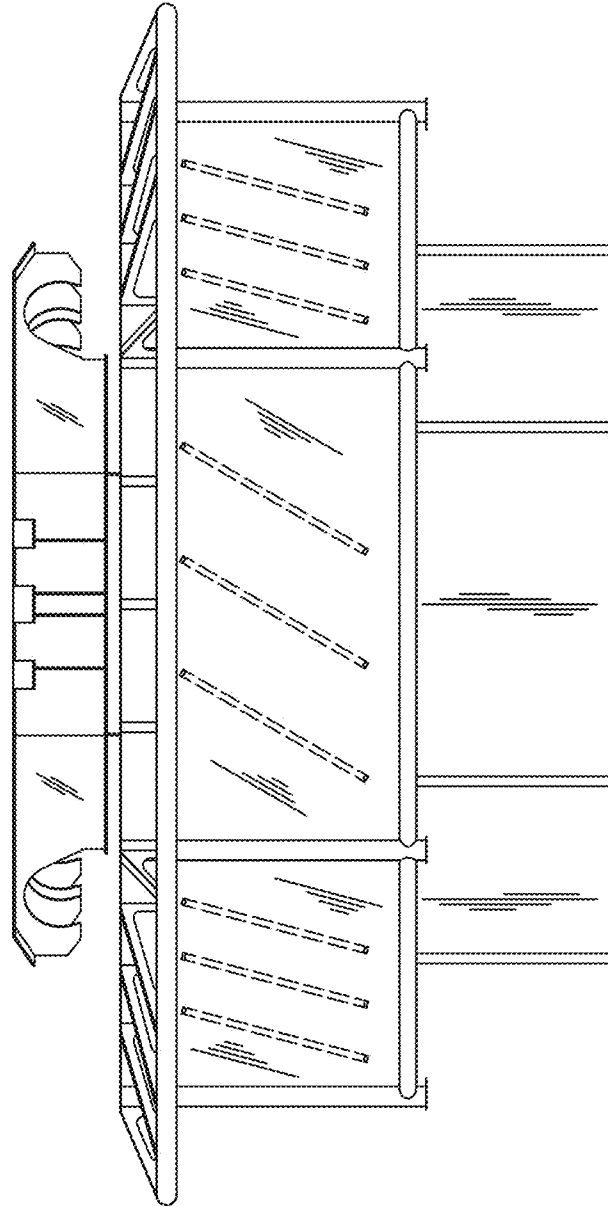


FIG. 2

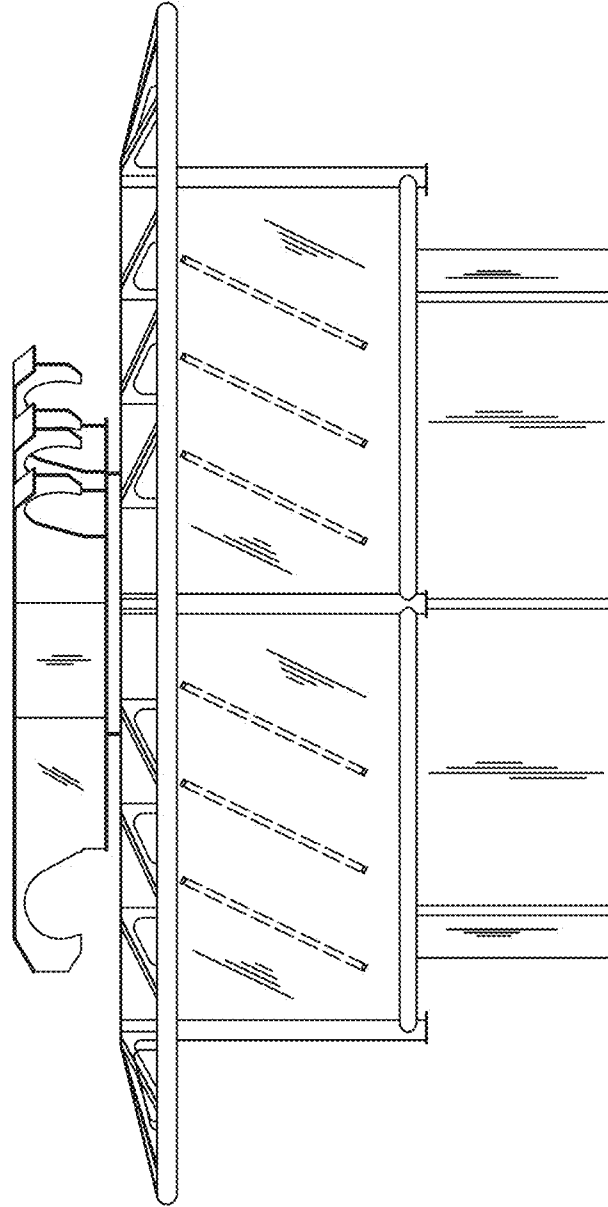


FIG. 3

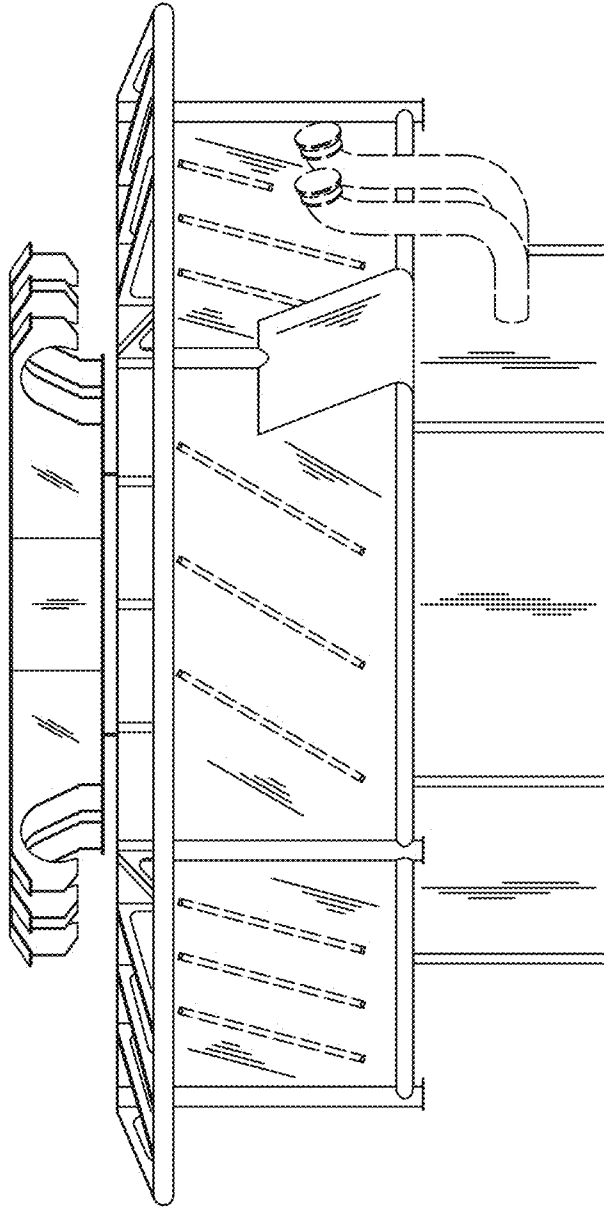


FIG. 4

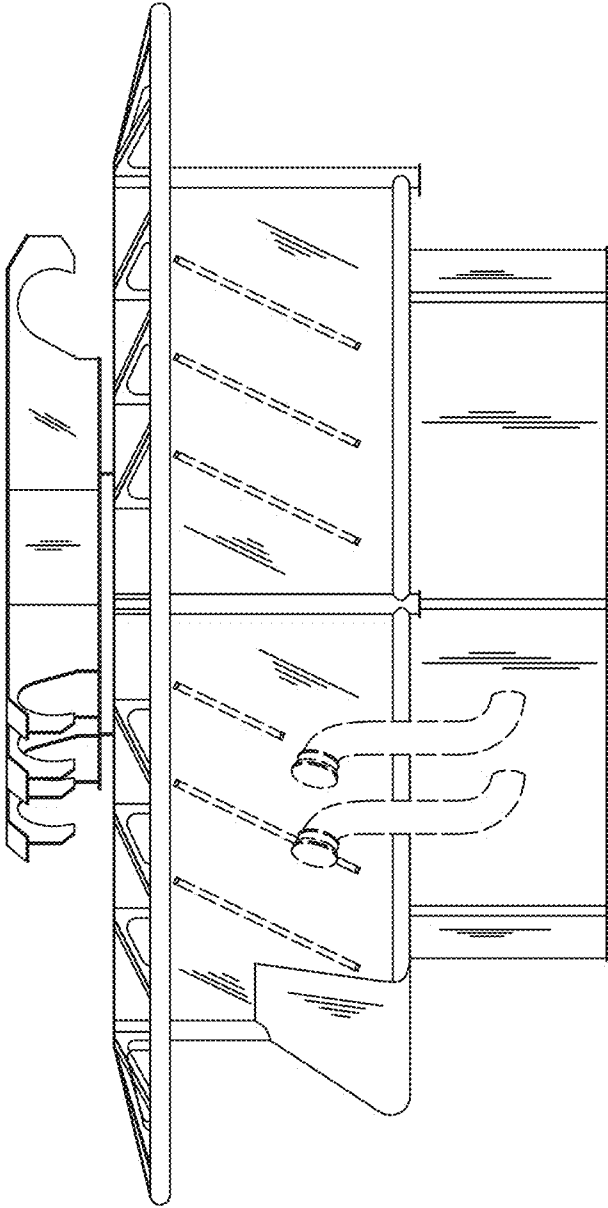


FIG. 5

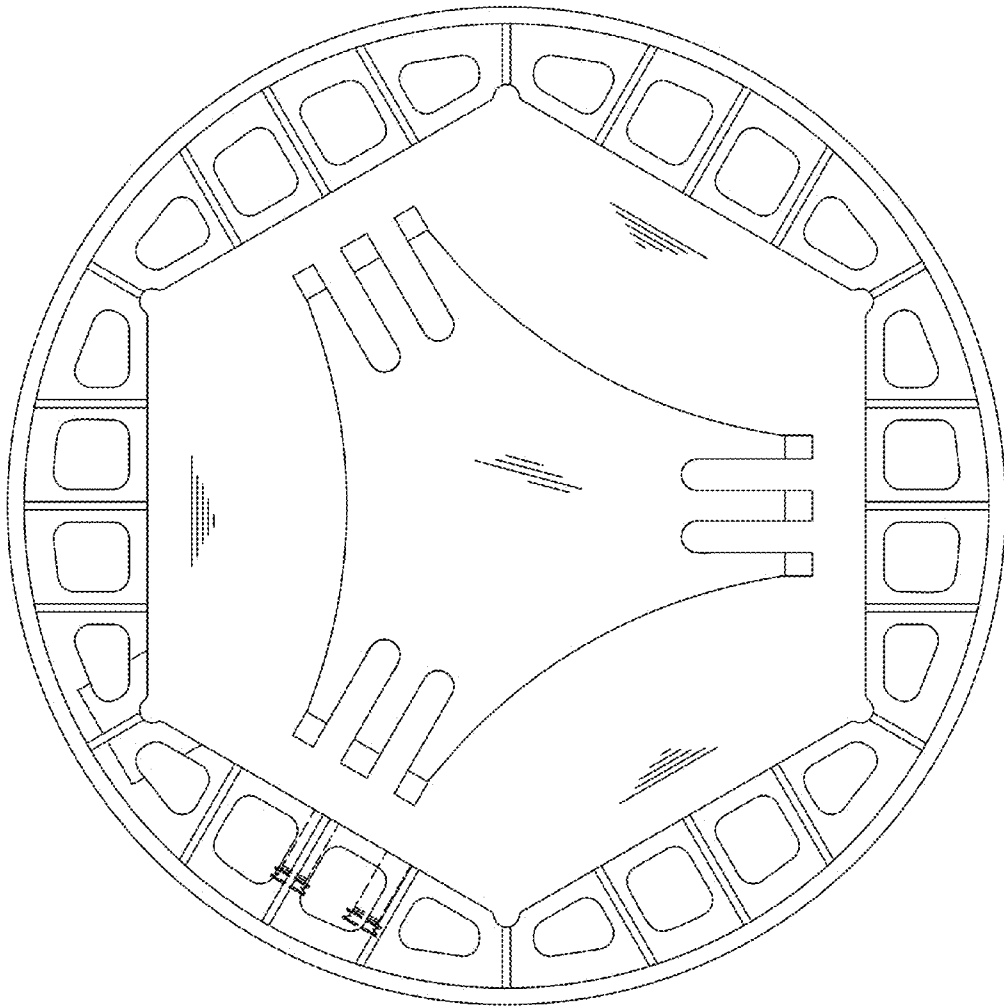


FIG. 6

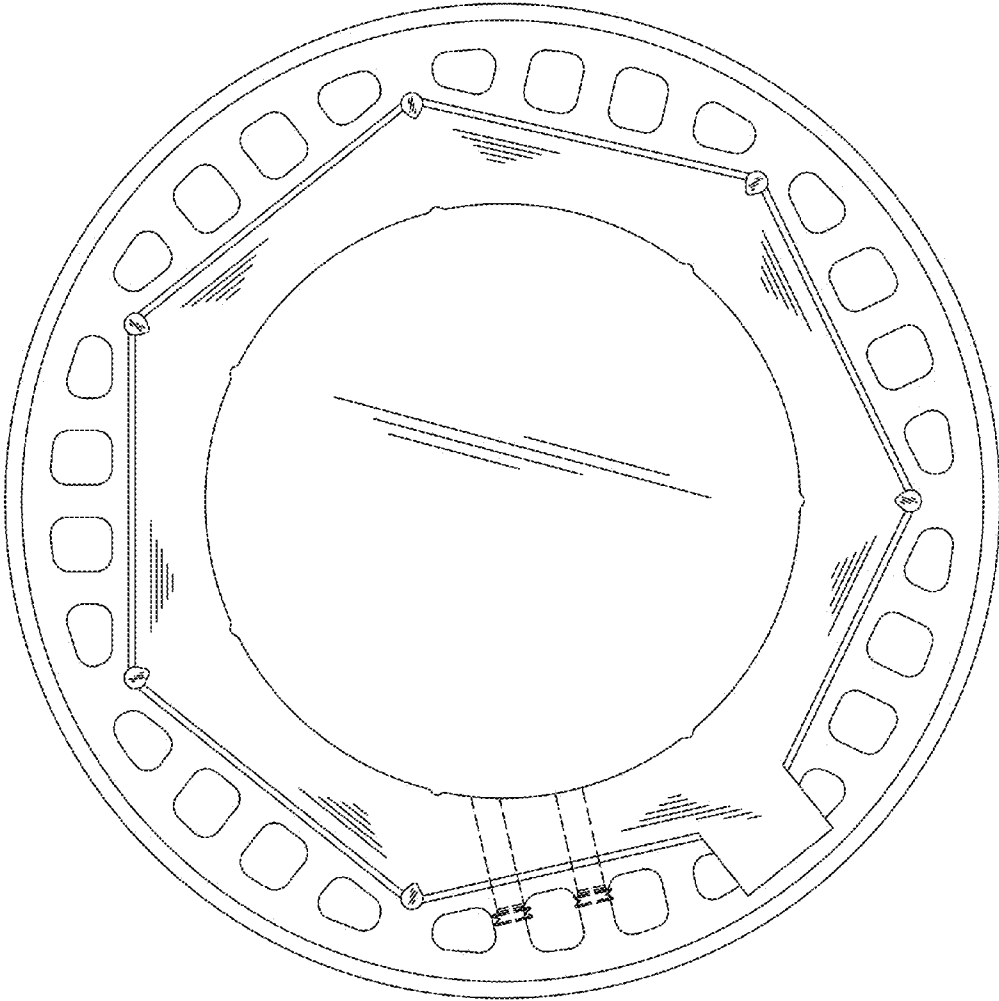


FIG. 7

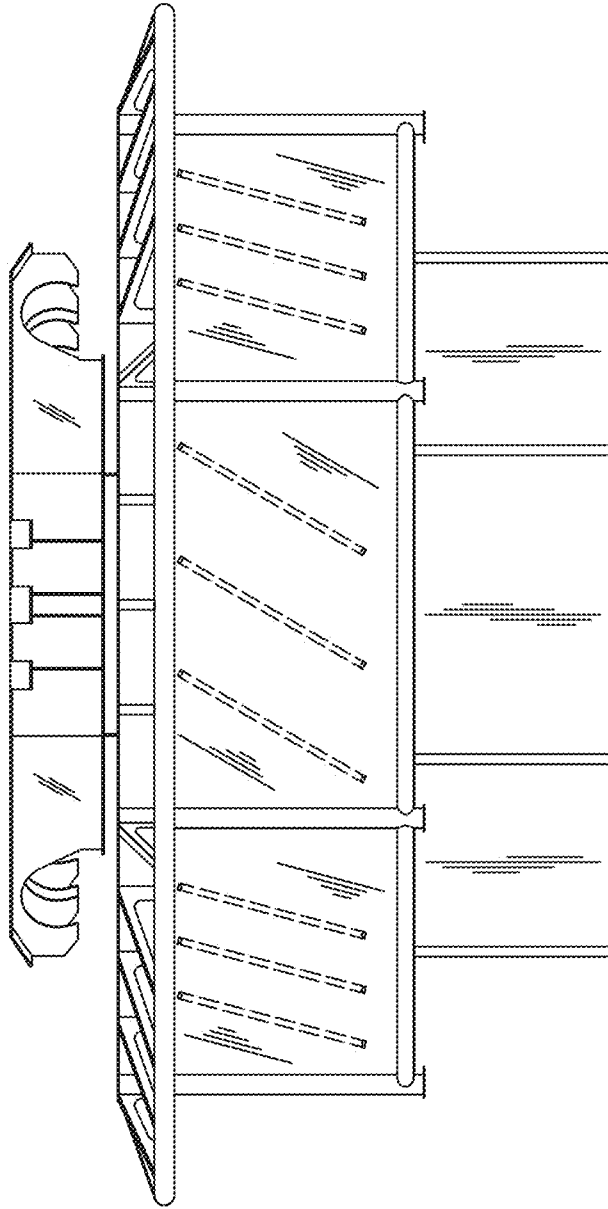


FIG. 8

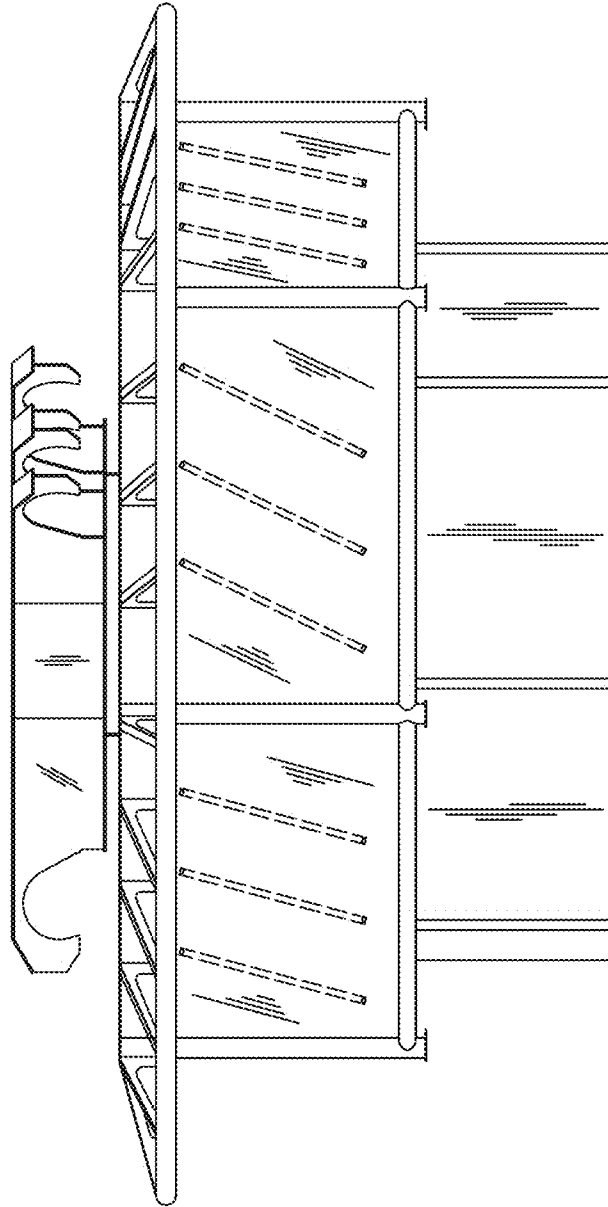


FIG. 9

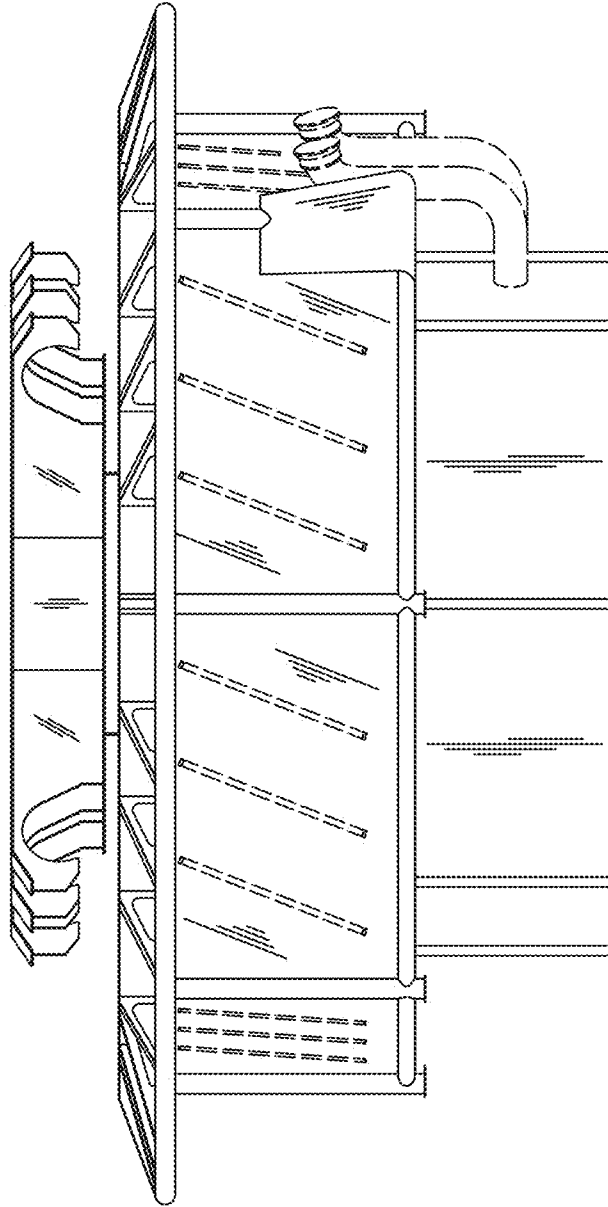


FIG. 10

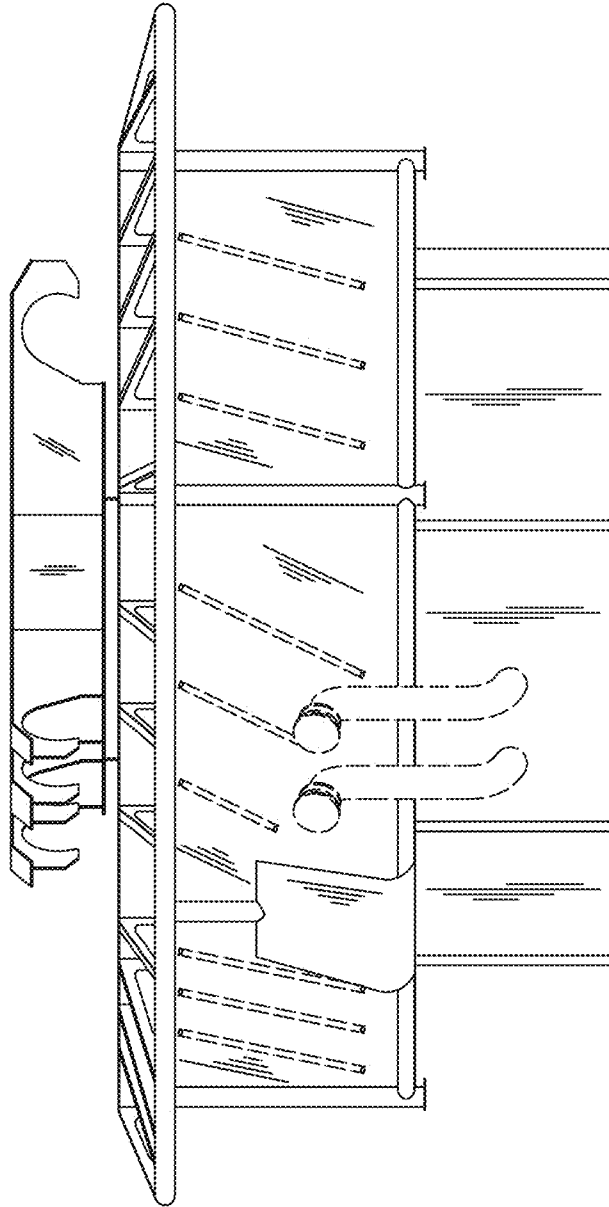


FIG. 11

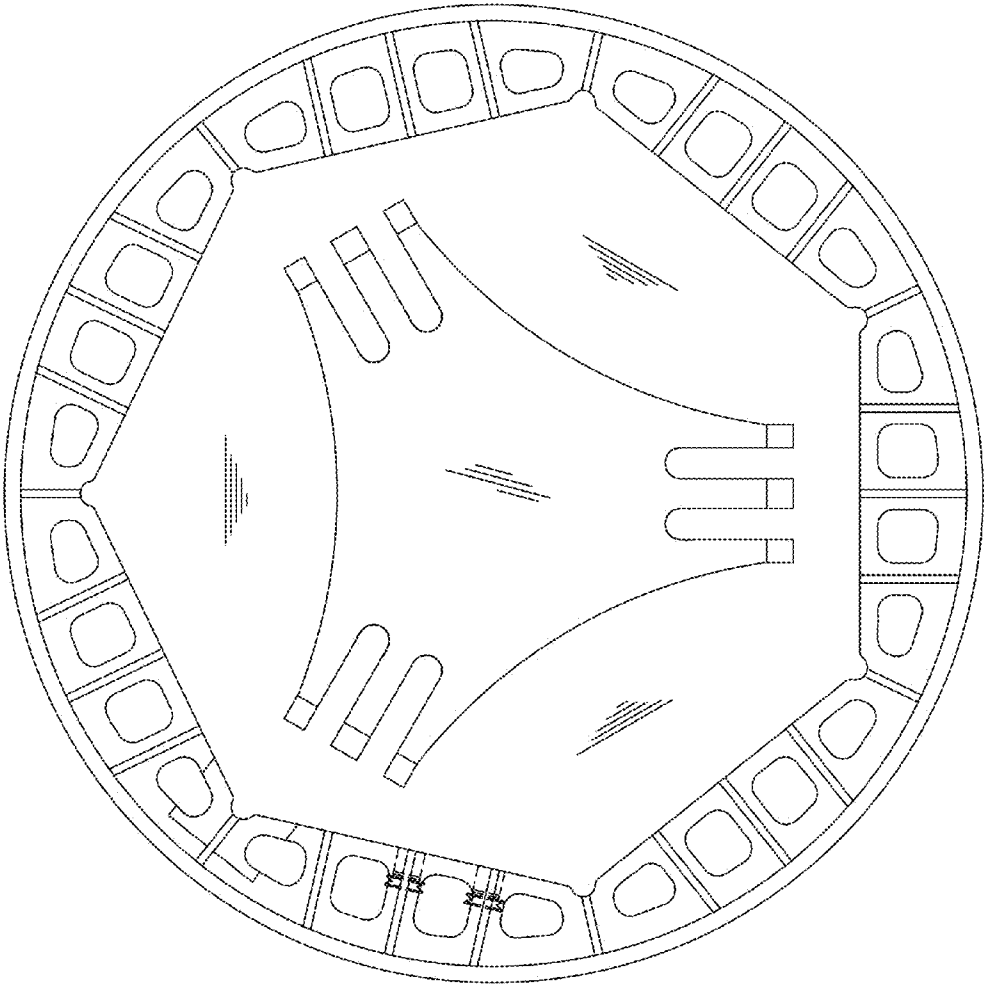


FIG. 12

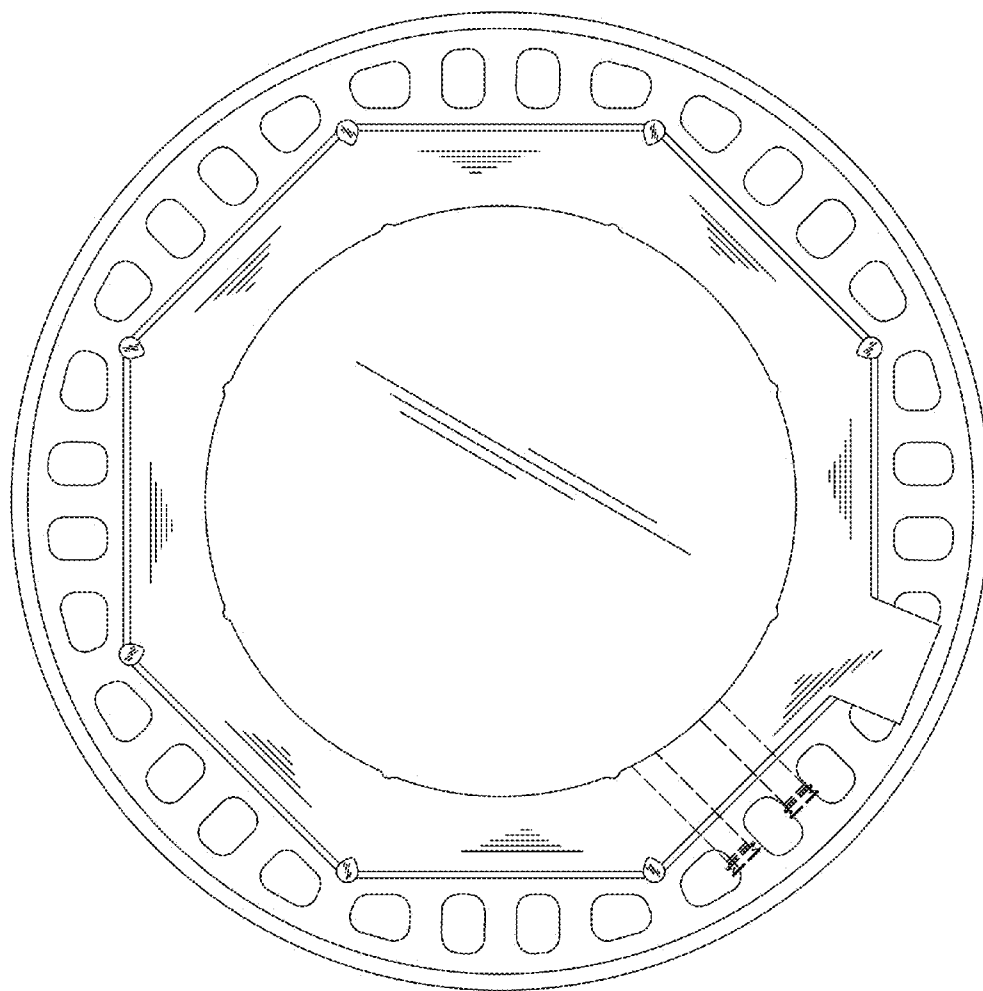


FIG. 13

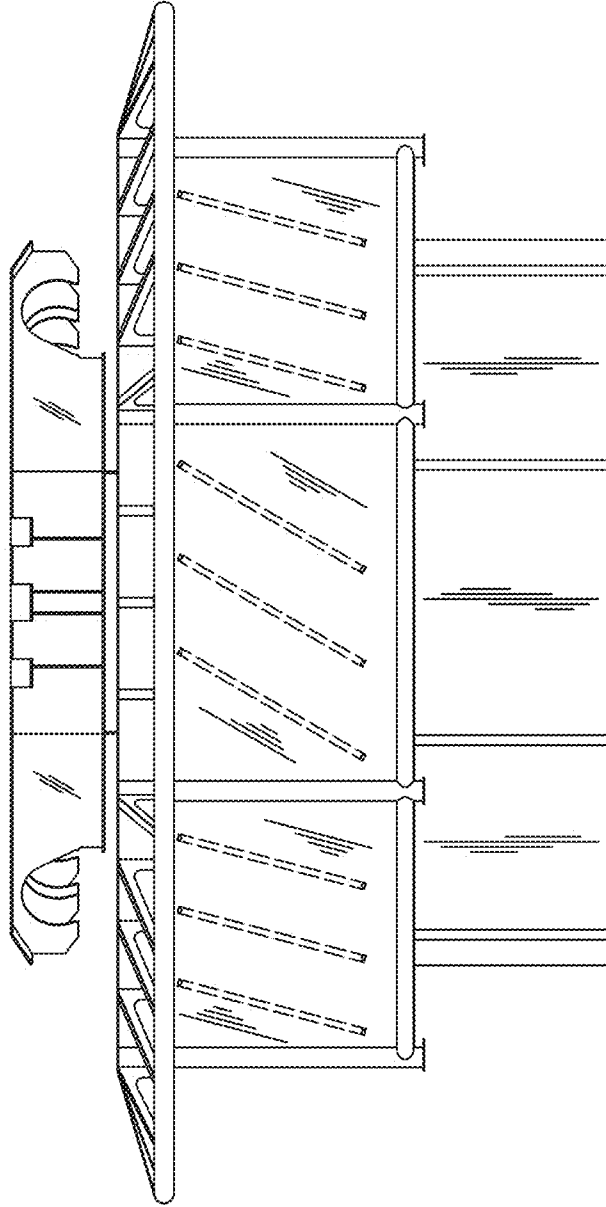


FIG. 14

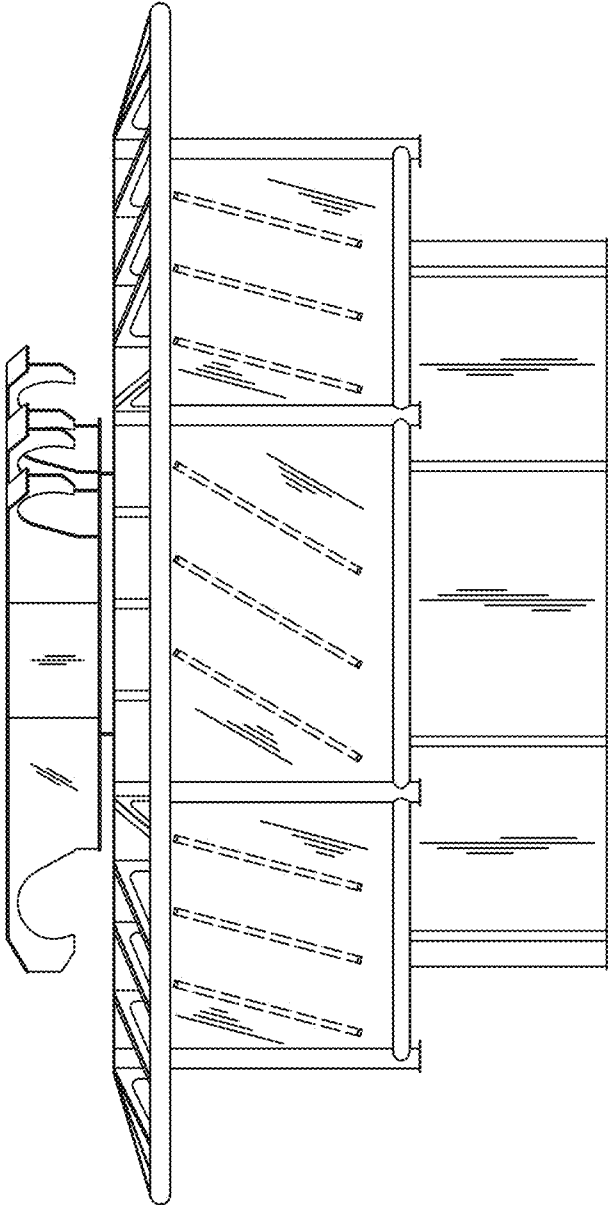


FIG. 15

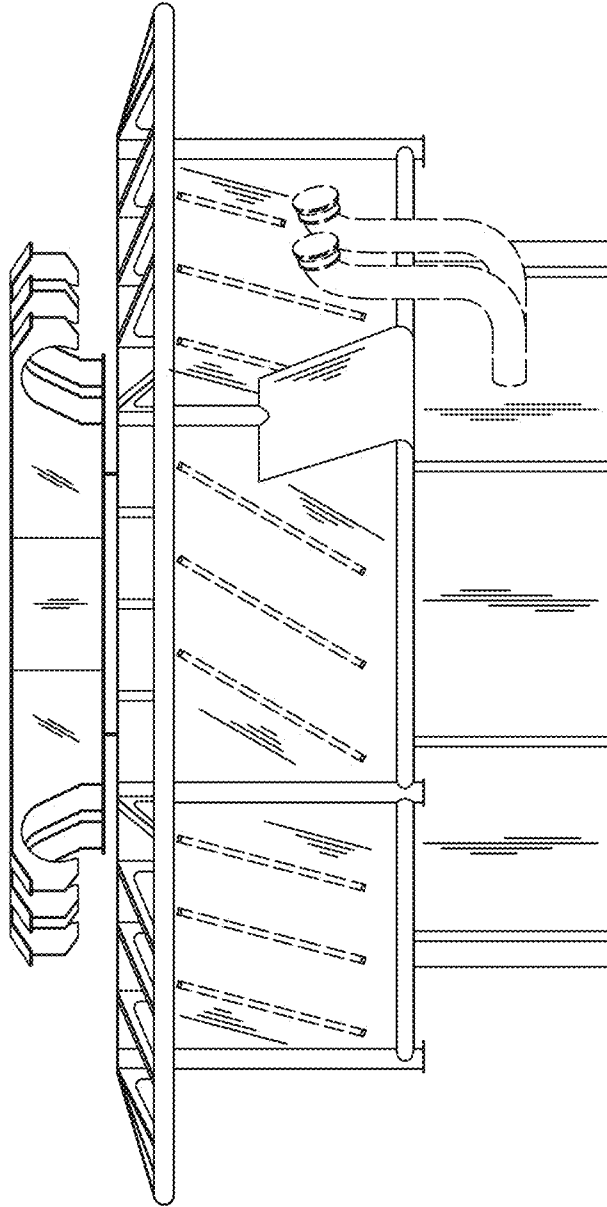


FIG. 16

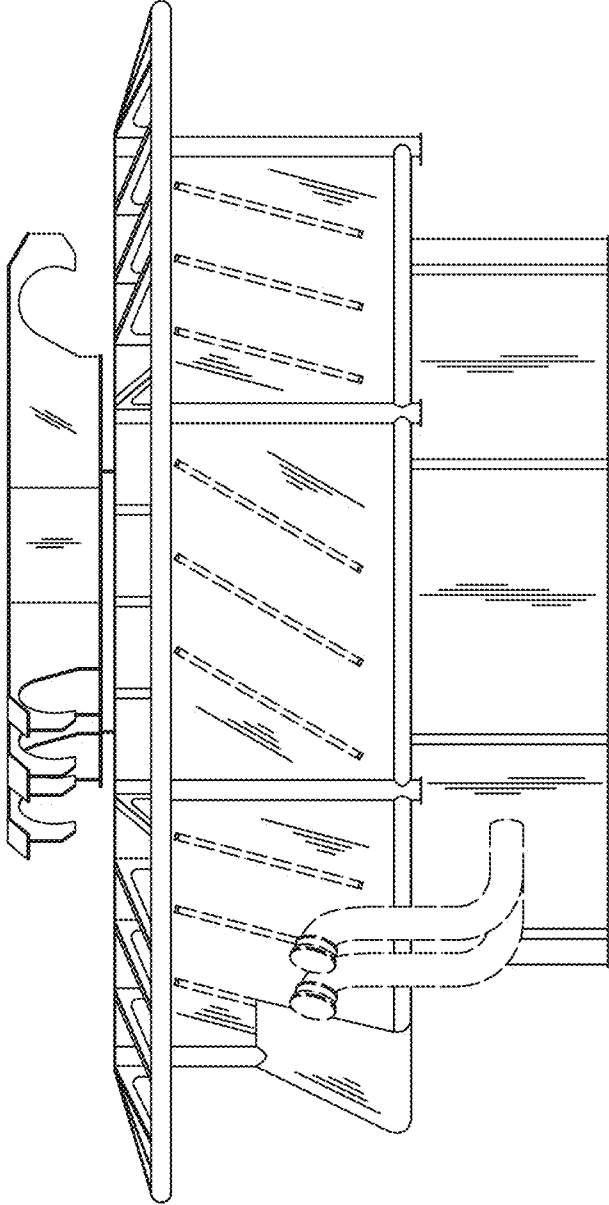


FIG. 17

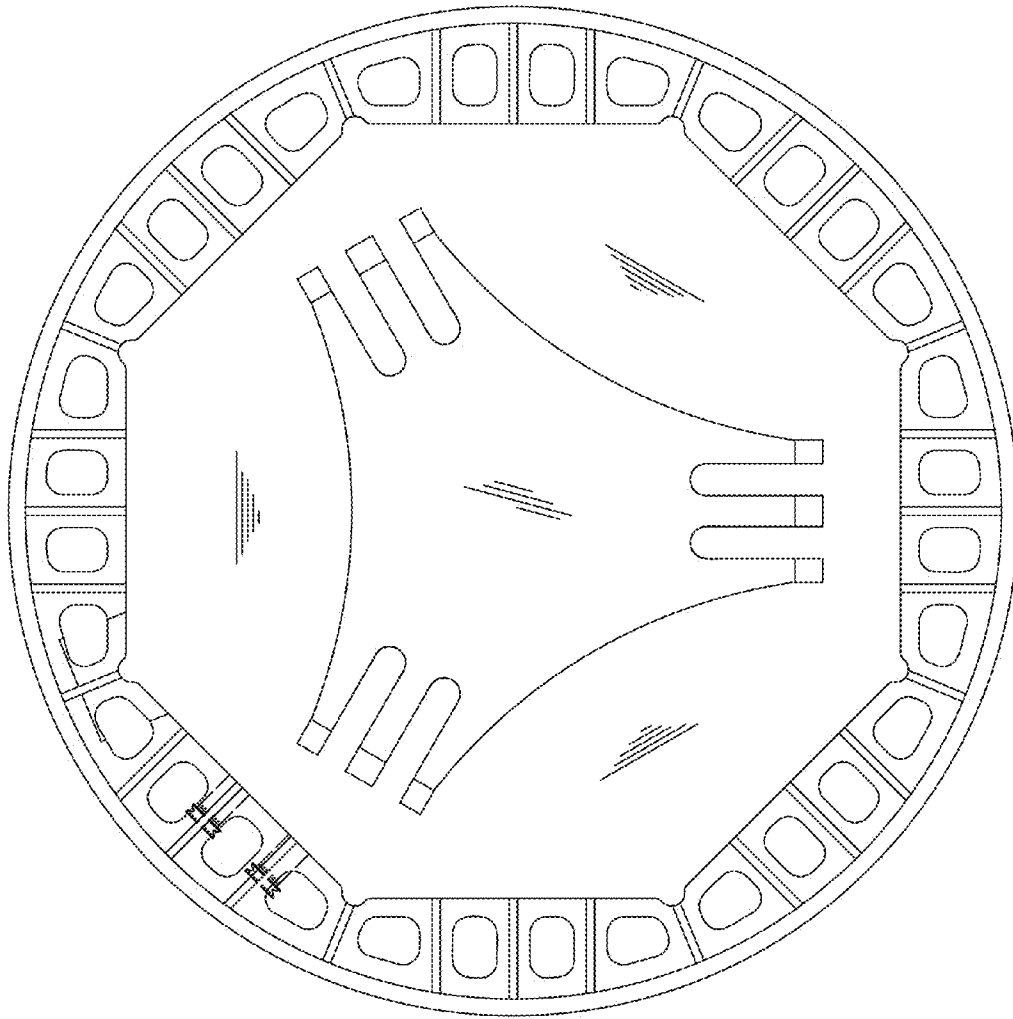


FIG. 18