



US0D1079152S

(12) **United States Design Patent**
Xiong

(10) **Patent No.:** **US D1,079,152 S**

(45) **Date of Patent:** **** Jun. 10, 2025**

(54) **CAT LITTER PAN SET**

FOREIGN PATENT DOCUMENTS

(71) Applicant: **LSCOLO(XIAMEN) HEALTH TECHNOLOGY CO., LTD.**, Xiamen (CN)

CN	308992076	*	12/2024
EM	015059124-0001	*	5/2024
EM	015060140-0001	*	5/2024
GB	6402975	*	11/2024
WO	WOD238337-001	*	7/2024

(72) Inventor: **Gaolin Xiong**, Xiamen (CN)

OTHER PUBLICATIONS

(73) Assignee: **LSCOLO(XIAMEN) HEALTH TECHNOLOGY CO., LTD.**, Xiamen (CN)

Stainless Steel Litter Box, Metal Cat XXL with Lid Extra Large Boxes for Big Cats, posted Jul. 3, 2024 [retrieved online Jan. 13, 2024]. Retrieved from internet, <https://www.amazon.ca/Stainless-Steel-Litterbox-Absorbent-Anti-Leakage/dp/B0D8PNXRC6> (Year: 2024).*

(**) Term: **15 Years**

(Continued)

(21) Appl. No.: **29/973,223**

Primary Examiner — Justin M Jonaitis
Assistant Examiner — Samantha K Pollack

(22) Filed: **Nov. 14, 2024**

(30) **Foreign Application Priority Data**

Oct. 25, 2024 (CN) 202430675884.5

(51) **LOC (15) Cl.** **30-11**

(57) **CLAIM**

(52) **U.S. Cl.**
USPC **D30/161**

The ornamental design for a cat litter pan set as shown and described.

(58) **Field of Classification Search**
USPC D30/161, 162, 199, 108, 171, 119, 118
CPC A01K 1/0107; A01K 1/011; A01K 1/0114;
A01K 1/0121
See application file for complete search history.

DESCRIPTION

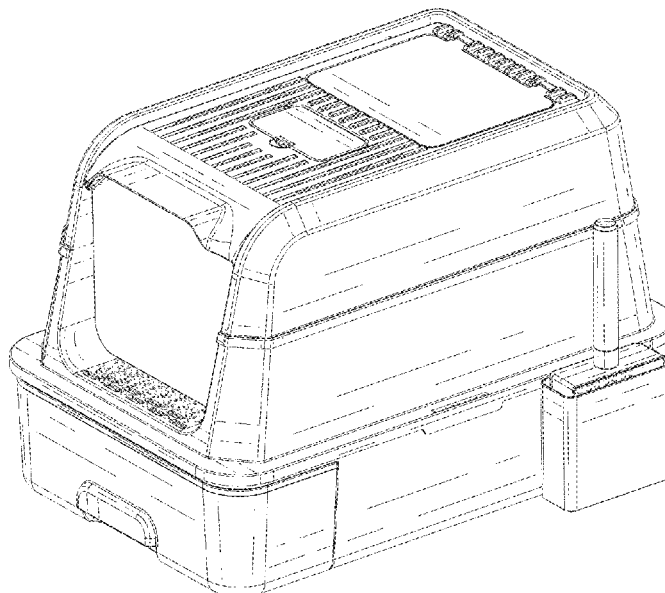
(56) **References Cited**

U.S. PATENT DOCUMENTS

D300,968 S	5/1989	Conner	
D591,463 S	4/2009	Plante	
D813,472 S	* 3/2018	Veness D30/161
D974,678 S	* 1/2023	Wu D30/161
D1,044,169 S	* 9/2024	Zeng D30/161
D1,052,198 S	* 11/2024	Zhang D30/161
D1,052,831 S	* 11/2024	Lu D30/161
2024/0324544 A1	* 10/2024	Peng A01K 1/0107

FIG. 1 is a front, right, top perspective view of a cat litter pan set showing my new design; FIG. 2 is a front view thereof; FIG. 3 is a back view thereof; FIG. 4 is a left view thereof; FIG. 5 is a right view thereof; FIG. 6 is a top view thereof; and, FIG. 7 is a bottom view thereof. The broken lines shown on the drawings depict portions of the cat litter pan set that form no part of the claimed design.

1 Claim, 7 Drawing Sheets



(56)

References Cited

OTHER PUBLICATIONS

Large Stainless Steel Cat Litter Box with Scoop and Mat Set—Odor, St—Osoeri, posted date unavailable [retrieved online Jan. 13, 2025]. Retrieved from internet, <https://osoeri.com/products/large-stainless-steel-cat-litter-box-with-scoop-and-mat-set-odor-stain-and-rust-resistant-easy-to-clean-white> (Year: 2025).*

Wrought Studio™ 81L Large Space Stainless Steel Cat Litter Box With Scoop & Mat, posted date unavailable [retrieved online Jan. 13, 2025]. Retrieved from internet, <https://www.wayfair.com/pet/pdp/wrought-studio-81l-large-space-stainless-steel-cat-litter-box-with-scoop-mat-odor-removal-anti-leakage-enclosed-w111492702.html?pid=906041765> (Year: 2025).*

Baming Closed Stainless Steel Cat Litter Box Easy To Clean Anti Splash, posted Jun. 23, 2024 [retrieved online Jan. 13, 2025]. Retrieved from internet, https://www.alibaba.com/product-detail/Baming-Closed-Stainless-Steel-Cat-Litter_1601195026099.html (Year: 2024).*

2in1 XL Cat Litter Box Kitty Enclosed Stainless Steel Potty Pan, posted date unavailable [retrieved online Jan. 13, 2025]. Retrieved from internet, <https://www.bigw.com.au/product/2in1-xl-cat-litter-box-kitty-enclosed-stainless-steel-potty-pan-semi-covered-toilet-modular-tray-high-sided-furniture-with-abs-lid-carbon-filters/p/9900414582> (Year: 2025).*

* cited by examiner

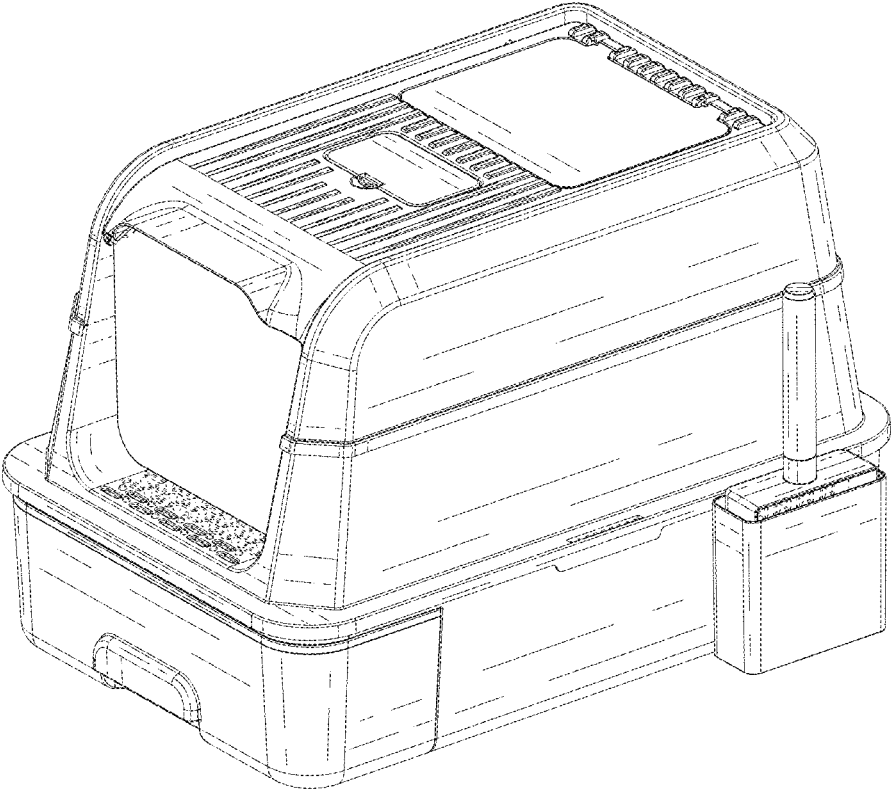


FIG. 1

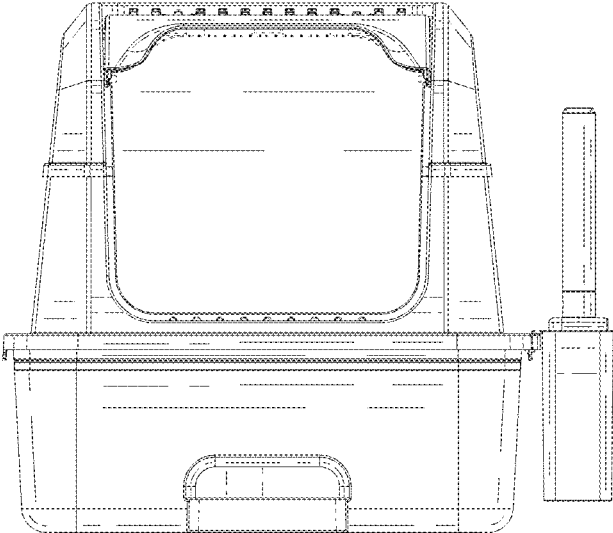


FIG. 2

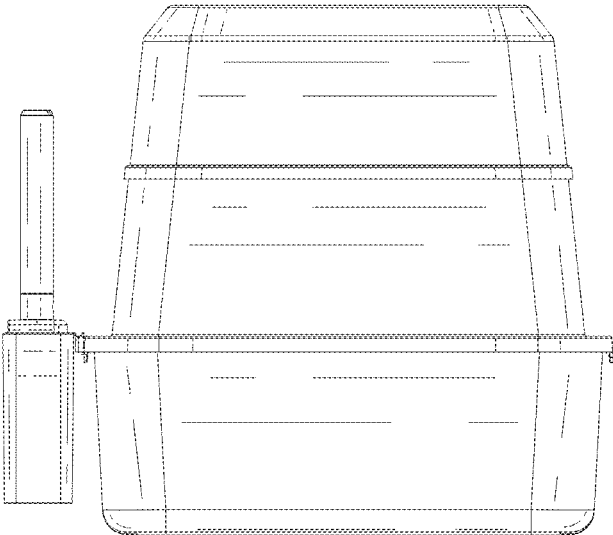


FIG. 3

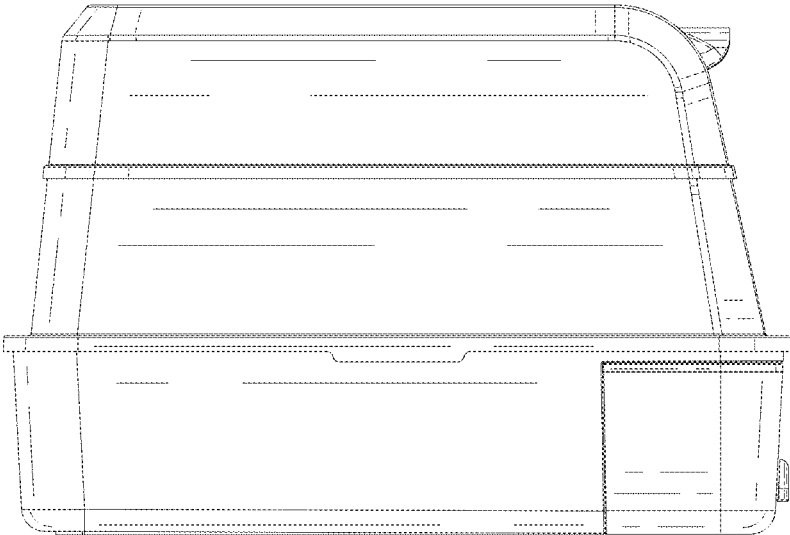


FIG. 4

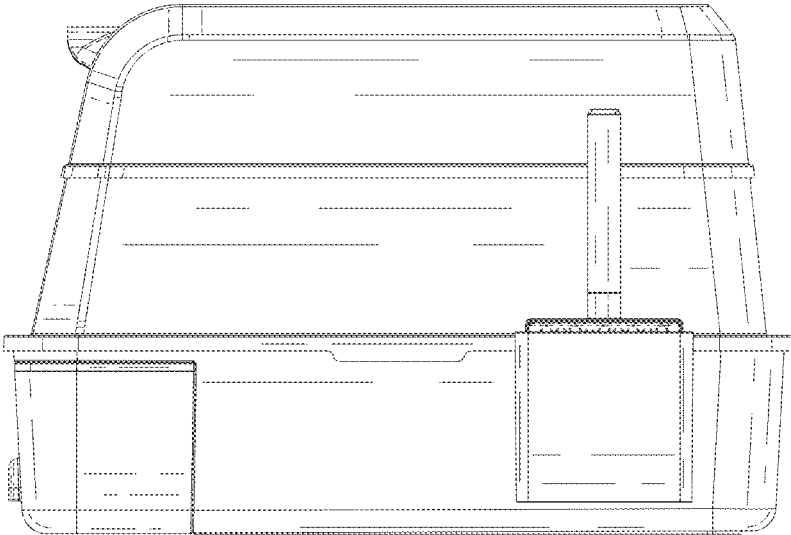


FIG. 5

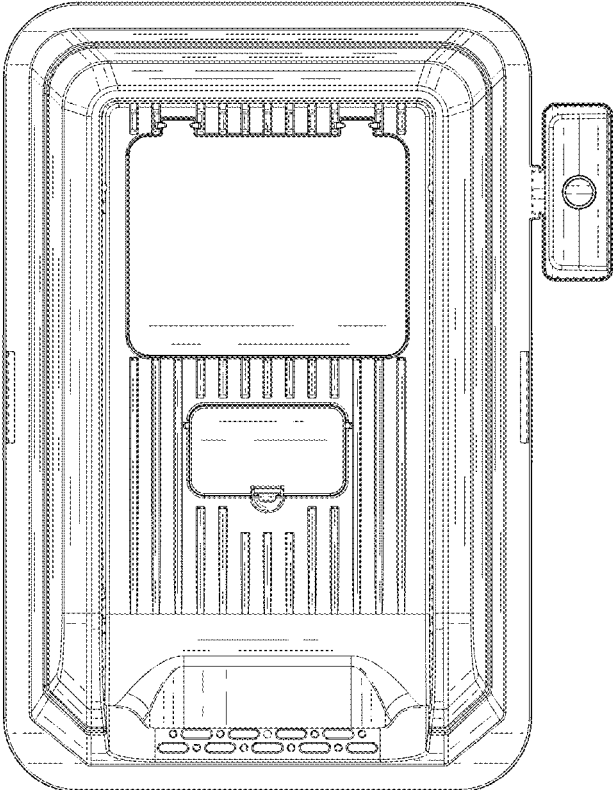


FIG. 6

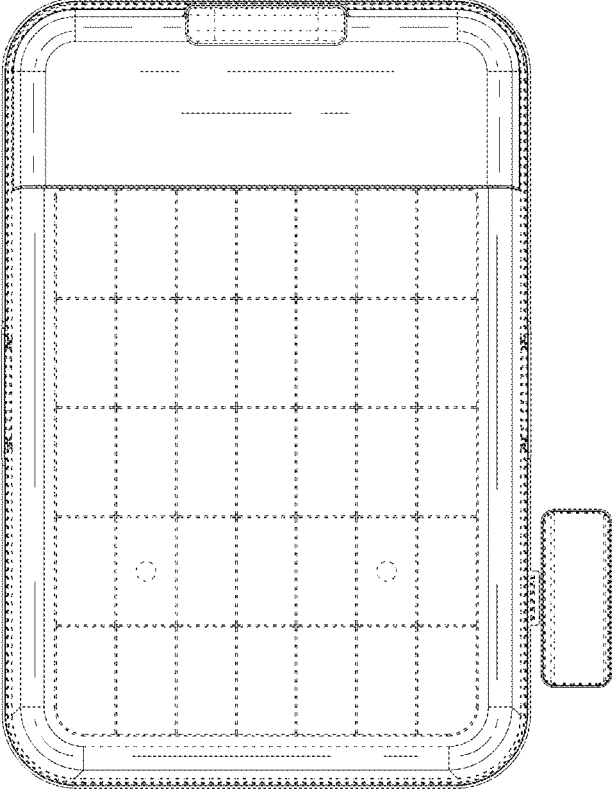


FIG. 7