



US00D719261S

(12) **United States Design Patent**  
**Skvaro**

(10) **Patent No.:** **US D719,261 S**

(45) **Date of Patent:** **\*\* Dec. 9, 2014**

(54) **SHOULDER PROSTHESIS**

2003/0028253 A1\* 2/2003 Stone et al. .... 623/19.14  
2007/0142917 A1 6/2007 Roche et al.  
2007/0162149 A1 7/2007 Kropf et al.

(Continued)

(75) Inventor: **Martina Skvaro**, Winterthur (CH)

(73) Assignee: **Zimmer GmbH**, Winterthur (CH)

(\*\*) Term: **14 Years**

FOREIGN PATENT DOCUMENTS

EP 0485326 A1 5/1992  
EP 1467681 B1 2/2008

(Continued)

(21) Appl. No.: **29/413,610**

(22) Filed: **Feb. 17, 2012**

OTHER PUBLICATIONS

(51) **LOC (10) Cl.** ..... **24-02**

(52) **U.S. Cl.**

USPC ..... **D24/155**

“U.S. Appl. No. 13/428,441, Advisory Action mailed Oct. 8, 2013”,  
2 pgs.

(Continued)

(58) **Field of Classification Search**

USPC ..... D24/155, 156, 133, 152, 154, 135,  
D24/144–146, 151; 606/99, 100, 264, 266,  
606/280, 319, 329; 623/19.11, 19.13,  
623/19.14, 20.11, 20.2, 23.42, 23.46–23.48  
See application file for complete search history.

*Primary Examiner* — Ian Simmons  
*Assistant Examiner* — Charles Hanson  
(74) *Attorney, Agent, or Firm* — Schwegman Lundberg &  
Woessner, P.A.

(57) **CLAIM**

The ornamental design for a shoulder prosthesis, as shown  
and described.

(56) **References Cited**

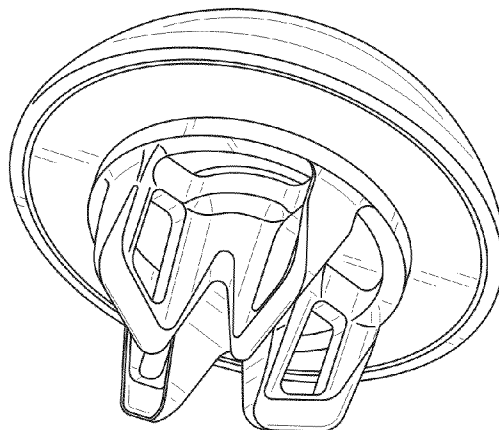
U.S. PATENT DOCUMENTS

4,035,848 A 7/1977 Wagner  
4,042,980 A \* 8/1977 Swanson et al. .... 623/19.13  
4,332,036 A 6/1982 Sutter et al.  
4,550,450 A \* 11/1985 Kinnett ..... 623/20.11  
5,358,526 A \* 10/1994 Tornier ..... 623/19.14  
6,146,423 A \* 11/2000 Cohen et al. .... 623/20.2  
6,783,549 B1 8/2004 Stone et al.  
7,465,319 B2 \* 12/2008 Tornier ..... 623/19.11  
7,615,080 B2 \* 11/2009 Ondrla ..... 623/19.11  
7,670,382 B2 \* 3/2010 Parrott et al. .... 623/19.14  
7,678,150 B2 \* 3/2010 Tornier et al. .... 623/19.13  
7,887,544 B2 \* 2/2011 Tornier et al. .... 606/96  
D643,926 S \* 8/2011 Collins ..... D24/155  
8,187,282 B2 \* 5/2012 Tornier et al. .... 606/99  
8,192,497 B2 \* 6/2012 Ondrla ..... 623/19.14  
8,231,682 B2 \* 7/2012 Lafosse et al. .... 623/19.11  
8,246,687 B2 \* 8/2012 Katrana et al. .... 623/19.13  
2001/0047210 A1 11/2001 Wolf

**DESCRIPTION**

FIGS. 1-6 show a shoulder prosthesis in accordance with my  
new design, wherein:  
FIG. 1 is a first perspective view thereof;  
FIG. 2 is a second perspective view thereof;  
FIG. 3 is a front/rear view thereof, it being understood that the  
front and rear views are identical;  
FIG. 4 is a right side/left side view thereof, it being under-  
stood that the right side and left side views are identical;  
FIG. 5 is a bottom view thereof; and,  
FIG. 6 is a top view thereof.  
The broken line showing of the center hole in FIG. 5 is  
included for the purpose of illustrating environment and  
forms no part of the claimed design.

**1 Claim, 3 Drawing Sheets**



(56)

**References Cited**

## U.S. PATENT DOCUMENTS

2008/0221700	A1	9/2008	Howald et al.
2009/0048681	A1	2/2009	Vlachos
2010/0114326	A1	5/2010	Winslow et al.
2012/0265315	A1	10/2012	Kusogullari et al.
2012/0296435	A1	11/2012	Ambacher

## FOREIGN PATENT DOCUMENTS

FR	2304324	A1	10/1976
WO	WO02/17822	A1	3/2002
WO	WO2007/054553	A1	5/2007
WO	WO-2012130524	A1	10/2012

## OTHER PUBLICATIONS

"U.S. Appl. No. 13/428,441, Examiner Interview Summary mailed Jul. 23, 2013", 3 pgs.

"U.S. Appl. No. 13/428,441, Final Office Action mailed Jul. 25, 2013", 10 pgs.

"U.S. Appl. No. 13/428,441, Non Final Office Action mailed Dec. 28, 2012", 10 pgs.

"U.S. Appl. No. 13/428,441, Preliminary Amendment filed Mar. 23, 2012", 5 pgs.

"U.S. Appl. No. 13/428,441, Response filed Jun. 28, 2013 to Non Final Office Action mailed Dec. 28, 2013", 8 pgs.

"U.S. Appl. No. 13/428,441, Response filed Sep. 25, 2013 to Final Office Action mailed Jul. 25, 2013", 8 pgs.

"U.S. Appl. No. 13/428,446, Advisory Action mailed Oct. 7, 2013", 2 pgs.

"U.S. Appl. No. 13/428,446, Examiner Interview Summary mailed Jul. 23, 2013", 3 pgs.

"U.S. Appl. No. 13/428,446, Final Office Action mailed Jul. 25, 2013", 9 pgs.

"U.S. Appl. No. 13/428,446, Non Final Office Action mailed Nov. 1, 2013", 8 pgs.

"U.S. Appl. No. 13/428,446, Non Final Office Action mailed Dec. 28, 2012", 10 pgs.

"U.S. Appl. No. 13/428,446, Preliminary Amendment filed Mar. 23, 2012", 5 pgs.

"U.S. Appl. No. 13/428,446, Response filed Jun. 28, 2013 to Non Final Office Action mailed Dec. 28, 2012", 3 pgs.

"U.S. Appl. No. 13/428,446, Response filed Sep. 25, 2013 to Final Office Action mailed Jul. 25, 2013", 7 pgs.

"U.S. Appl. No. 29/413,611, Restriction Requirement mailed Oct. 4, 2013", 7 pgs.

"European Application Serial No. 12155644.3, European Search Report mailed May 2, 2012", 4 pgs.

"European Application Serial No. 12155645.0, European Search Report mailed May 2, 2012", 4 pgs.

"U.S. Appl. No. 13/428,441, Non Final Office Action mailed Nov. 5, 2013", 8 pgs.

"U.S. Appl. No. 13/428,441, Response filed Feb. 5, 2014 to Non-Final Office Action dated Nov. 5, 2013", 8 pgs.

"U.S. Appl. No. 13/428,446, Response filed Feb. 6, 2014 to Non Final Office Action mailed Nov. 1, 2013", 8 pgs.

"U.S. Appl. No. 14/006,376, Non Final Office Action mailed Mar. 3, 2014", 10 pgs.

"U.S. Appl. No. 29/413,611, Response filed Nov. 4, 2013 to Restriction Requirement mailed Oct. 4, 2013", 8 pgs.

"U.S. Appl. No. 29/413,611, Non Final Office Action mailed Dec. 19, 2013", 7 pgs.

"International Application Serial No. PCT/EP2012/052627, International Preliminary Report on Patentability mailed Mar. 8, 2013", 11 pgs.

\* cited by examiner



FIG. 1

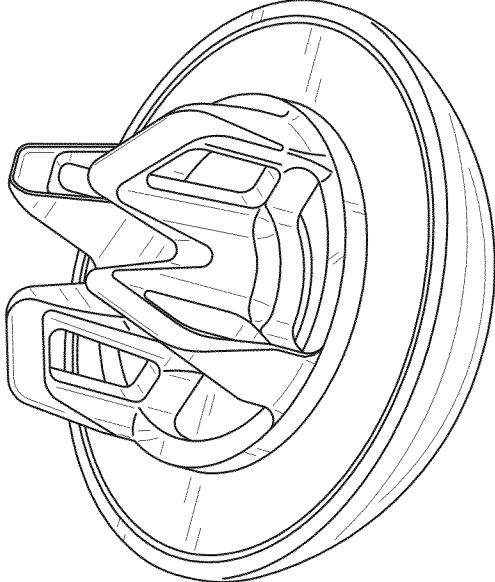
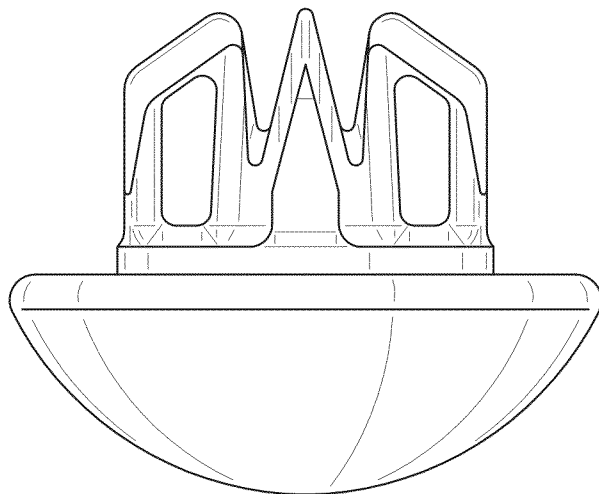
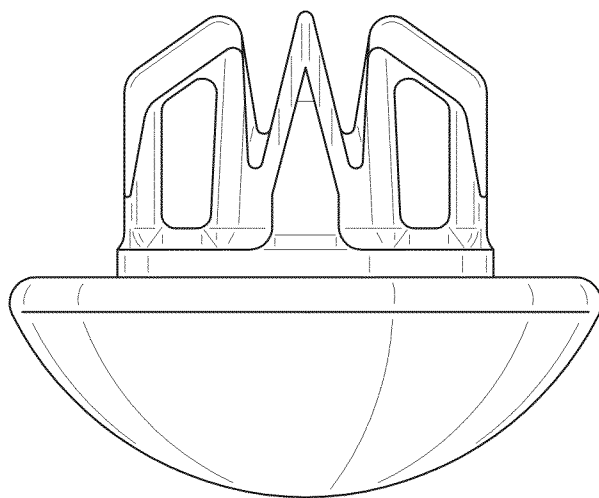


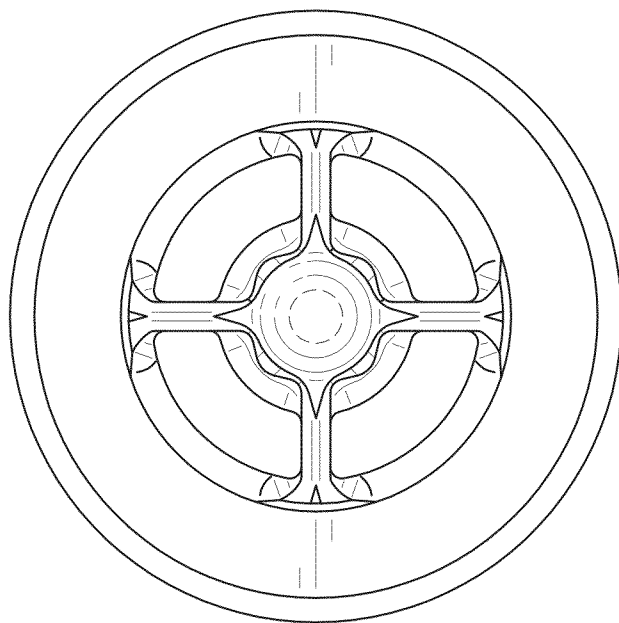
FIG. 2



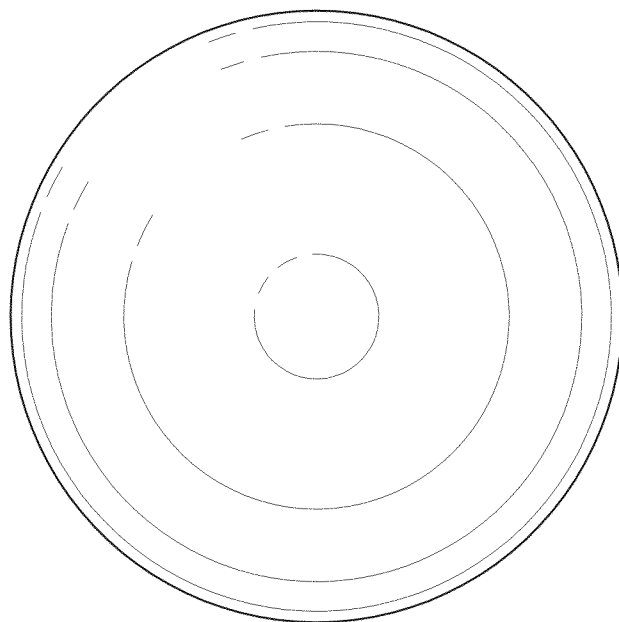
*FIG. 3*



*FIG. 4*



*FIG. 5*



*FIG. 6*