



US00D659344S

(12) **United States Design Patent**
Meekma et al.

(10) **Patent No.:** **US D659,344 S**

(45) **Date of Patent:** **** May 8, 2012**

(54) **SAFE**

(75) Inventors: **Glenn P. Meekma**, Menomonee Falls, WI (US); **Scott B. Stevens**, St. Francis, WI (US)

(73) Assignee: **Master Lock Company LLC**, Oak Creek, WI (US)

(**) Term: **14 Years**

(21) Appl. No.: **29/404,237**

(22) Filed: **Oct. 18, 2011**

Related U.S. Application Data

(62) Division of application No. 29/359,531, filed on Apr. 13, 2010.

(51) **LOC (9) Cl.** **99-00**

(52) **U.S. Cl.** **D99/28**

(58) **Field of Classification Search** D99/28, D99/34, 35, 36, 37, 43, 99; D18/3.1, 3.3, D18/12, 12.1; D8/330, 331, 333, 334, 343, D8/499; 235/379, 380, 381, 382, 383.5; 194/206; 109/1 R, 1 V, 2, 45, 49.5, 52, 58, 109/59 R, 60, 61, 62, 64, 78; 70/14, 19, 70/20, 21, 22; 206/0.8, 0.815, 0.82

See application file for complete search history.

(56) **References Cited**

U.S. PATENT DOCUMENTS

D59,734 S	11/1921	Fisher
1,955,809 A	4/1934	Hobbs
D175,369 S	8/1955	Sciacero
2,755,748 A	7/1956	Abell, Jr.
D181,025 S	9/1957	Sederquist et al.

D183,094 S	6/1958	Heath
3,084,532 A	4/1963	Williams
D231,895 S	6/1974	Stolarz
D271,350 S	11/1983	Robbins
D273,053 S	3/1984	Hamborg
D278,689 S	5/1985	Jupe
D279,324 S	6/1985	Tanaka
D298,679 S	11/1988	Casini et al.
D309,054 S	7/1990	Knox
D310,211 S	8/1990	Tanbe
5,065,156 A	11/1991	Bernier
D350,002 S	8/1994	Viola
D351,499 S	10/1994	Gay et al.
D365,430 S	12/1995	Riboli

(Continued)

Primary Examiner — Elizabeth J Oswecki

(74) *Attorney, Agent, or Firm* — Calfee, Halter & Griswold LLP

(57) **CLAIM**

We claim the ornamental design for a safe, as shown and described.

DESCRIPTION

FIG. 1 is a front perspective view of a safe showing the new design;

FIG. 2 is a rear perspective view of the safe of FIG. 1;

FIG. 3 is a top view of the safe of FIG. 1;

FIG. 4 is a front view of the safe of FIG. 1;

FIG. 5 is a rear view of the safe of FIG. 1;

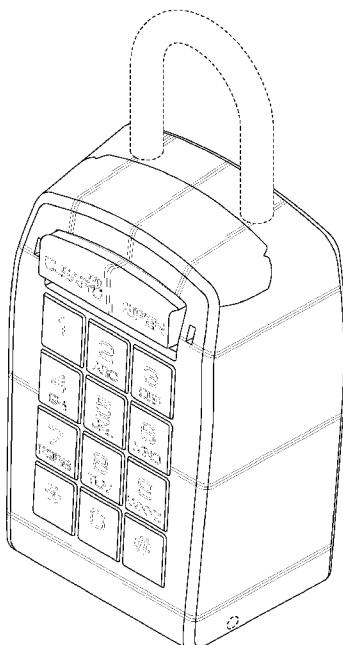
FIG. 6 is a bottom view of the safe of FIG. 1;

FIG. 7 is a right side view of the safe of FIG. 1; and

FIG. 8 is a left side view of the safe of FIG. 1.

In the drawings, the broken lines in FIGS. 1-5, 7 and 8 depict portions of the design that form no part of the claim.

1 Claim, 5 Drawing Sheets



US D659,344 S

Page 2

U.S. PATENT DOCUMENTS		
D380,793 S	7/1997	Conwell
D407,184 S	3/1999	Endelson
D411,949 S	7/1999	Hill
D432,755 S	10/2000	Perkitny et al.
D462,517 S	9/2002	Knox et al.
D476,216 S *	6/2003	Vito D8/334
D484,776 S	1/2004	Ruan
D534,965 S	1/2007	Chung
D539,540 S	4/2007	Perlman et al.
D547,161 S *	7/2007	Blomstrom et al. D8/334
D560,875 S *	1/2008	Decarlo et al. D99/28
D579,174 S *	10/2008	Decarlo et al. D99/28
D592,485 S *	5/2009	Stevens D8/334
D617,974 S *	6/2010	Alfeld, Sr. D99/28
D634,915 S *	3/2011	Nave et al. D99/28
D641,535 S	7/2011	Kan
D650,548 S *	12/2011	Meekma et al. D99/28
2004/0226325 A1 *	11/2004	Ling 70/63
2006/0137949 A1	6/2006	Levinson et al.
2006/0213237 A1 *	9/2006	Yang 70/63
2007/0180873 A1 *	8/2007	Yen et al. 70/63

* cited by examiner

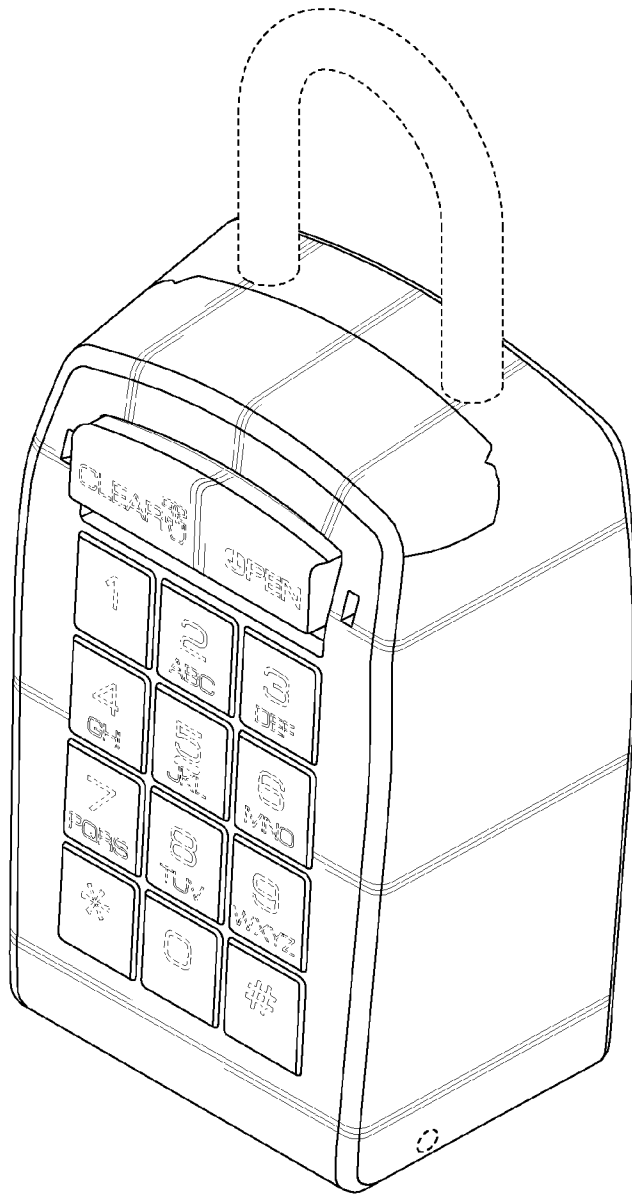


FIG. 1

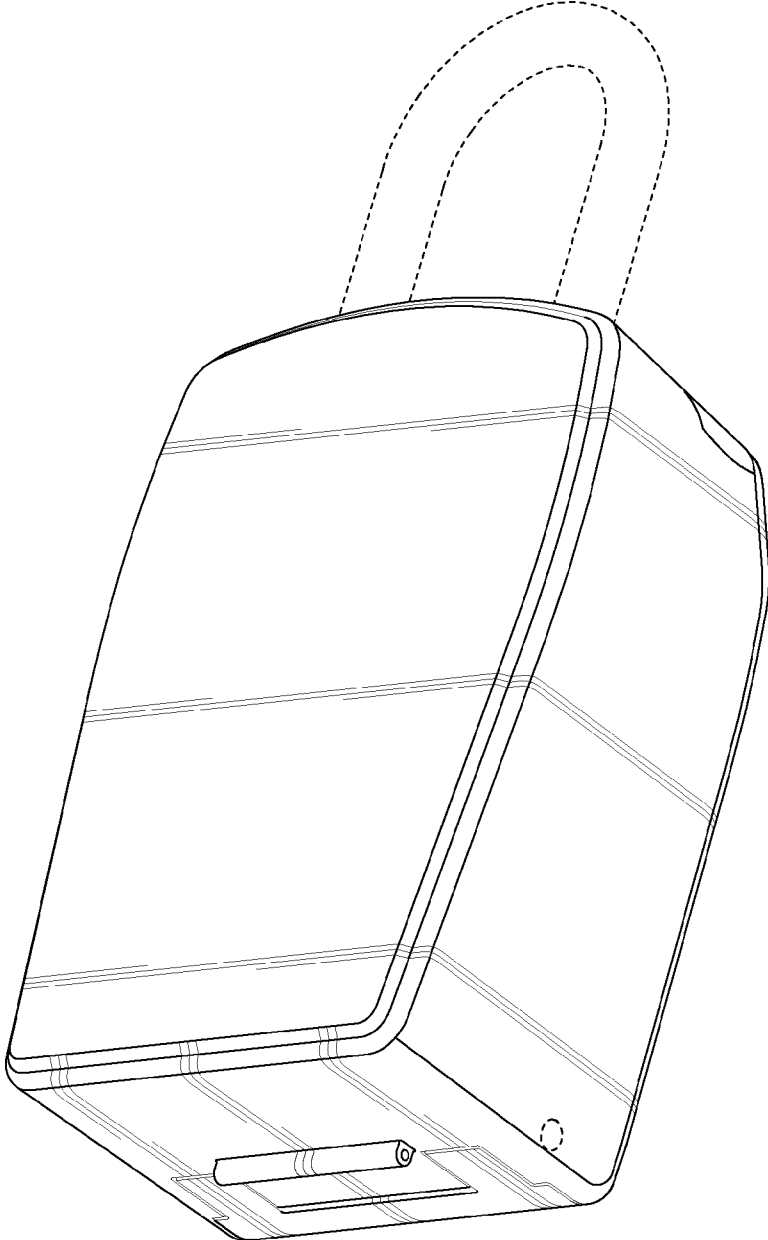


FIG. 2

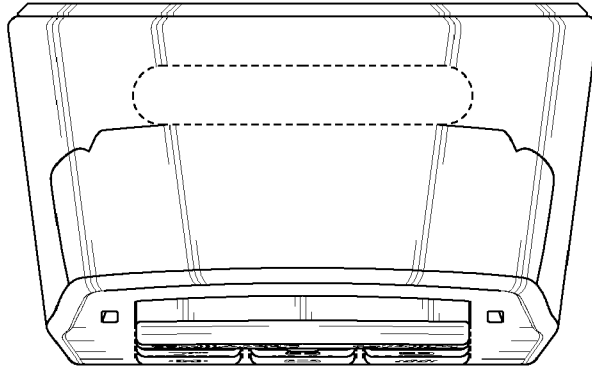


FIG. 3

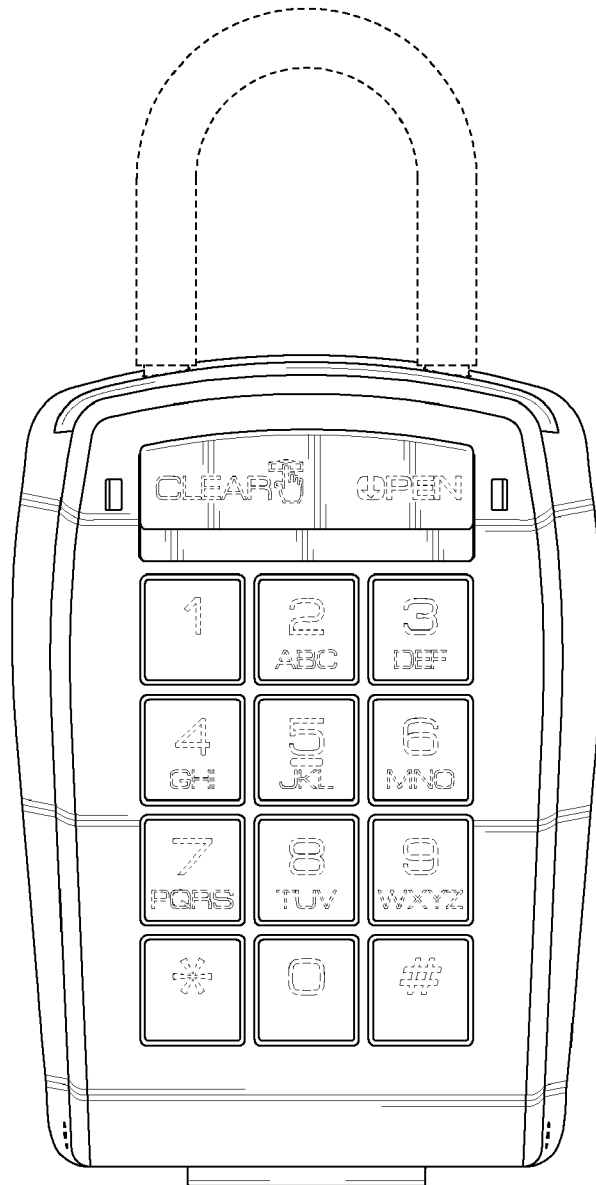


FIG. 4

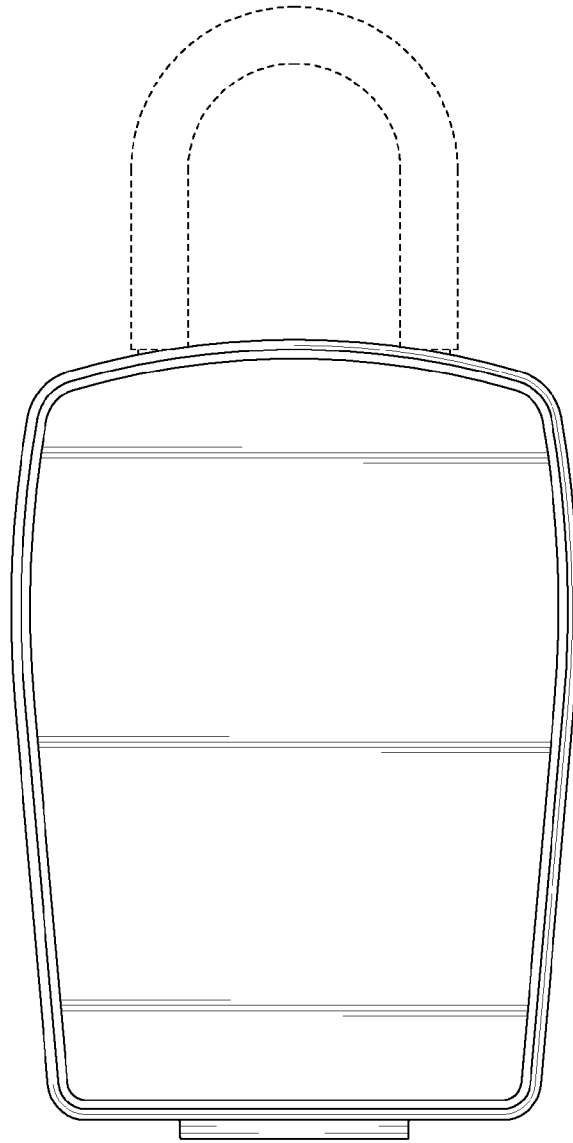


FIG. 5

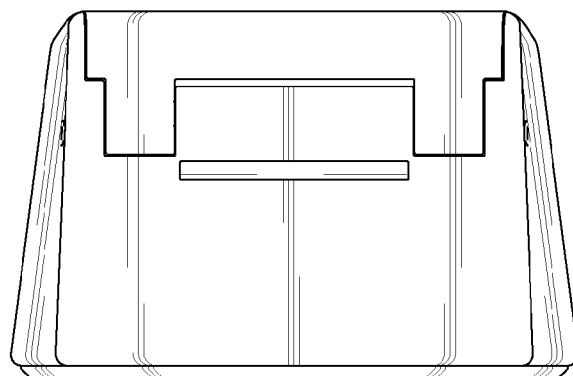


FIG. 6

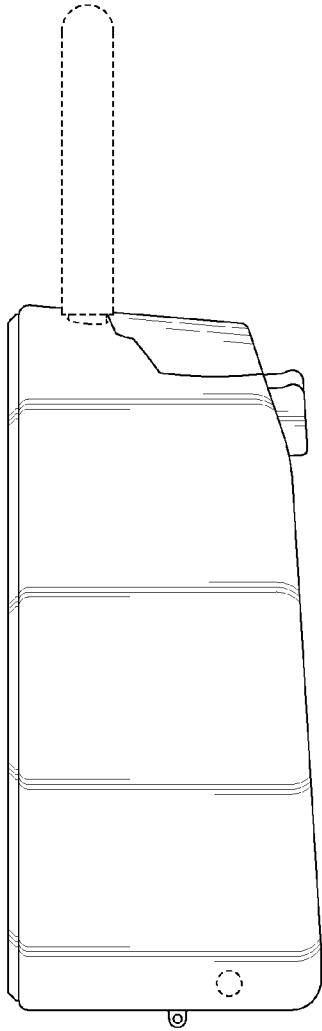


FIG. 7

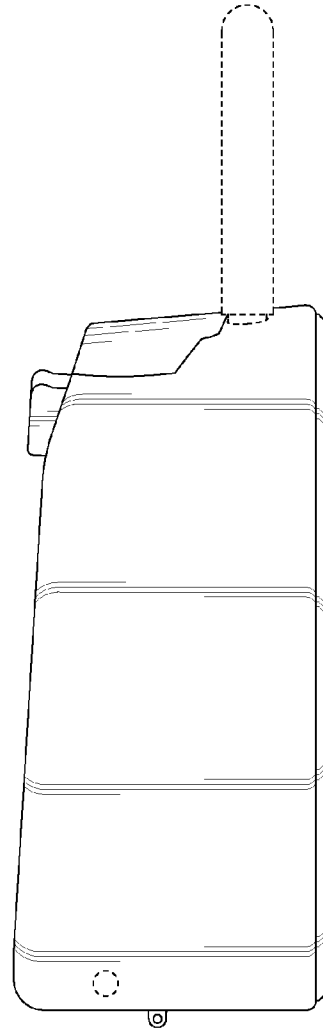


FIG. 8