



(12) **United States Design Patent**  
**Zhou**

(10) **Patent No.:** **US D960,640 S**  
(45) **Date of Patent:** **\*\* Aug. 16, 2022**

(54) **LID FOR A PRESSURE COOKER**  
(71) Applicant: **MIDEA GROUP CO., LTD.**,  
Guangdong (CN)  
(72) Inventor: **Runsheng Zhou**, Guangdong (CN)  
(73) Assignee: **MIDEA GROUP CO., LTD.**, Foshan  
(CN)

4,330,696 A \* 5/1982 Pomeroy ..... H05B 6/6411  
219/755  
D344,873 S \* 3/1994 Chang ..... D7/350.3  
5,768,976 A \* 6/1998 Suk ..... A47J 27/0806  
220/325  
D486,351 S \* 2/2004 Lu ..... D7/354  
D530,564 S \* 10/2006 Chiba ..... D7/360  
D689,738 S \* 9/2013 Hobbs ..... D7/402

(\*\*) Term: **15 Years**

(Continued)  
*Primary Examiner* — Karen S Acker  
(74) *Attorney, Agent, or Firm* — Morgan, Lewis &  
Bockius LLP

(21) Appl. No.: **35/510,970**  
(22) Filed: **Oct. 29, 2020**

(80) **Hague Agreement Data**  
Int. Filing Date: **Oct. 29, 2020**  
Int. Reg. No.: **DM/211669**  
Int. Reg. Date: **Oct. 29, 2020**  
Int. Reg. Pub. Date: **Dec. 18, 2020**

(57) **CLAIM**

The ornamental design for a lid for a pressure cooker, as shown and described.

(30) **Foreign Application Priority Data**

Jul. 16, 2020 (CN) ..... 202030388053.1

(51) **LOC (13) Cl.** ..... **07-02**  
(52) **U.S. Cl.**  
USPC ..... **D7/402**

(58) **Field of Classification Search**  
USPC ..... D7/213, 323, 330, 337, 340, 348, 350.3,  
D7/354, 357, 362, 368, 400, 401.1, 401.2,  
D7/402, 510, 511, 523, 533, 536, 566,  
D7/600, 600.1, 602, 609, 624.1, 638, 672,  
D7/701; D6/512, 522, 561, 571, 572,  
D6/573, 661, 661.2, 602, 663, 671, 672,  
D6/675, 681.2, 683.1; D32/58  
CPC ... A47G 1/20; A47J 31/44; A47J 31/52; A47J  
43/04; A47J 43/44  
See application file for complete search history.

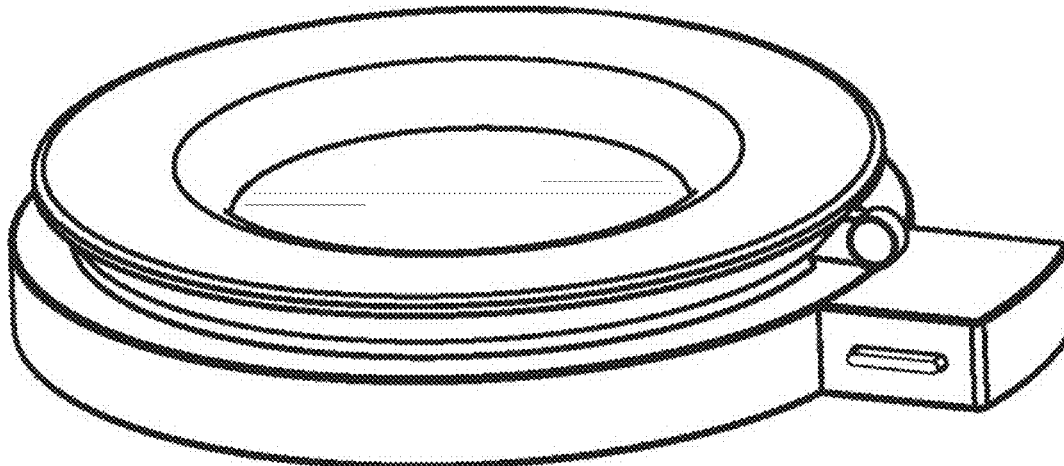
**DESCRIPTION**

1. Lid for a pressure cooker  
**1.1** : Front  
**1.2** : Back  
**1.3** : Left  
**1.4** : Right  
**1.5** : Top  
**1.6** : Bottom  
**1.7** : Perspective  
**1.8** : Reference view of state of use  
Reproduction **1.8** is a reference view showing the state in use of the claimed design and forms no part of the claimed design.  
The broken lines depict portions of the lid for a pressure cooker that form no part of the claimed design. The dash-dot-dash broken lines in Reproduction **1.6** depict the boundaries of the claimed design and form no part thereof. In Reproduction **1.8**, the broken lines depict environmental subject matter that forms no part of the claimed design.

(56) **References Cited**  
U.S. PATENT DOCUMENTS

1,768,954 A \* 7/1930 Henning ..... A21B 3/13  
220/4.03  
D257,938 S \* 1/1981 Danley ..... D7/402

**1 Claim, 8 Drawing Sheets**



# US D960,640 S

Page 2

(56)

## References Cited

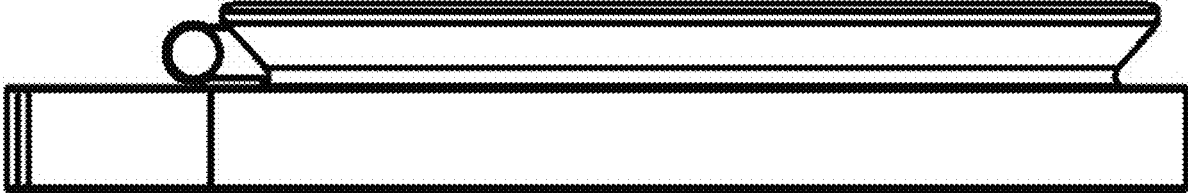
### U.S. PATENT DOCUMENTS

8,772,685	B2 *	7/2014	Backaert .....	H05B 6/804 219/688	2010/0196572	A1 *	8/2010	Sloot .....	A23L 7/196 392/465
D854,875	S *	7/2019	Tan .....	D7/354	2012/0012010	A1 *	1/2012	Baraille .....	A47J 27/0802 99/325
D900,529	S *	11/2020	You .....	D7/358	2014/0245898	A1 *	9/2014	Froza .....	A47J 36/16 99/341
D915,125	S *	4/2021	Moon .....	D7/354	2017/0347833	A1 *	12/2017	Ohta .....	A47J 37/0623
D915,126	S *	4/2021	Moon .....	D7/354	2019/0274462	A1 *	9/2019	Moon .....	A47J 27/086
D920,733	S *	6/2021	Cozzolino .....	D7/358	2020/0000263	A1 *	1/2020	Peng .....	A47J 27/0802
11,134,808	B2 *	10/2021	Elliston .....	A47J 36/32	2020/0128996	A1 *	4/2020	Qin .....	A47J 27/0802
D935,834	S *	11/2021	You .....	D7/358	2020/0260899	A1 *	8/2020	Nam .....	H05B 3/0014
2006/0045939	A1 *	3/2006	Mihalos .....	A21D 13/32 426/94	2020/0260901	A1 *	8/2020	Nam .....	A47J 27/0815
2007/0158339	A1 *	7/2007	Beckman .....	A47J 36/027 219/734	2020/0260902	A1 *	8/2020	Nam .....	A47J 27/086
2009/0095169	A1 *	4/2009	York .....	A47J 27/004 220/573.5	2020/0359824	A1 *	11/2020	Han .....	A47J 27/004
					2021/0007532	A1 *	1/2021	Park .....	A47J 27/004
					2021/0007545	A1 *	1/2021	Kim .....	A47J 27/04
					2021/0022541	A1 *	1/2021	Bauer .....	A47J 27/004
					2021/0068578	A1 *	3/2021	Peng .....	A47J 27/092

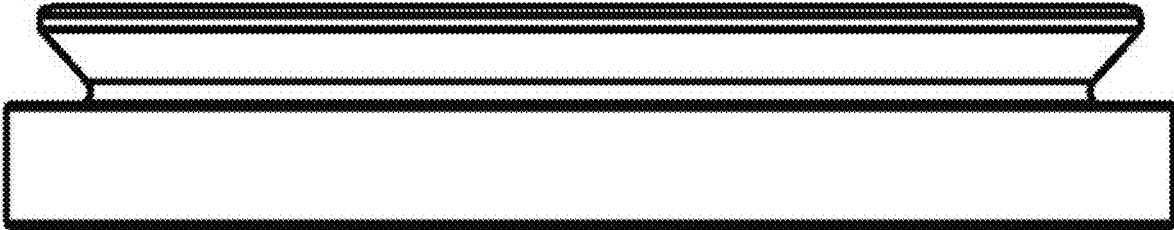
\* cited by examiner



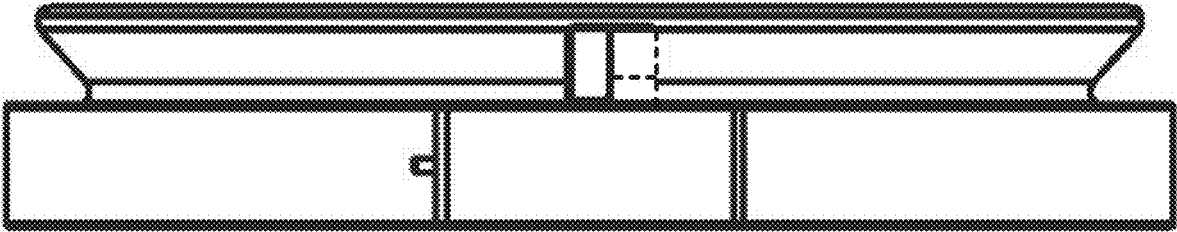
1.2



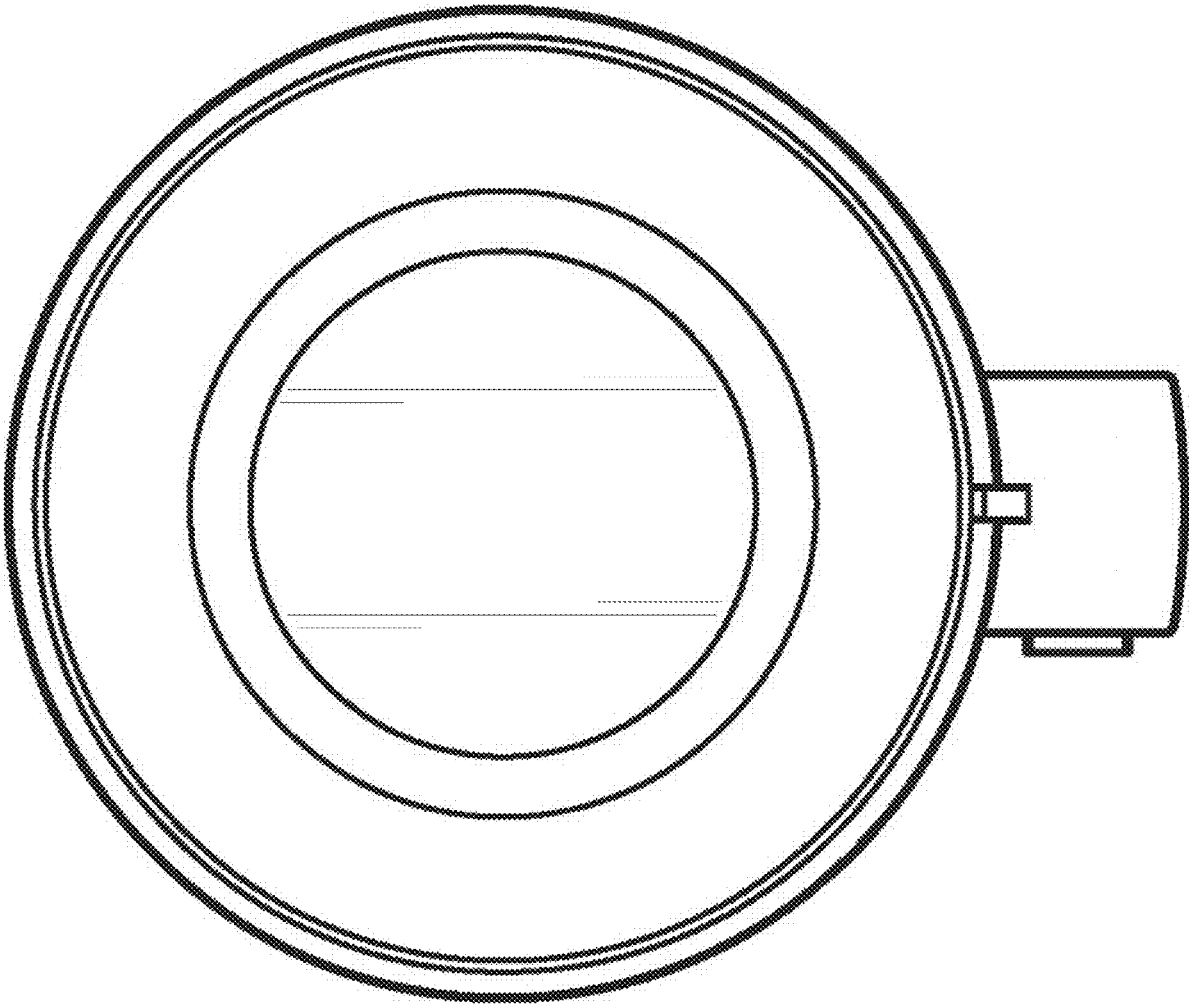
1.3



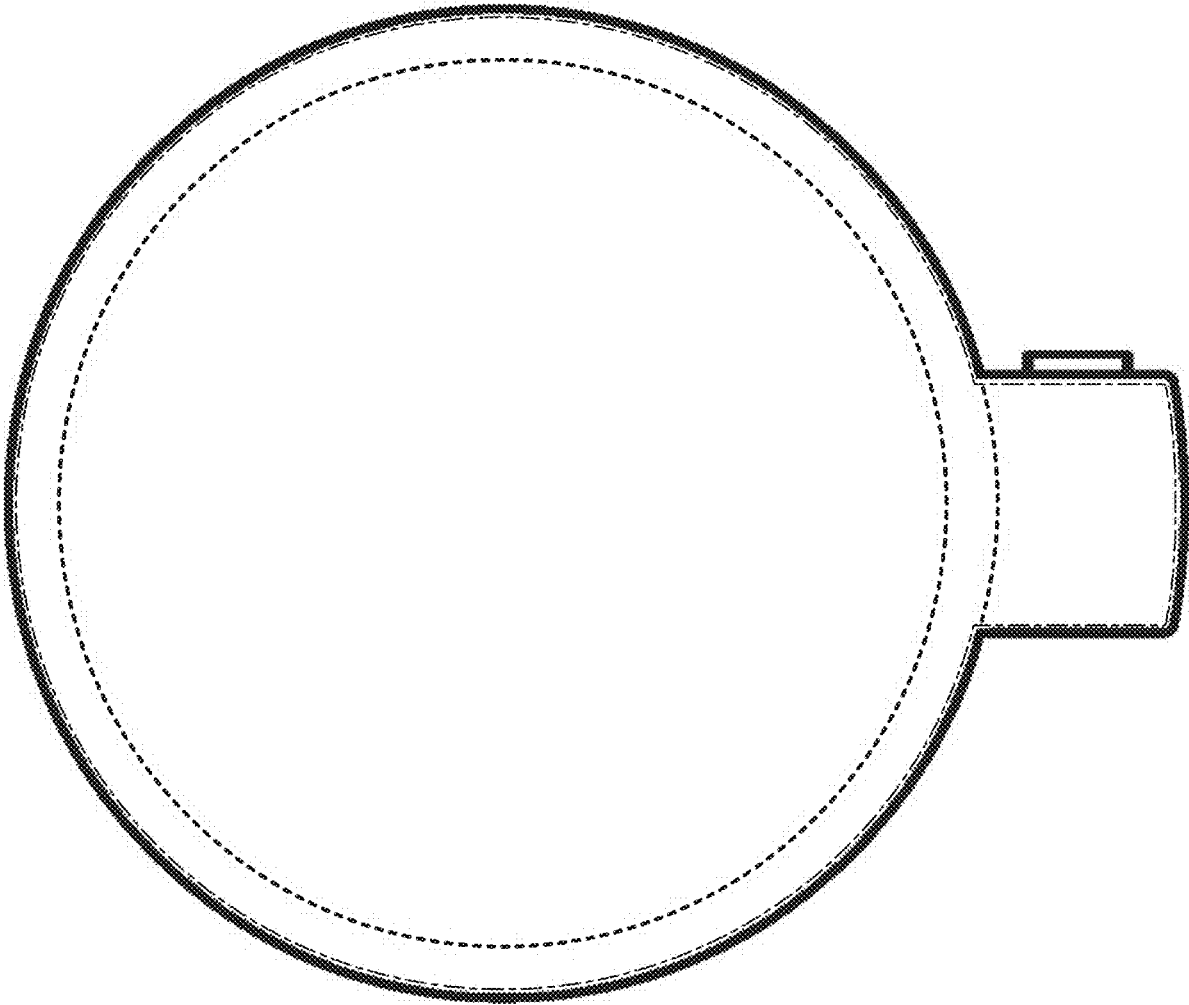
1.4



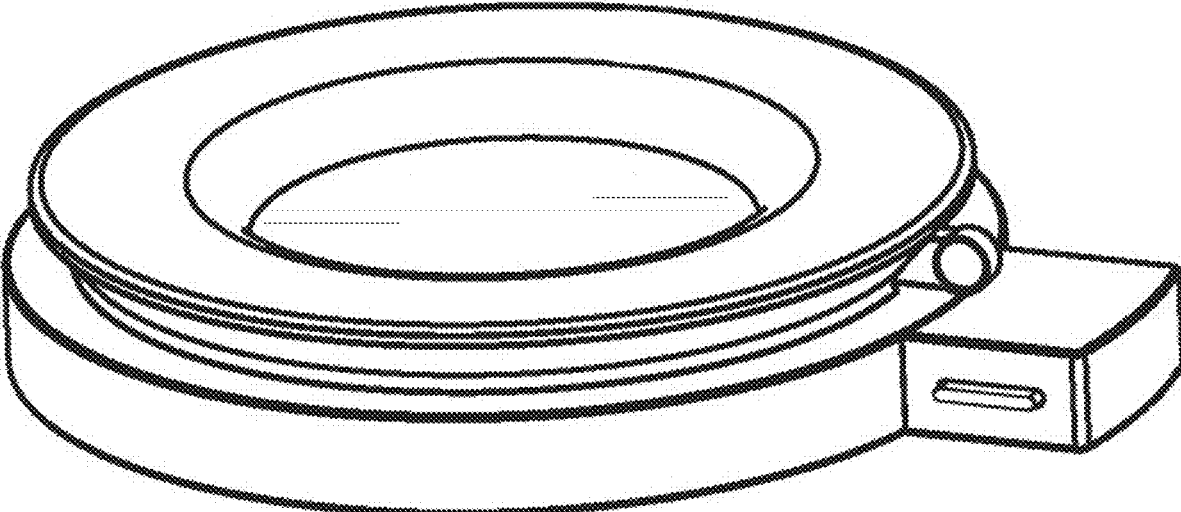
1.5



1.6



1.7



1.8

