



(12) **United States Design Patent**
Okazaki

(10) **Patent No.:** **US D1,031,702 S**
(45) **Date of Patent:** **** Jun. 18, 2024**

(54) **PORTABLE VIDEO STUDIO DESKTOP STAND**

(71) Applicant: **So Okazaki**, Kawaguchi (JP)

(72) Inventor: **So Okazaki**, Kawaguchi (JP)

(**) Term: **15 Years**

(21) Appl. No.: **29/857,107**

(22) Filed: **Oct. 19, 2022**

(51) **LOC (14) Cl.** **14-01**

(52) **U.S. Cl.**
USPC **D14/239**; D3/276; D3/262

(58) **Field of Classification Search**
USPC D3/218, 219, 274, 299, 902; D14/203.8,
D14/300, 496; D18/11
CPC . H04M 1/0264; H04M 1/0266; H04M 1/0268
See application file for complete search history.

(56) **References Cited**

U.S. PATENT DOCUMENTS

- 2,388,192 A * 10/1945 Stechbart F16M 13/005
248/168
- 4,760,492 A * 7/1988 Walsh H05F 3/02
D18/49
- 4,824,086 A * 4/1989 Rickling F41A 23/00
269/275
- D359,392 S * 6/1995 Bellington D3/262
- D362,116 S * 9/1995 Bellington D3/262
- 5,647,484 A * 7/1997 Fleming G06F 1/1628
206/320
- D414,751 S * 10/1999 Yogalingam D3/276
- 6,098,768 A * 8/2000 Tsai A45C 13/262
190/115
- 7,474,524 B1 * 1/2009 Shaw G06F 1/1632
361/679.02
- D752,862 S * 4/2016 Riddiford D3/279
- 9,474,176 B2 * 10/2016 Music G06F 1/1615
- 10,401,006 B2 * 9/2019 Kennedy F21V 21/06

- D879,751 S * 3/2020 Adams D14/239
- 10,827,827 B1 * 11/2020 Failing A47B 21/03
- 11,320,087 B2 * 5/2022 Wojciechowski F16M 11/10
- 2015/0330558 A1 * 11/2015 Intravatora F16M 11/28
362/184

FOREIGN PATENT DOCUMENTS

- CN 304457707 * 1/2018
- RU 00087641 * 1/2014

OTHER PUBLICATIONS

“DSLR Video Shooter Entire Youtube Studio In One Case” May 11, 2021, Youtube, site visited Mar. 19, 2024: <https://www.youtube.com/watch?v=AW6GgdsdcY4> (Year: 2021).*

(Continued)

Primary Examiner — Jack Reickel
Assistant Examiner — Russell Carnell Smith, Jr.
(74) *Attorney, Agent, or Firm* — Goldstein Law Offices, P.C.

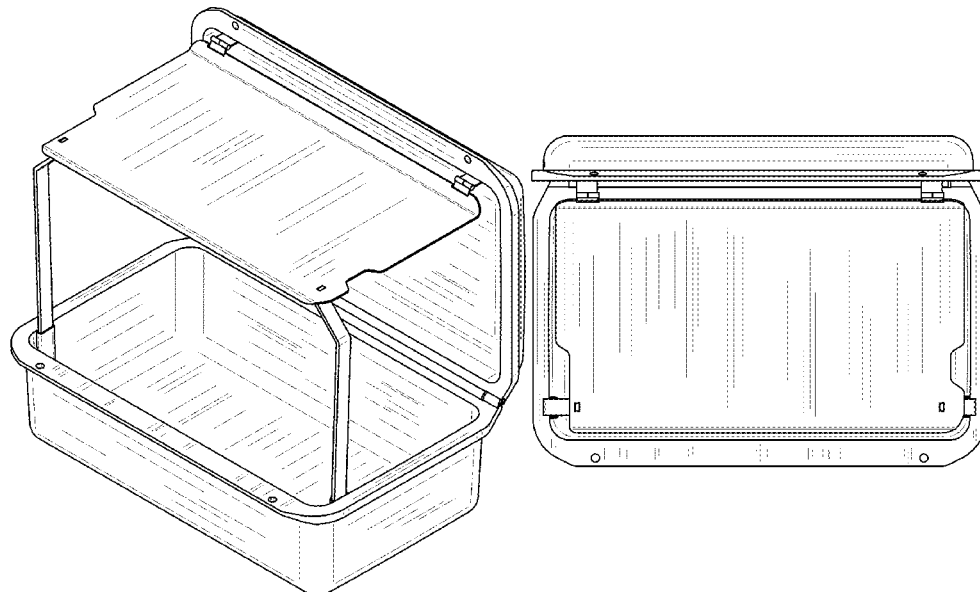
(57) **CLAIM**

The ornamental design for a portable video studio desktop stand, as shown and described.

DESCRIPTION

FIG. 1 is a perspective view of the portable video studio desktop stand in accordance with the present invention; FIG. 2 is a front elevation view thereof; FIG. 3 is a rear elevation view thereof; FIG. 4 is a top plan view thereof; FIG. 5 is a bottom plan view thereof; FIG. 6 is a left side elevation view thereof; and, FIG. 7 is a right side elevation thereof. The broken lines in the drawings depict portions of the portable video studio desktop stand that form no part of the claimed design.

1 Claim, 4 Drawing Sheets



(56)

References Cited

OTHER PUBLICATIONS

“Sanyipace Sanyipace Drain Camera with 512Hz Sonde, Self-Leveling, Distance Counter” Jul. 2, 2022, Amazon, site visited Mar. 19, 2024: <https://www.amazon.com/Sanyipace-Self-Leveling-Fiberglass-Industrial-Endoscope/dp/B0B1X6MS92> (Year: 2022).*

“Bewinner Industrial Endoscope, 9in 1080P Sewer Camera Zoom AHD Counter” Aug. 23, 2023, Amazon, site visited Mar. 19, 2024: <https://www.amazon.com/Industrial-Endoscope-Keybaord-Pipeline-Inspection/dp/B0CGCZFPBD> (Year: 2023).*

* cited by examiner

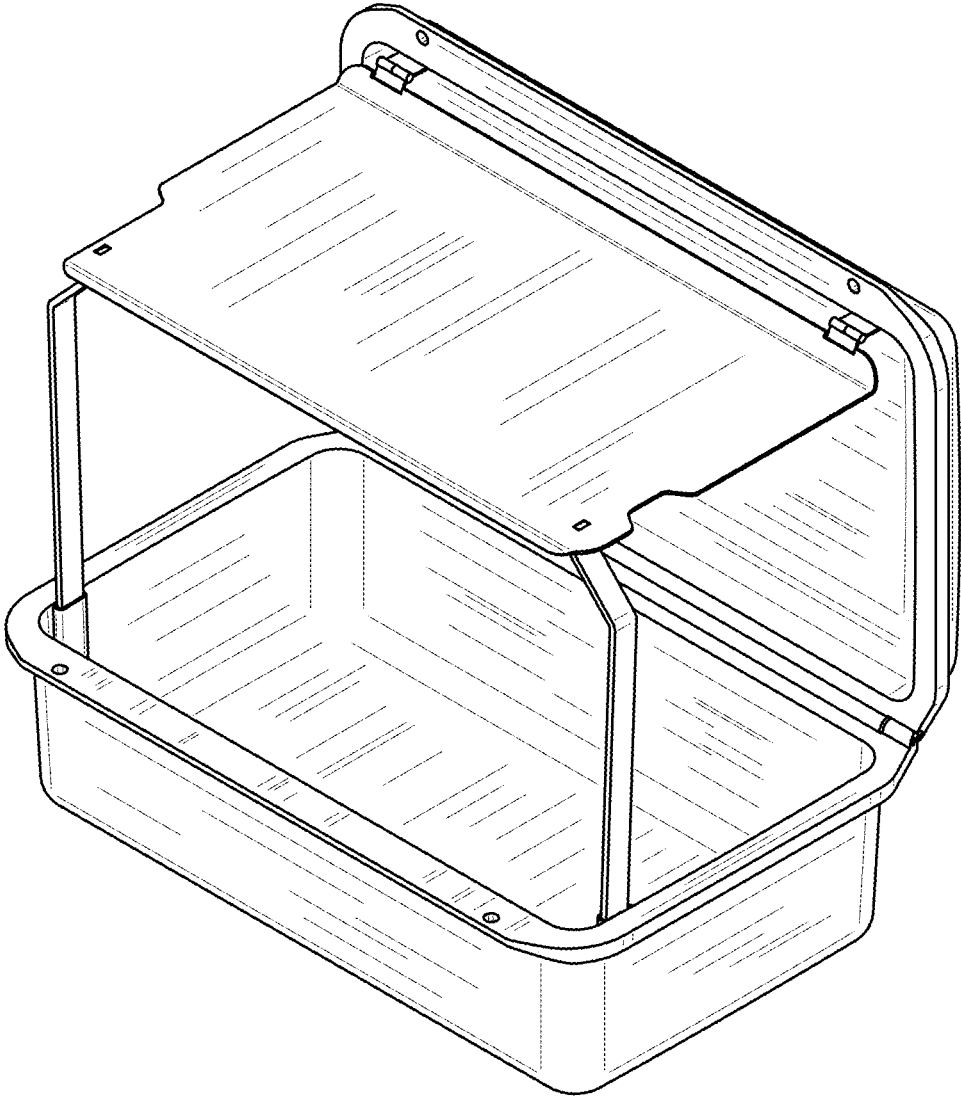


FIG. 1

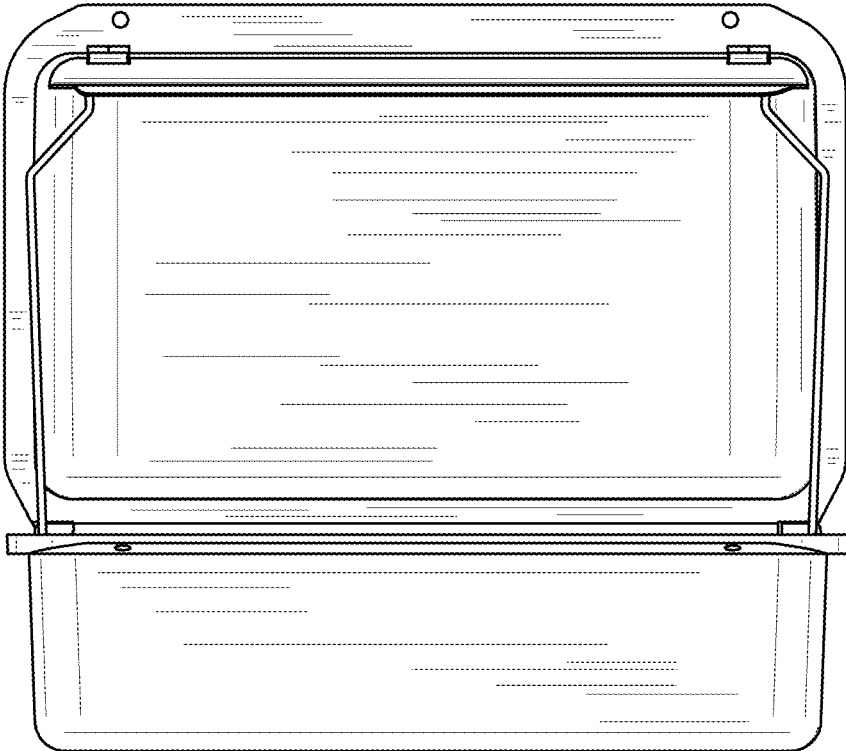


FIG. 2



FIG. 3

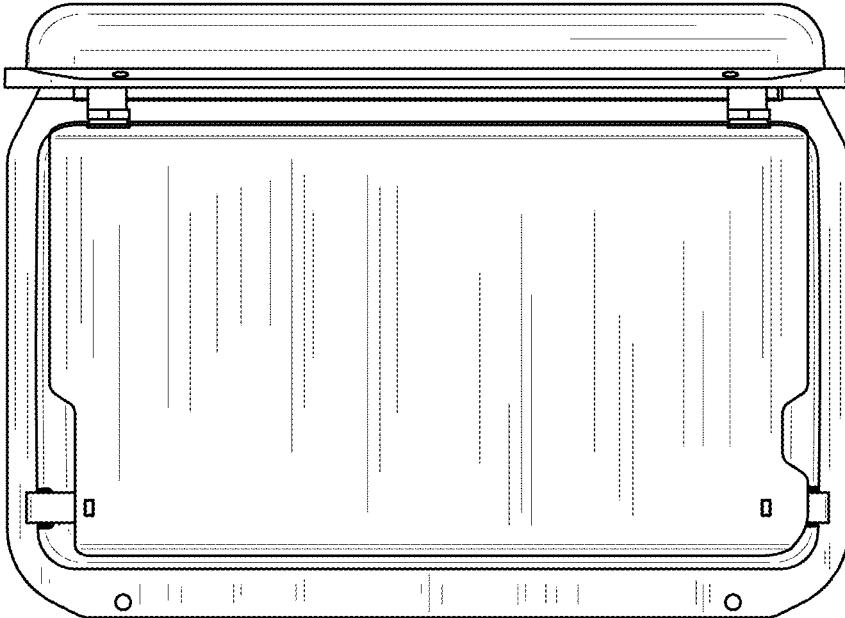


FIG. 4

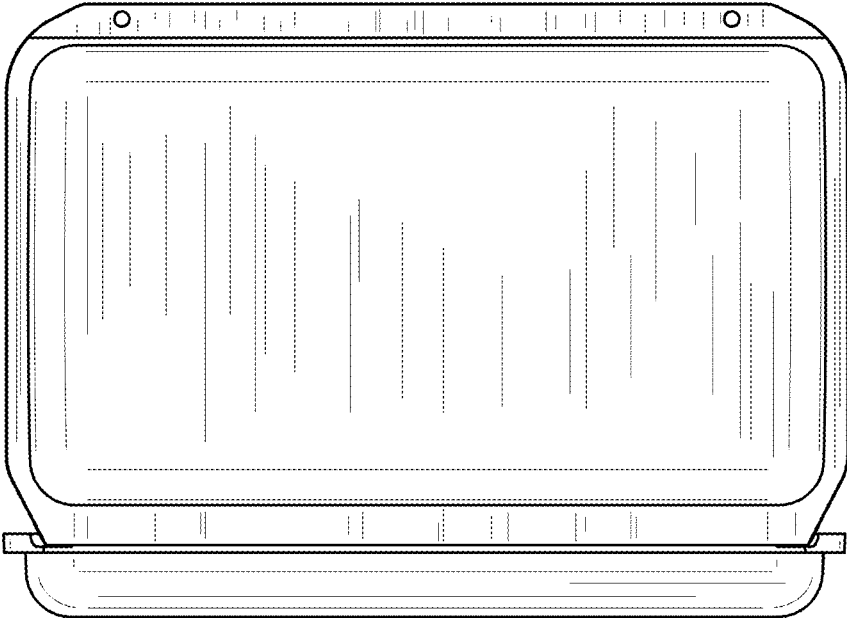


FIG. 5

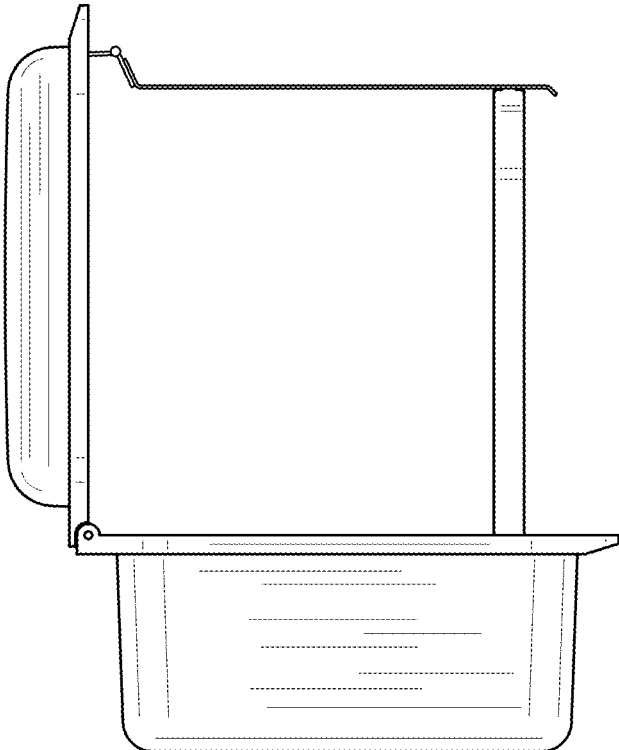


FIG. 6

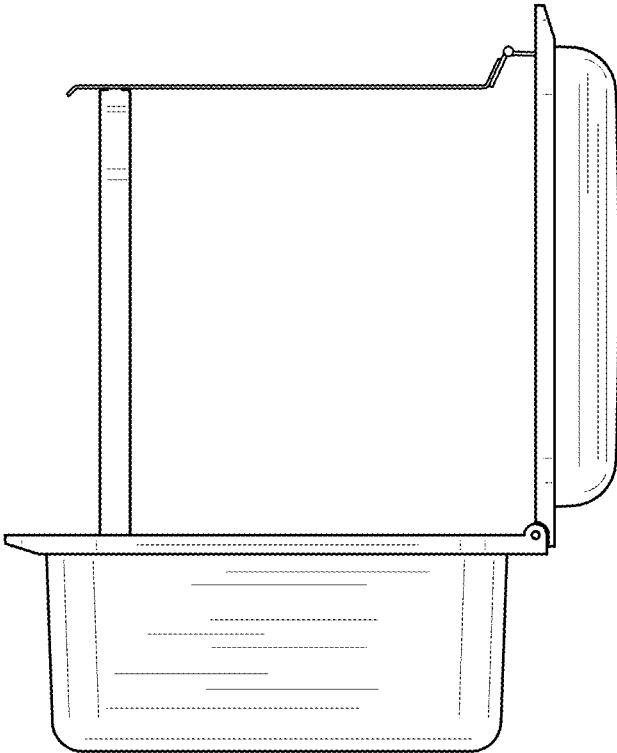


FIG. 7