



US00D585245S

(12) **United States Design Patent**
Brouillette

(10) **Patent No.:** **US D585,245 S**

(45) **Date of Patent:** **** Jan. 27, 2009**

(54) **BEVERAGE COOLER ASSEMBLY**

(76) Inventor: **Jeff Brouillette**, 6111 Barbara St.,
Jupiter, FL (US) 33458

(**) Term: **14 Years**

(21) Appl. No.: **29/319,148**

(22) Filed: **Jun. 4, 2008**

(51) **LOC (9) Cl.** **07-01**

(52) **U.S. Cl.** **D7/608; D7/624.2**

(58) **Field of Classification Search** D7/603-608,
D7/619.1-625; D9/424-429; 220/915.1,
220/915.2, 592.17, 592.2, 592.27, 592.16;
62/457.1-457.9, 371, 372

See application file for complete search history.

(56) **References Cited**

U.S. PATENT DOCUMENTS

4,347,713	A	*	9/1982	Morrison et al.	62/371
D272,223	S	*	1/1984	Daenen	D7/629
D302,509	S	*	8/1989	Byrns	D7/608
4,882,914	A	*	11/1989	Haines-Keeley et al.	62/457.4
D308,793	S	*	6/1990	Bartolo	D7/608
D310,155	S	*	8/1990	deNevers et al.	D7/603
D334,113	S	*	3/1993	Lewis et al.	D7/629
D395,579	S	*	6/1998	Jeppesen et al.	D7/603
D442,833	S	*	5/2001	Shuman	D7/608
RE37,213	E	*	6/2001	Staggs	62/457.3

6,330,808	B1	*	12/2001	Kouwenberg et al.	62/372
D476,857	S	*	7/2003	Holsinger	D7/608
D513,939	S	*	1/2006	Leonzo	D7/624.1

* cited by examiner

Primary Examiner—Terry A Wallace

(74) *Attorney, Agent, or Firm*—McHale & Slavin, P.A.

(57) **CLAIM**

The ornamental design for a beverage cooler assembly, as shown and described.

DESCRIPTION

FIG. 1 is a front perspective view of the beverage cooler assembly of the instant invention;

FIG. 2 is a top view thereof;

FIG. 3 is a bottom view thereof;

FIG. 4 is an elevational side view thereof;

FIG. 5 is a front perspective view of another embodiment of the instant invention;

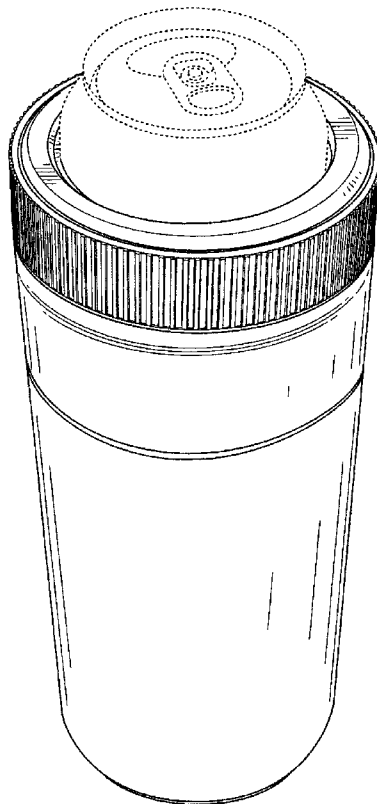
FIG. 6 is a top side view thereof;

FIG. 7 is a bottom view thereof; and,

FIG. 8 is an elevational side view thereof.

The broken lines of the can and bottle are for illustrative purposes only and form no part of the claimed design.

1 Claim, 6 Drawing Sheets



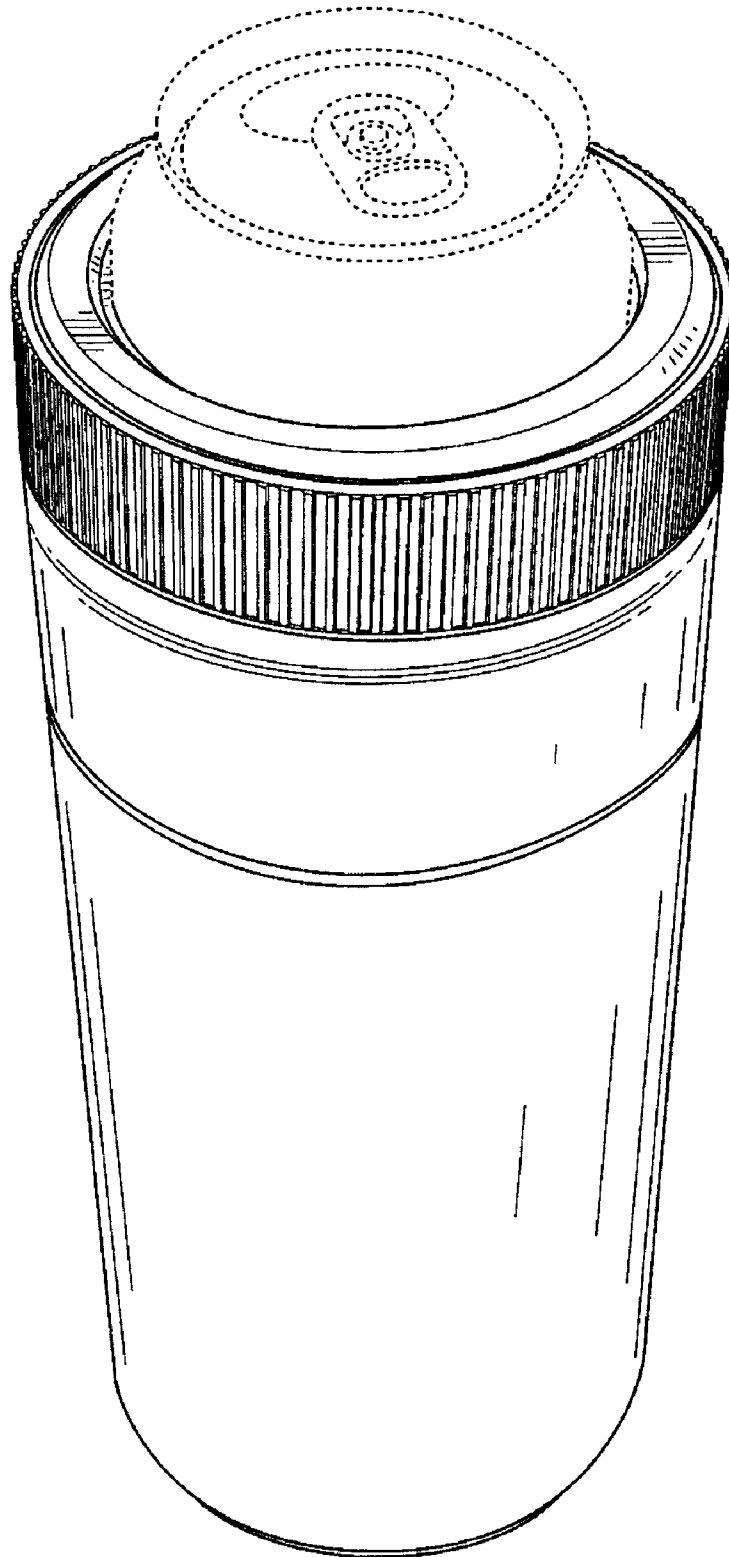


FIG. 1

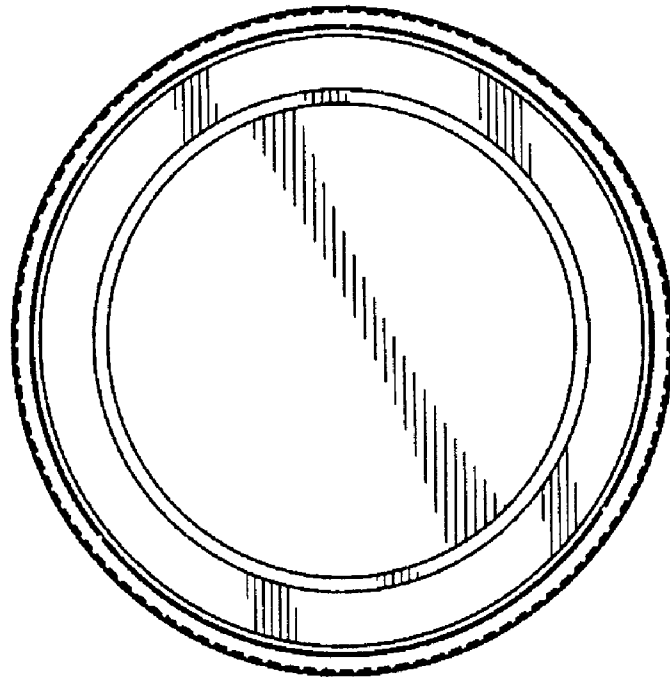


FIG. 2

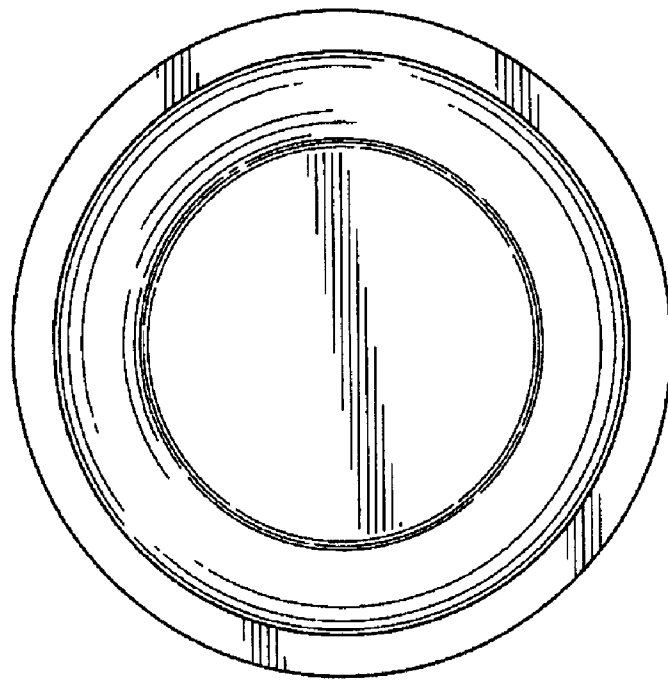


FIG. 3

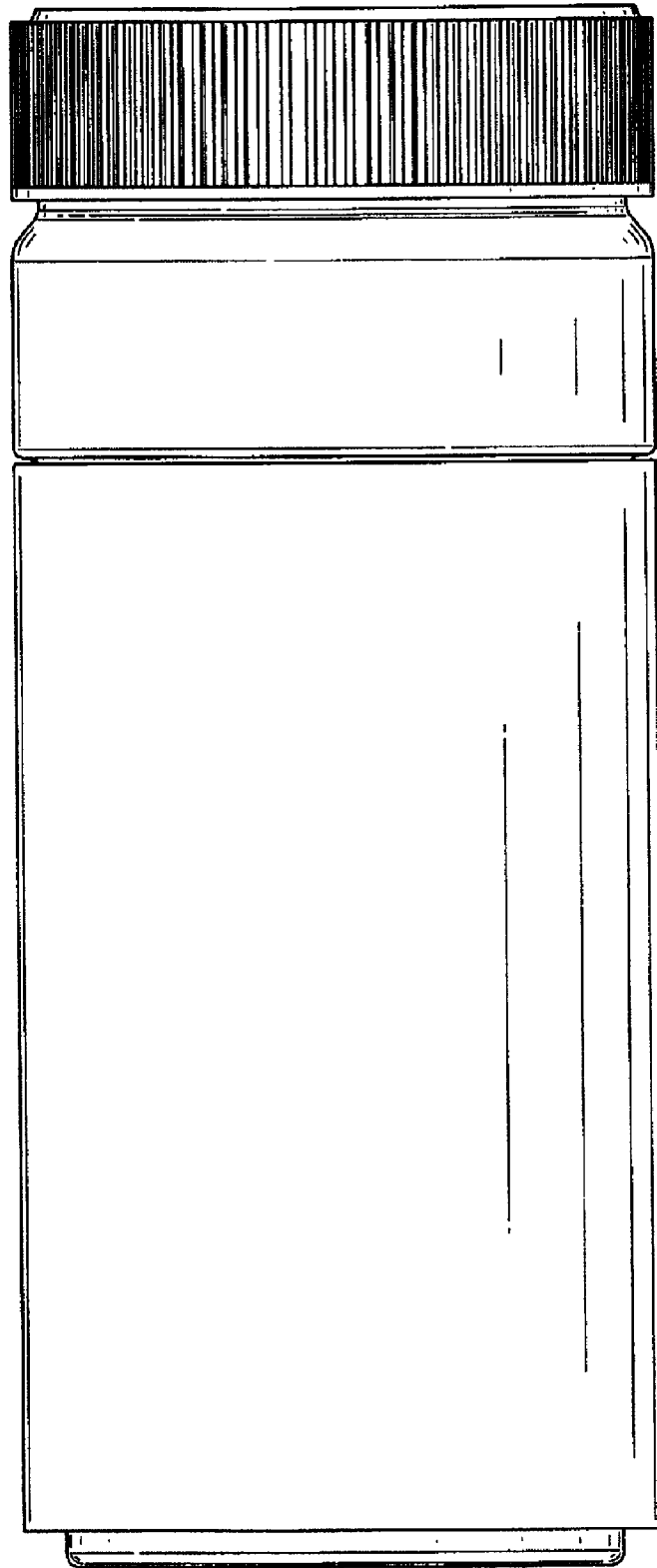


FIG. 4

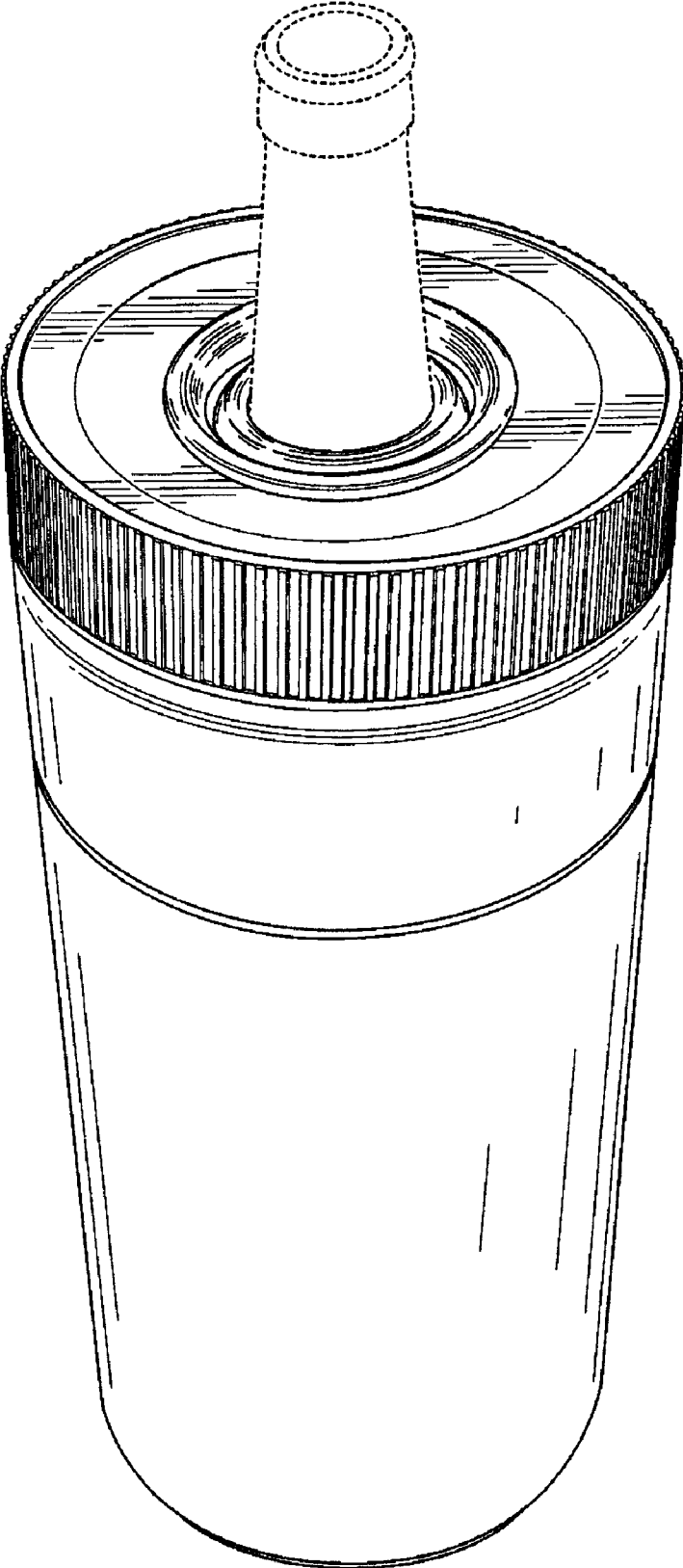


FIG. 5

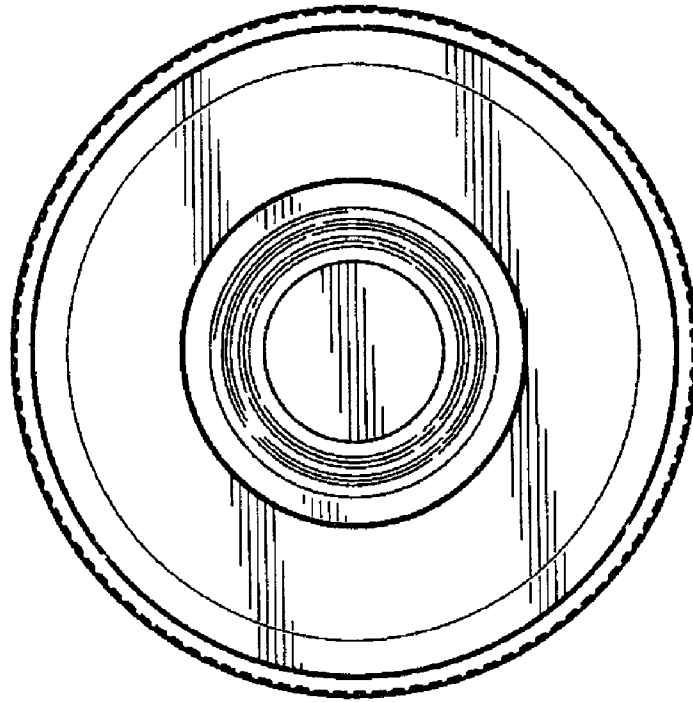


FIG. 6

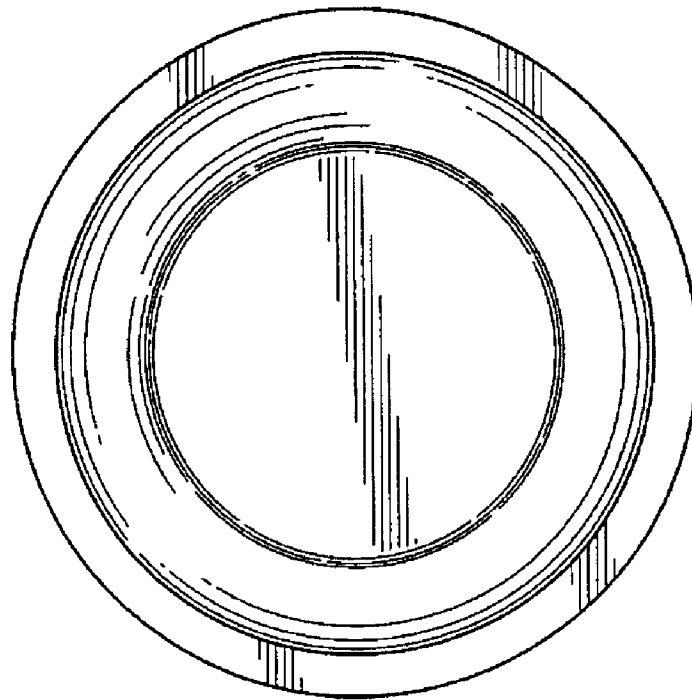


FIG. 7

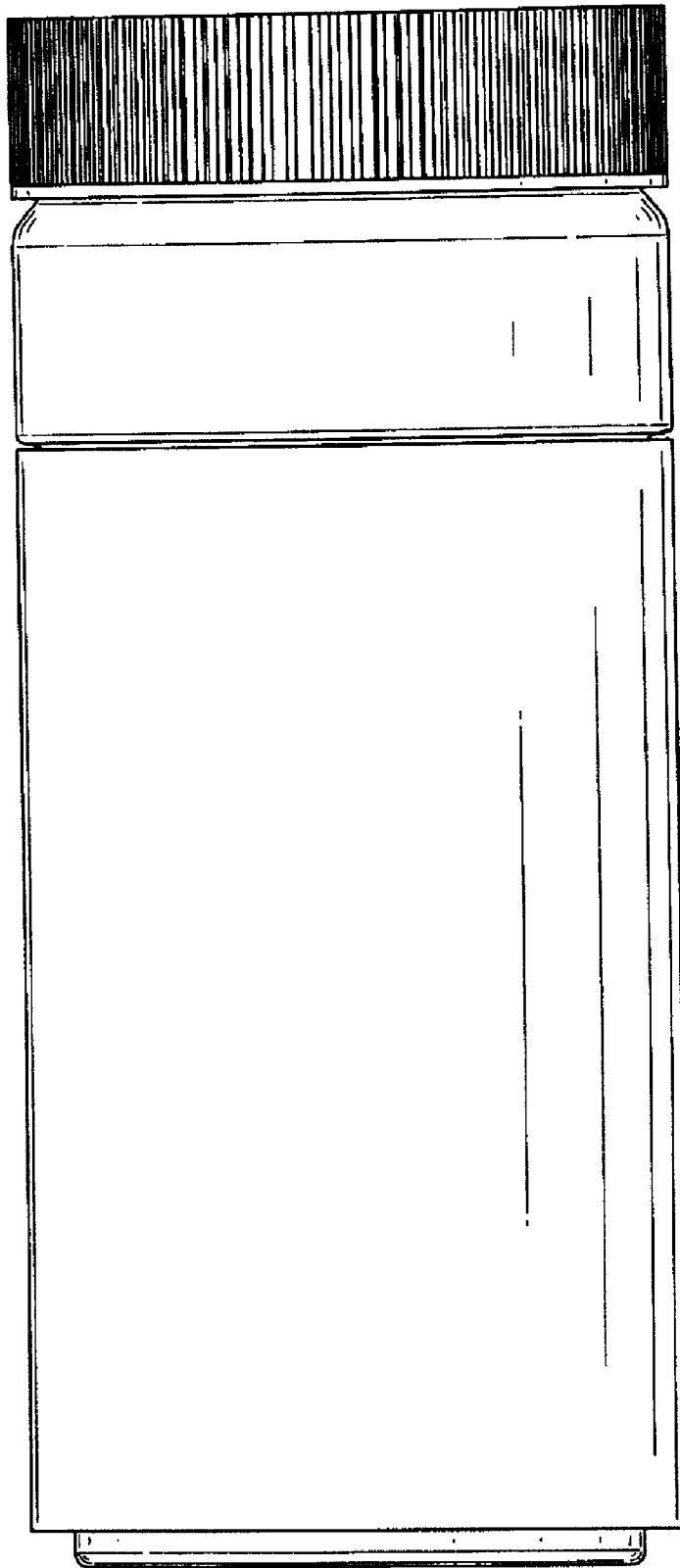


FIG. 8