



US00D810461S

(12) **United States Design Patent**
Bahler

(10) **Patent No.:** **US D810,461 S**

(45) **Date of Patent:** **** Feb. 20, 2018**

(54) **SOAP DISPENSER**

(56) **References Cited**

(71) Applicant: **DELTA FAUCET COMPANY,**
Indianapolis, IN (US)

U.S. PATENT DOCUMENTS

(72) Inventor: **Jordan Bahler,** Frankfort, IN (US)

D479,779 S *	9/2003	Zhao	D6/542
D531,441 S *	11/2006	Soriano	D6/542
D607,679 S *	1/2010	Chen	D6/542
D702,455 S *	4/2014	Garland	D6/542

(73) Assignee: **DELTA FAUCET COMPANY,**
Indianapolis, IN (US)

* cited by examiner

(**) Term: **15 Years**

Primary Examiner — Wan Laymon

Assistant Examiner — Mark Booker

(21) Appl. No.: **29/582,123**

(74) *Attorney, Agent, or Firm* — Edgar A. Zarins; Nirav D. Parikh

(22) Filed: **Oct. 25, 2016**

(57) **CLAIM**

The ornamental design for a soap dispenser, as shown and described.

(51) **LOC (11) Cl.** **23-02**

(52) **U.S. Cl.**
USPC **D6/542**

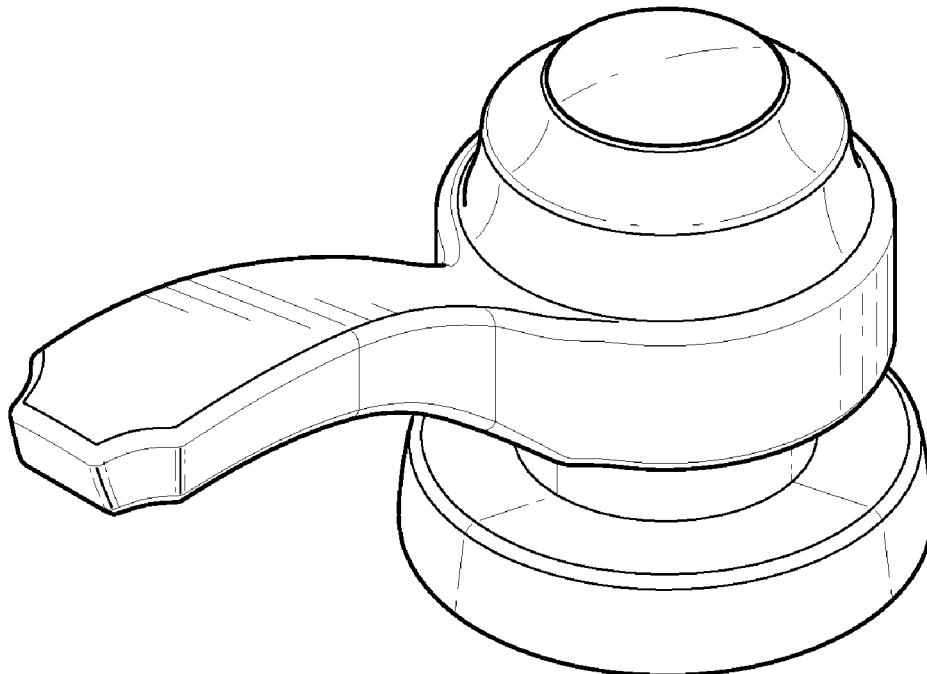
DESCRIPTION

(58) **Field of Classification Search**
USPC D6/542, 512, 524, 543, 544, 545;
D9/448, 682, 688; 221/14, 62, 146.3,
221/173, 181.1, 181.3, 251, 282
CPC A47G 19/24; A47G 21/12; B65D 83/267;
B65D 23/003; B67D 3/0029; A47F 1/085;
A47K 5/02; A47K 5/1202; A47K 5/14;
A47K 5/1211; A47K 5/12; A47K 5/1205;
A47K 5/1207; B05B 7/005; B05B
11/3087; B05B 7/3047; B05B 11/3001;
C11D 17/08

FIG. 1 is a perspective view of a soap dispenser showing my new design;
FIG. 2 is a top plan view thereof;
FIG. 3 is a bottom view thereof;
FIG. 4 is a left side view thereof, the opposite side being a mirror image of the side shown;
FIG. 5 is a front elevational view thereof; and,
FIG. 6 is a rear view thereof.
The broken line showing in the figures is included for the purpose of illustrating portions of the soap dispenser and form no part of the claimed design.

See application file for complete search history.

1 Claim, 2 Drawing Sheets



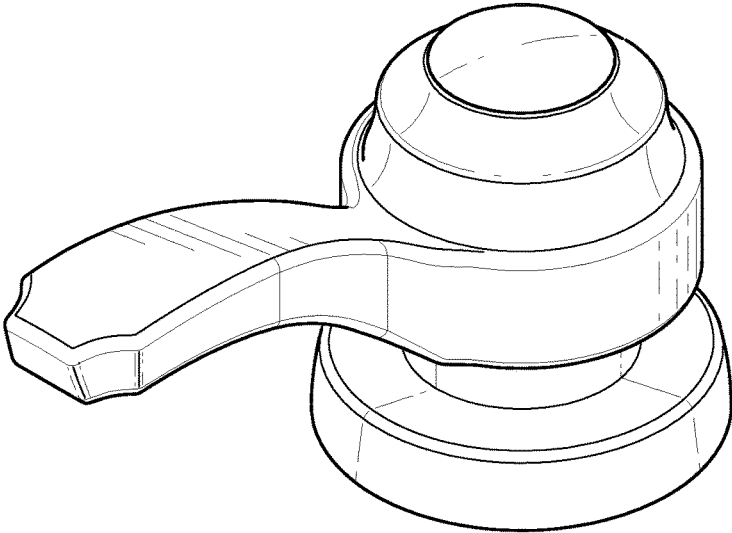


Fig-1

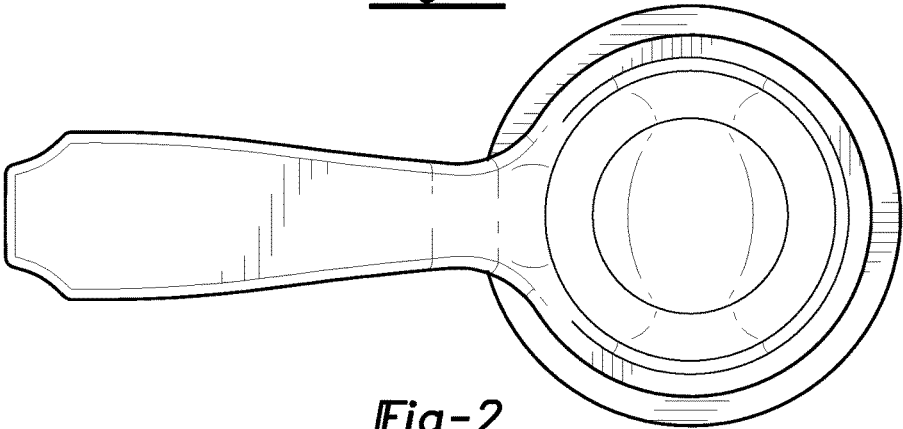


Fig-2

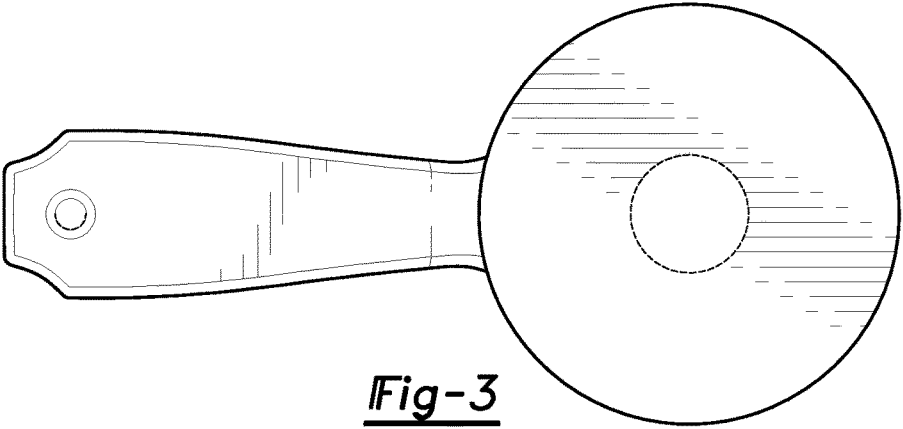


Fig-3

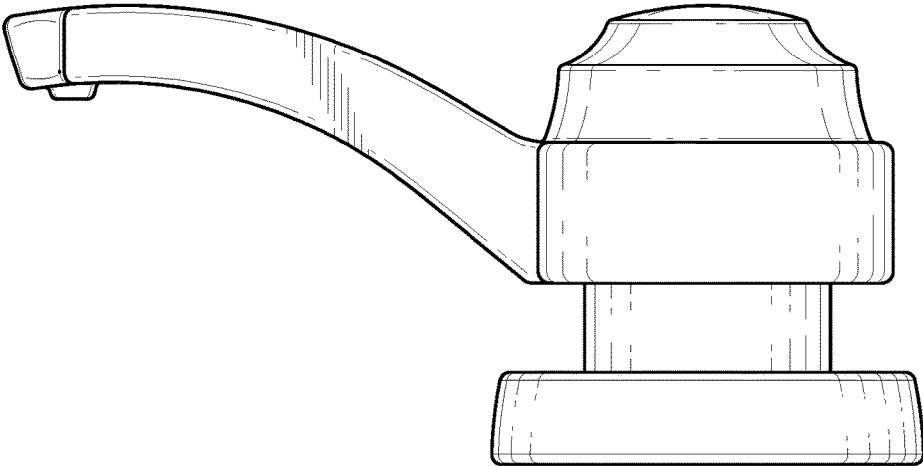


Fig-4

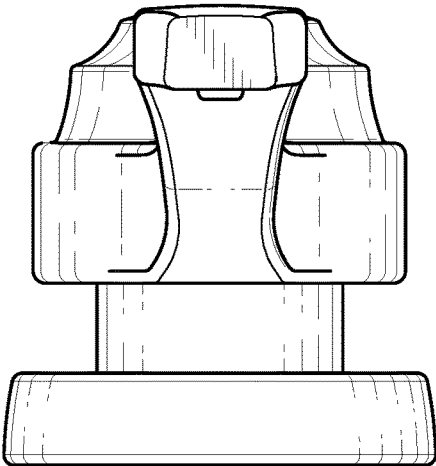


Fig-5

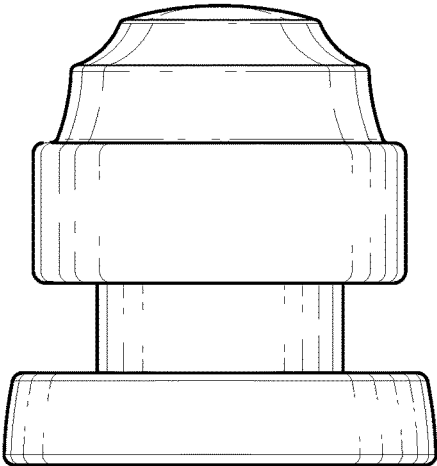


Fig-6