



US00D882147S

(12) **United States Design Patent**
He

(10) **Patent No.:** **US D882,147 S**

(45) **Date of Patent:** **** Apr. 21, 2020**

(54) **SOLAR LIGHT**

(71) Applicant: **Xiaoling He**, Zhuzhou (CN)

(72) Inventor: **Xiaoling He**, Zhuzhou (CN)

(**) Term: **15 Years**

(21) Appl. No.: **29/714,332**

(22) Filed: **Nov. 22, 2019**

(51) **LOC (12) Cl.** **26-03**

(52) **U.S. Cl.**
USPC **D26/85**

(58) **Field of Classification Search**
USPC D26/72, 80, 85
CPC F21S 8/03; F21S 8/033; F21S 8/036; F21S
8/037; F21S 9/022; F21S 9/024; F21S
9/03; F21S 9/035; F21S 9/037; F21W
2131/107; G08B 13/193

See application file for complete search history.

(56) **References Cited**

U.S. PATENT DOCUMENTS

D151,626 S *	11/1948	Kress	D26/85
4,015,163 A *	3/1977	Iacobelli	F21S 8/033 312/238
D553,783 S	10/2007	Loftus et al.	
D829,956 S	10/2018	Liu	
D835,830 S *	12/2018	Liu	D26/85
D836,817 S *	12/2018	Fang	D26/85
D841,864 S *	2/2019	Liu	D26/85
D841,865 S *	2/2019	Deng	D26/85
D844,212 S	3/2019	Chen	
D849,988 S *	5/2019	Li	D26/85
D850,701 S	6/2019	Zhuo	

D861,226 S *	9/2019	Liu	D26/85
D864,459 S *	10/2019	Pan	D26/85
D866,842 S *	11/2019	Wang	D26/85
2017/0370556 A1 *	12/2017	Zheng	F21V 17/107

OTHER PUBLICATIONS

Solar Wall Lights manufactured by JAchoice sold at amazon.com , visited Feb. 13, 2020. (Year: 2020).*

92 LED Solar outdoor motion sensor lights by Aootek, sold at amazon.com as early as Feb. 13, 2019. (Year: 2019).*

* cited by examiner

Primary Examiner — Clare E Heflin

(74) *Attorney, Agent, or Firm* — ScienBiziP, P.C.

(57) **CLAIM**

The ornamental design for a solar light, as shown and described.

DESCRIPTION

FIG. 1 is a bottom, front, left side perspective view of a solar light, showing my design.

FIG. 2 is a top, rear, right side perspective view thereof.

FIG. 3 is a front elevation view thereof.

FIG. 4 is a rear elevation view thereof.

FIG. 5 is a left side elevation view thereof.

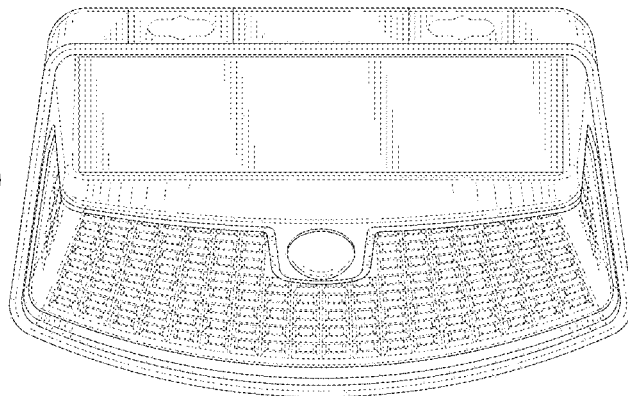
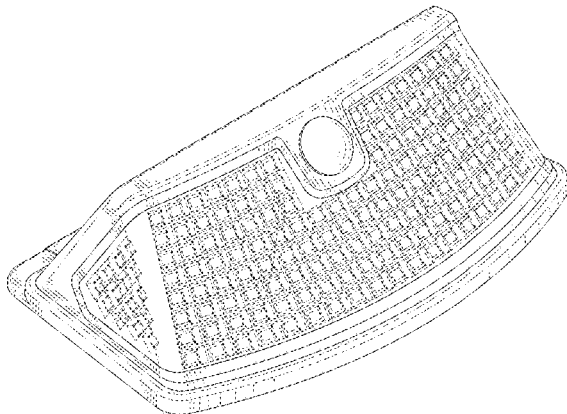
FIG. 6 is a right side elevation view thereof.

FIG. 7 is a top plan view thereof; and,

FIG. 8 is a bottom plan view thereof.

The details shown in broken lines form no part of the claimed design.

1 Claim, 8 Drawing Sheets



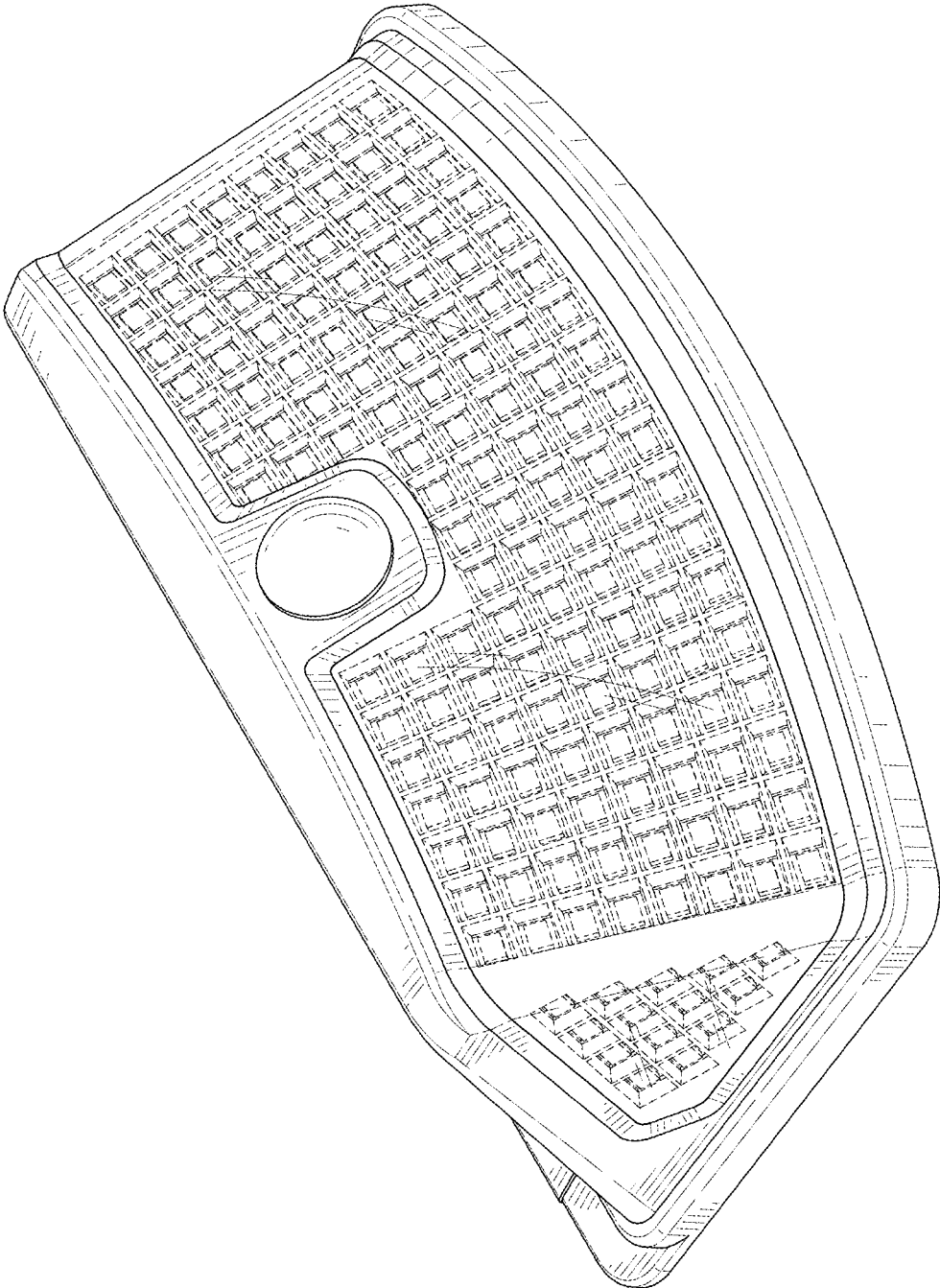


FIG. 1

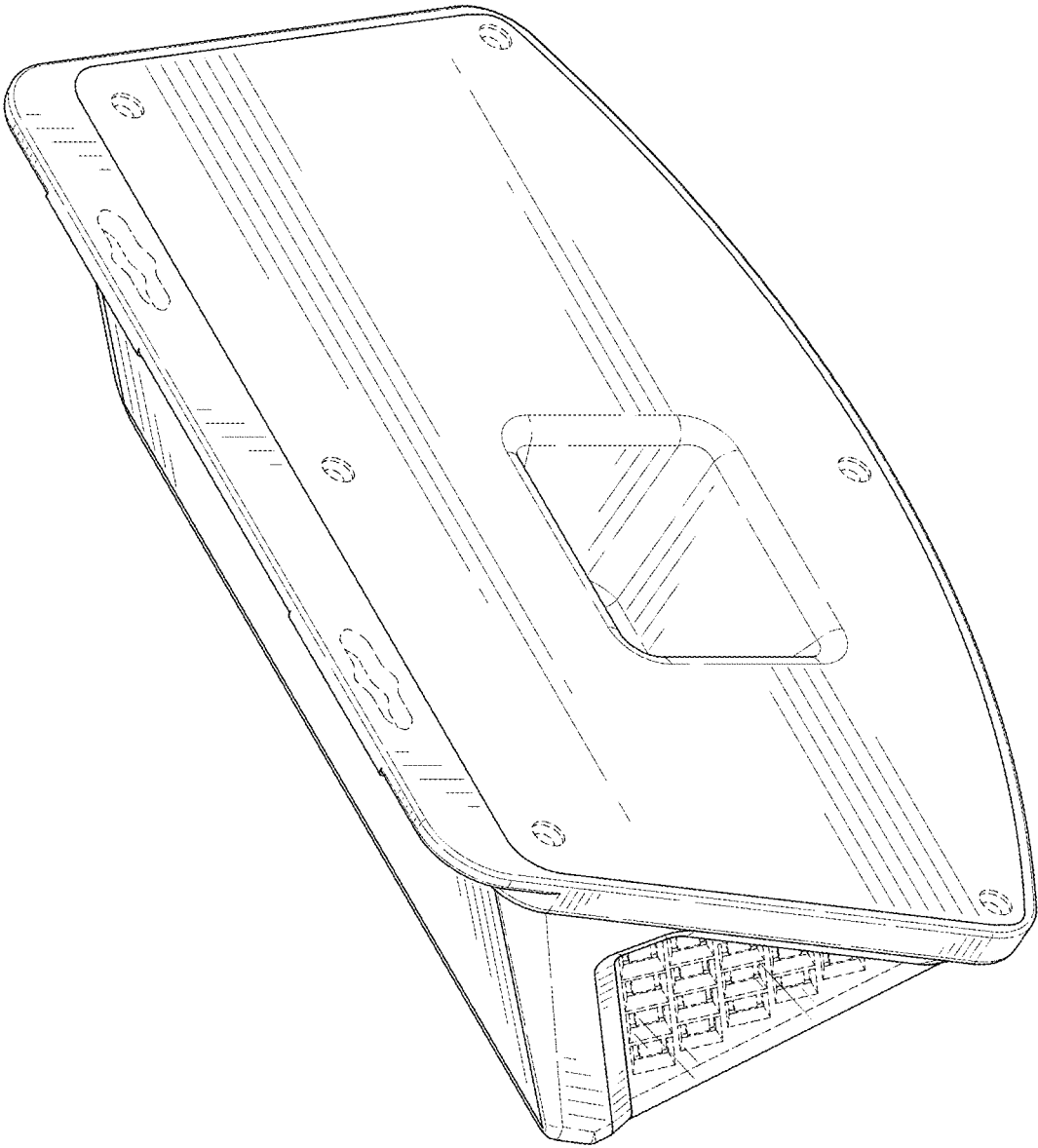


FIG. 2

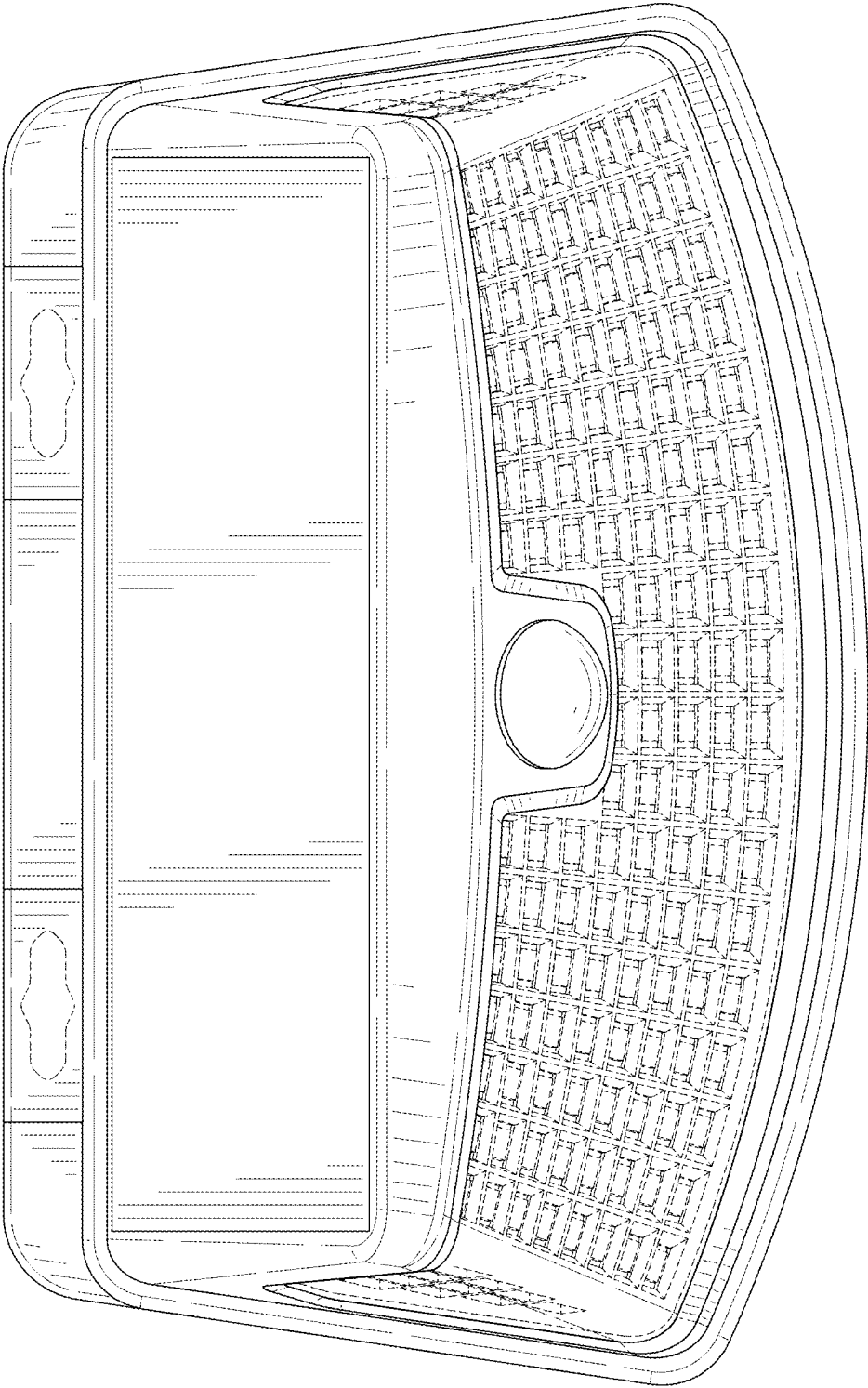


FIG. 3

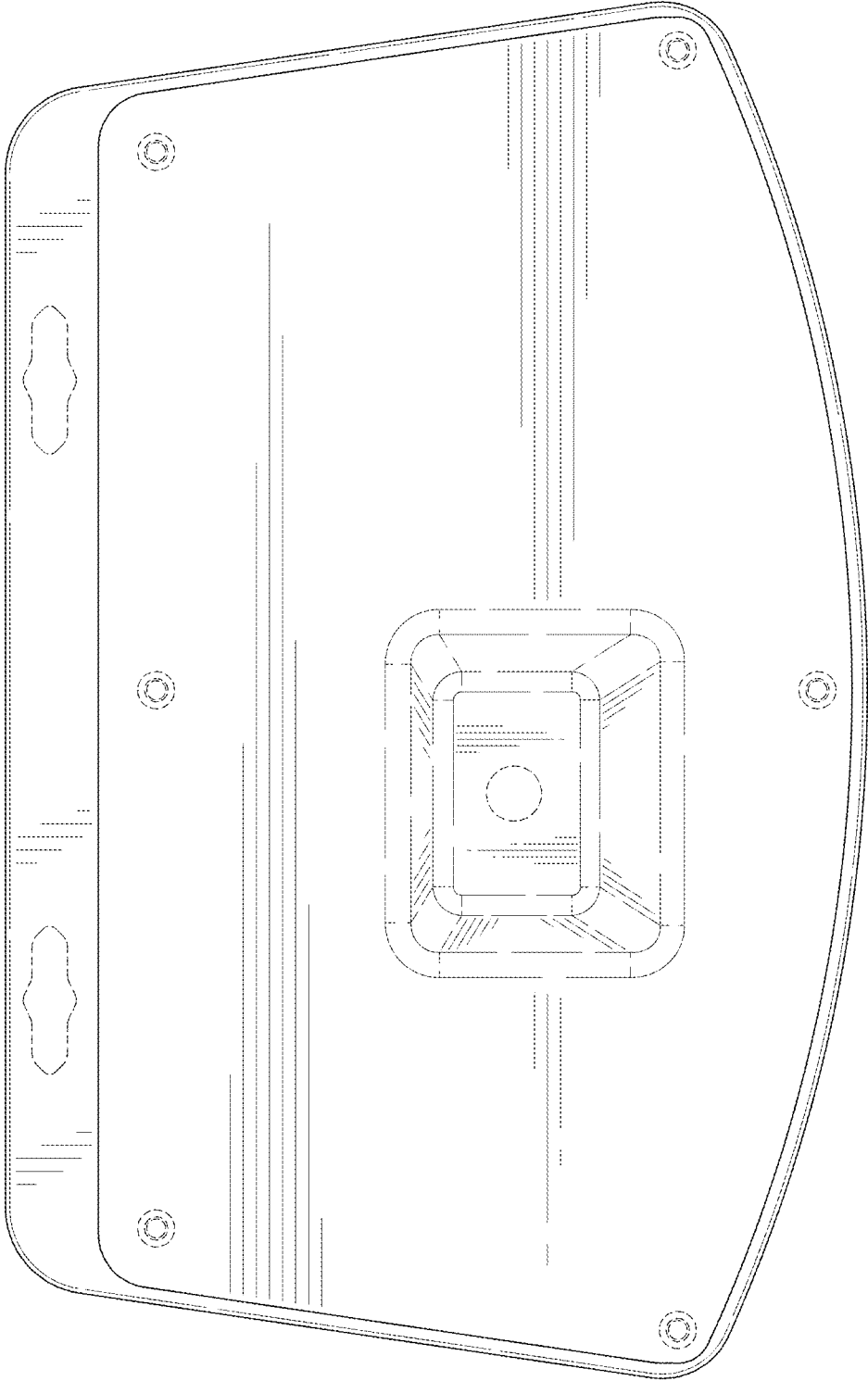


FIG. 4

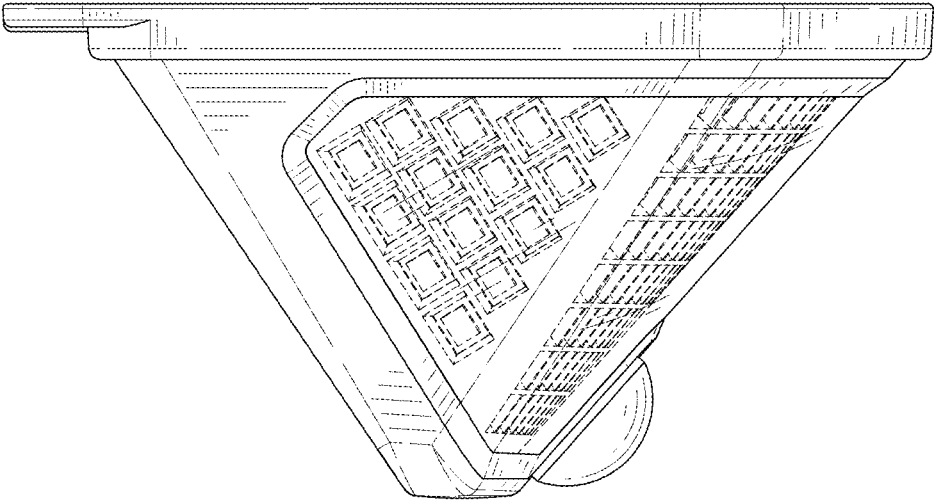


FIG. 5

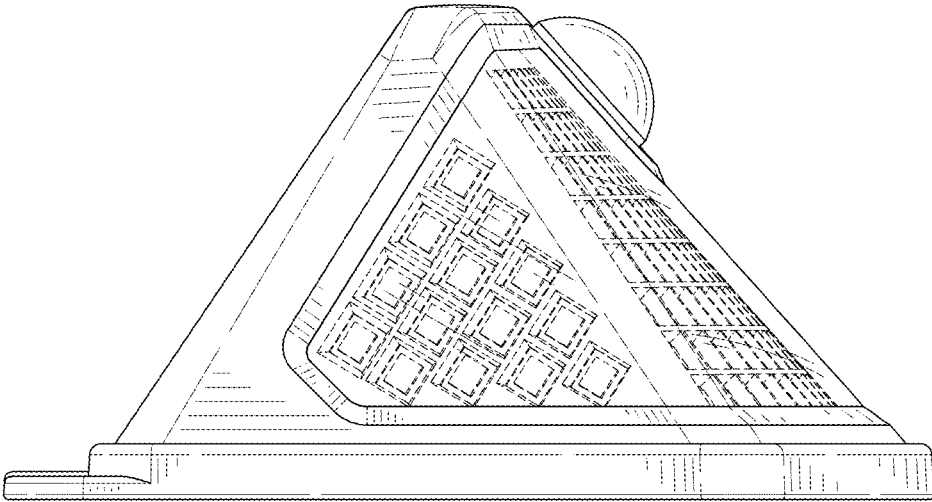


FIG. 6

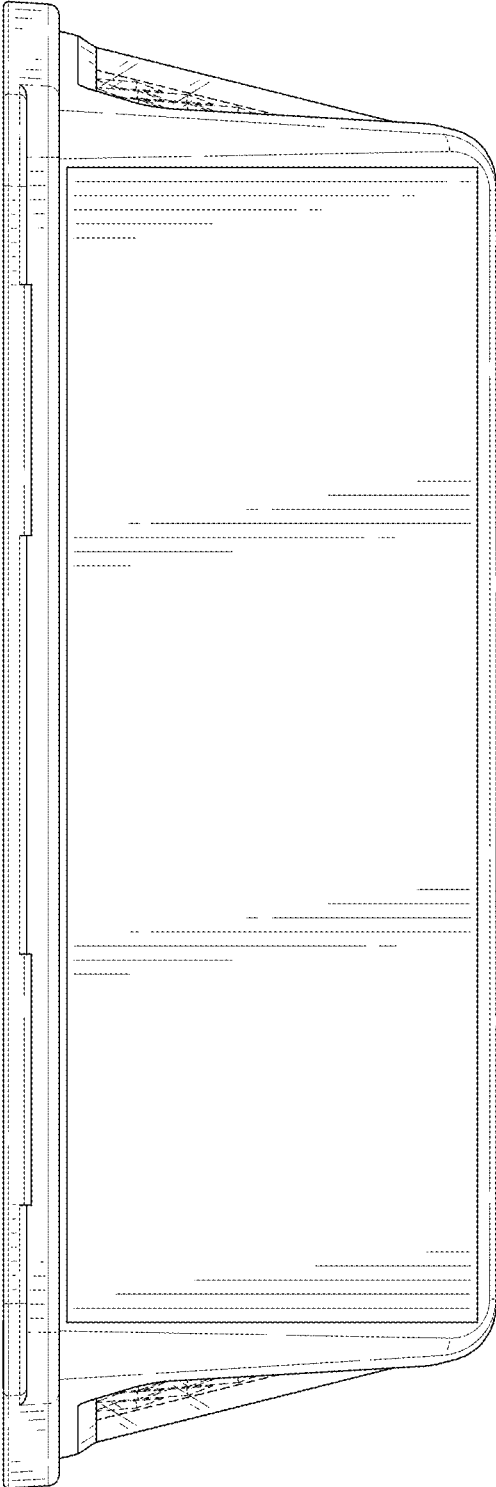


FIG. 7

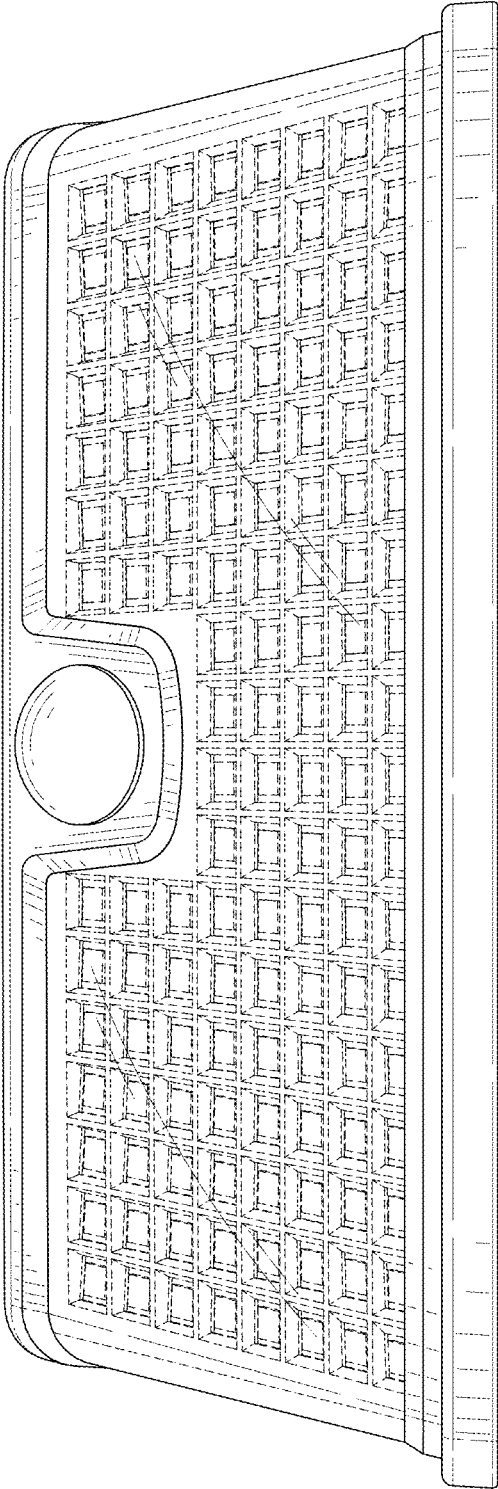


FIG. 8