



US00D525948S

(12) **United States Design Patent**
Blair et al.

(10) **Patent No.:** **US D525,948 S**

(45) **Date of Patent:** **** Aug. 1, 2006**

(54) **REMOTE CONTROL**

(75) Inventors: **Edward J. Blair**, Lansdale, PA (US);
Elliot G. Jacoby, Glenside, PA (US);
Noel Mayo, Philadelphia, PA (US);
Nicole R. Vigue, Bethlehem, PA (US)

(73) Assignee: **Lutron Electronics Co., Inc.**,
Coopersburg, PA (US)

(**) Term: **14 Years**

(21) Appl. No.: **29/230,960**

(22) Filed: **May 27, 2005**

(51) **LOC (8) Cl.** **13-03**

(52) **U.S. Cl.** **D13/168**

(58) **Field of Classification Search** 345/156,
345/168, 169; 348/734; 455/92, 95, 100,
455/128, 151.1-151.4, 325-355; 463/39,
463/42; 700/17, 19, 20, 281; D13/168; D10/104,
D10/106; D14/218, 247; 340/825.22, 825.24,
340/825.25, 825.31, 825.36, 825.69, 825.71,
340/825.72; 341/20, 22, 23, 34, 173, 174,
341/176

See application file for complete search history.

(56) **References Cited**

U.S. PATENT DOCUMENTS

D317,593 S 6/1991 Rowen D13/168
D391,924 S 3/1998 Mayo et al. D13/168
D407,695 S * 4/1999 Hwang D13/168

D450,662 S * 11/2001 Kwok D13/168
D462,332 S 9/2002 Mayo et al. D13/168
D485,534 S 1/2004 Mayo et al. D13/168
6,680,673 B1 * 1/2004 Wong 340/825.69
D490,780 S 6/2004 Mayo et al. D13/168
D496,003 S 9/2004 Spira D13/168
D496,335 S 9/2004 Spira D13/168
D505,922 S 6/2005 Mayo et al. D13/168
D506,447 S 6/2005 Mayo et al. D13/168
D506,731 S 6/2005 Mayo et al. D13/168
D507,244 S 7/2005 Mayo et al. D13/168
6,992,612 B1 * 1/2006 Pessina et al. 341/176
2004/0125078 A1 * 7/2004 Nishimori et al. 345/156

* cited by examiner

Primary Examiner—Selina Sikder

(74) *Attorney, Agent, or Firm*—Drinker Biddle & Reath
LLP

(57) **CLAIM**

The ornamental design for a remote control, as shown and
described.

DESCRIPTION

FIG. 1 is a perspective view of a remote control according
to our new design.

FIG. 2 is a front view thereof.

FIG. 3 is a back view thereof.

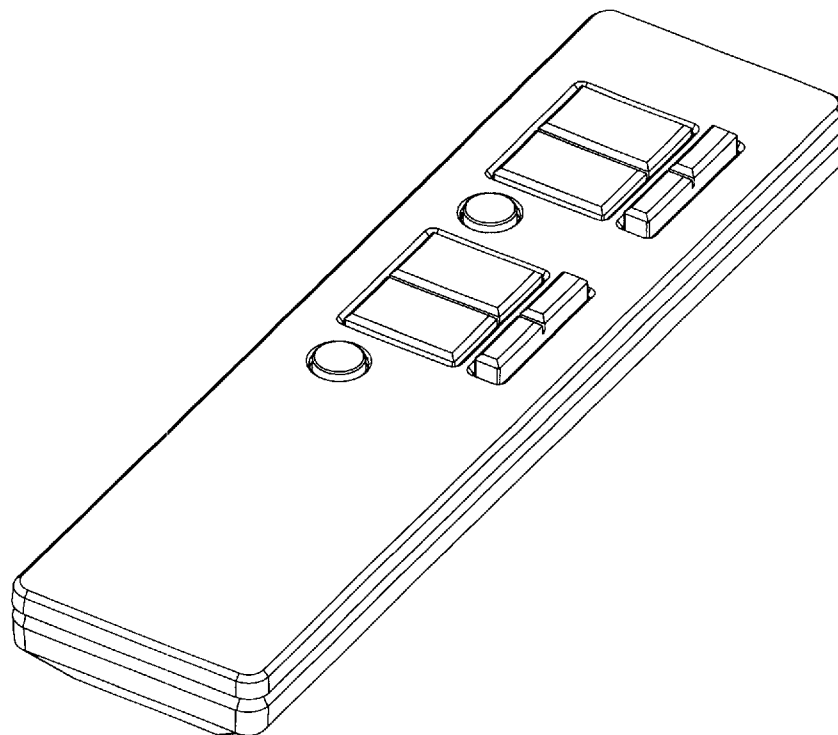
FIG. 4 is a left side view thereof.

FIG. 5 is a right side view thereof.

FIG. 6 is a top view thereof; and,

FIG. 7 is a bottom view thereof.

1 Claim, 4 Drawing Sheets



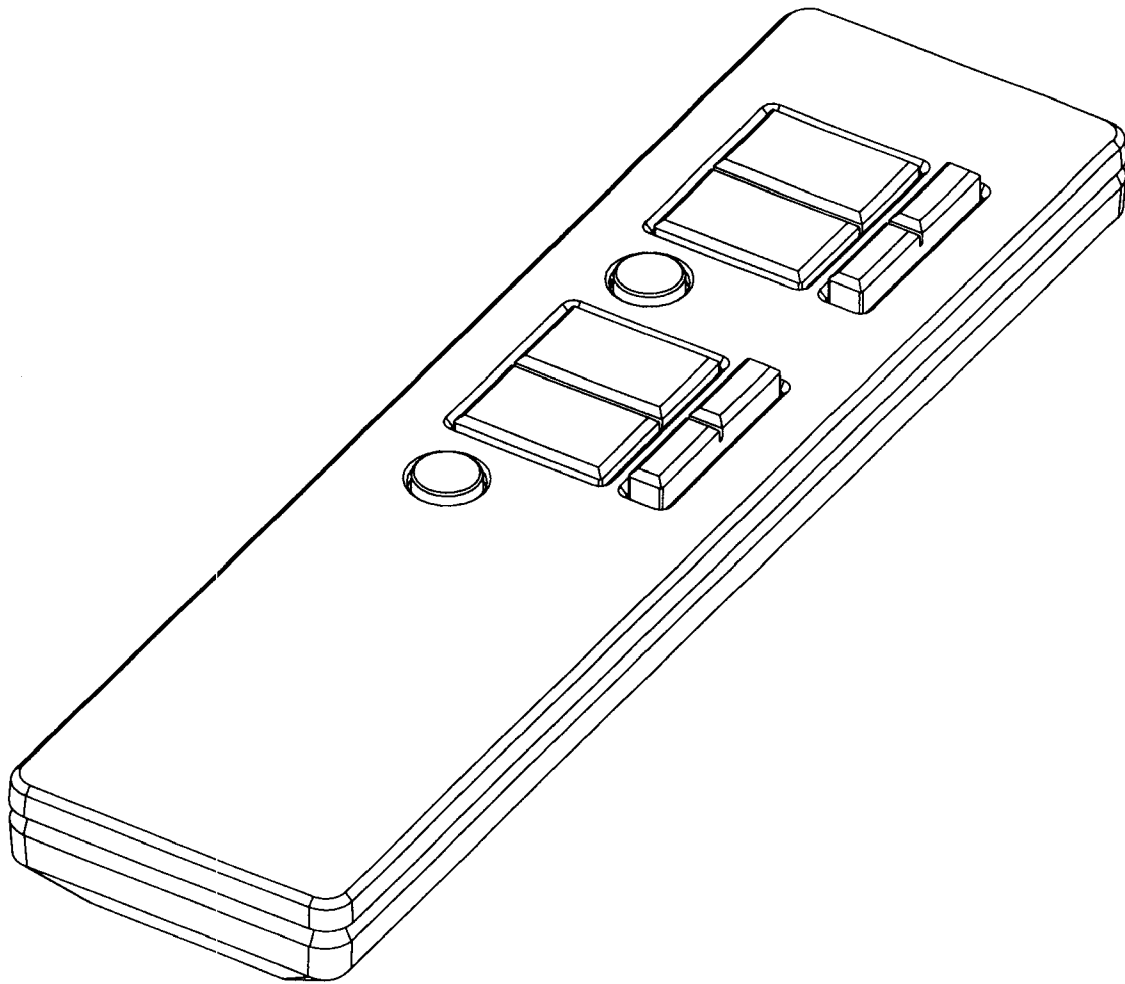


FIG. 1

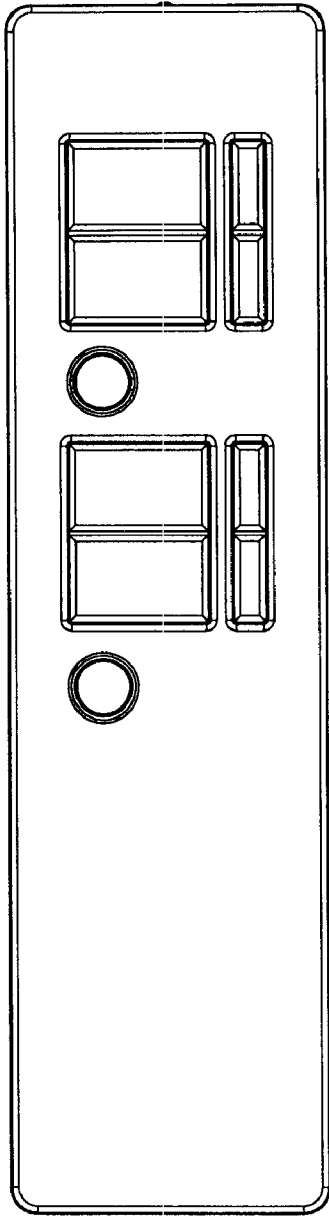


FIG. 2

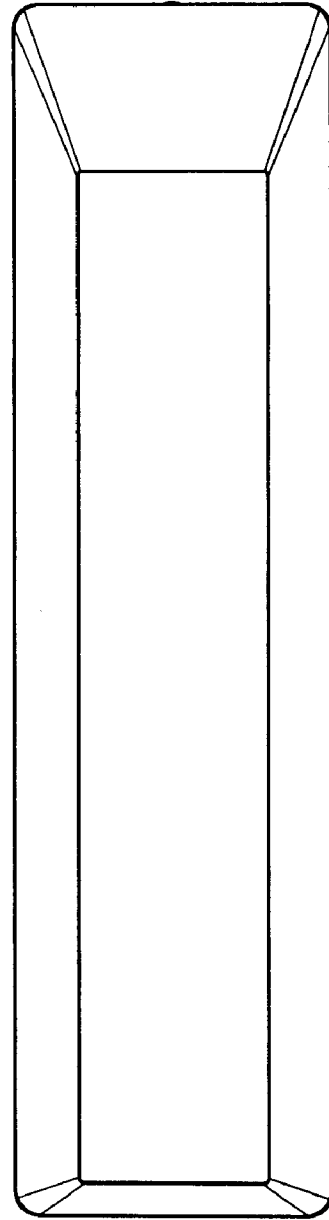


FIG. 3

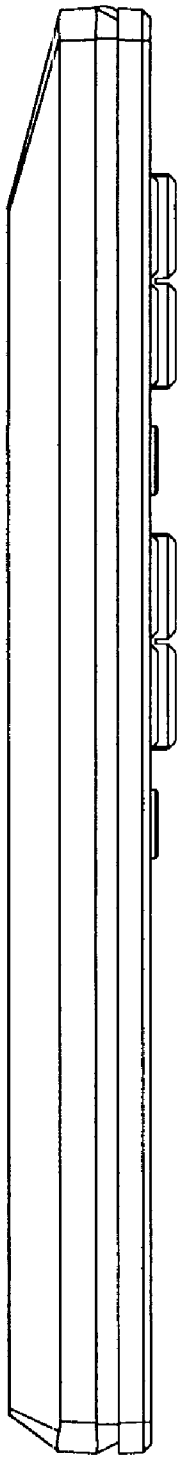


FIG. 4

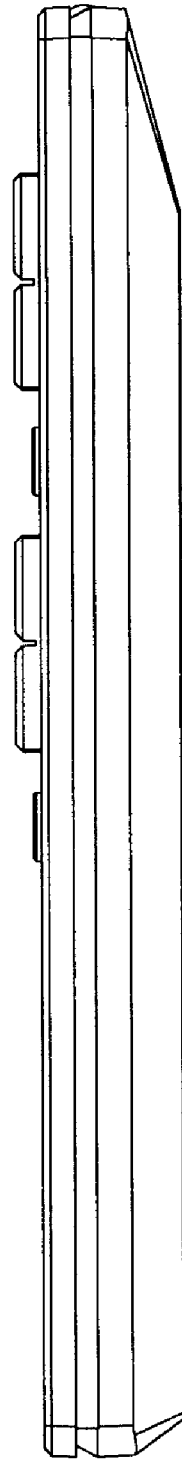


FIG. 5

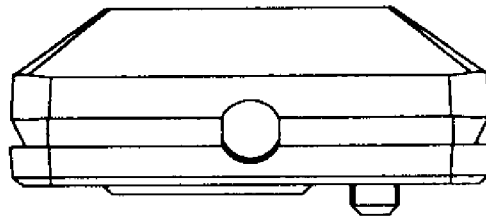


FIG. 6

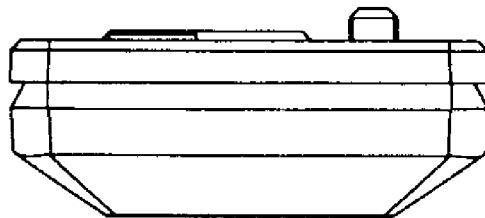


FIG. 7