

(19) World Intellectual Property Organization
International Bureau



(43) International Publication Date
14 December 2006 (14.12.2006)

PCT

(10) International Publication Number
WO 2006/133177 A3

(51) International Patent Classification:
A61M 16/12 (2006.01) B01D 46/00 (2006.01)
A61M 16/08 (2006.01)

GB, GD, GE, GH, GM, HR, HU, ID, IL, IN, IS, JP, KE, KG, KM, KN, KP, KR, KZ, LC, LK, LR, LS, LT, LU, LV, LY, MA, MD, MG, MK, MN, MW, MX, MZ, NA, NG, NI, NO, NZ, OM, PG, PH, PL, PT, RO, RU, SC, SD, SE, SG, SK, SL, SM, SY, TJ, TM, TN, TR, TT, TZ, UA, UG, US, UZ, VC, VN, YU, ZA, ZM, ZW.

(21) International Application Number:
PCT/US2006/021896

(22) International Filing Date: 6 June 2006 (06.06.2006)

(84) Designated States (unless otherwise indicated, for every kind of regional protection available): ARIPO (BW, GH, GM, KE, LS, MW, MZ, NA, SD, SL, SZ, TZ, UG, ZM, ZW), Eurasian (AM, AZ, BY, KG, KZ, MD, RU, TJ, TM), European (AT, BE, BG, CH, CY, CZ, DE, DK, EE, ES, FI, FR, GB, GR, HU, IE, IS, IT, LT, LU, LV, MC, NL, PL, PT, RO, SE, SI, SK, TR), OAPI (BF, BJ, CF, CG, CI, CM, GA, GN, GQ, GW, ML, MR, NE, SN, TD, TG).

(25) Filing Language: English

(26) Publication Language: English

(30) Priority Data:
11/147,553 8 June 2005 (08.06.2005) US

(71) Applicant (for all designated States except US): NOR-
GREN, INC. [US/US]; 5400 S. Delaware Street, Littleton,
CO 80120 (US).

Declarations under Rule 4.17:
— as to applicant's entitlement to apply for and be granted a patent (Rule 4.17(ii))
— as to the applicant's entitlement to claim the priority of the earlier application (Rule 4.17(iii))

(72) Inventor: NGUYEN, Tom, Thong; 865 Graland Lane,
Highlands Ranch, CO 80126 (US).

Published:
— with international search report

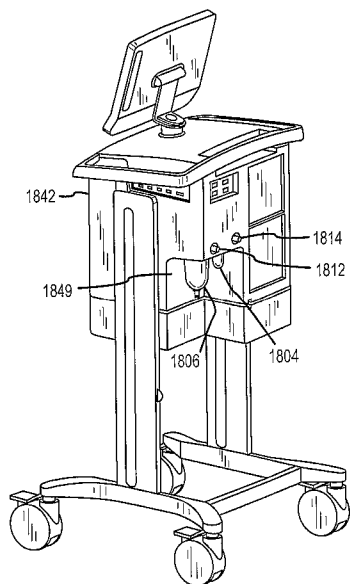
(74) Agents: WEBB, Steven, L. et al.; Boulder Law Group
LLC, 2060 Broadway, Suite 300, Boulder, CO 80302 (US).

(88) Date of publication of the international search report:
1 February 2007

(81) Designated States (unless otherwise indicated, for every kind of national protection available): AE, AG, AL, AM, AT, AU, AZ, BA, BB, BG, BR, BW, BY, BZ, CA, CH, CN, CO, CR, CU, CZ, DE, DK, DM, DZ, EC, EE, EG, ES, FI,

For two-letter codes and other abbreviations, refer to the "Guidance Notes on Codes and Abbreviations" appearing at the beginning of each regular issue of the PCT Gazette.

(54) Title: A VENTILATOR SYSTEM



(57) Abstract: A ventilator system (1842) is disclosed. The ventilator has an inlet fixture (1814) configured to connect to an oxygen source and an inlet fixture (1812) configured to connect to a compressed air source. Both inlet fixtures are placed on the side of the ventilator system (1842) allowing easy access for a user to connect the two gas sources to the ventilator (1842). The ventilator system (1842) also uses an oxygen filter (1804) and a compressed gas filter (1806). The filter elements used in the two filters must be replaced periodically. Both filters are located on the bottom of the ventilator system (1842) and are exposed for easy access to the filter elements. A drain on one of the filter elements may use a self-sealing connector (2055).

WO 2006/133177 A3

INTERNATIONAL SEARCH REPORT

International application No
PCT/US2006/021896

A. CLASSIFICATION OF SUBJECT MATTER
INV. A61M16/12 A61M16/08 B01D46/00

According to International Patent Classification (IPC) or to both national classification and IPC

B. FIELDS SEARCHED

Minimum documentation searched (classification system followed by classification symbols)
A61M B05D B01D F16T

Documentation searched other than minimum documentation to the extent that such documents are included in the fields searched

Electronic data base consulted during the international search (name of data base and, where practical, search terms used)

EPO-Internal, WPI Data

C. DOCUMENTS CONSIDERED TO BE RELEVANT

Category*	Citation of document, with indication, where appropriate, of the relevant passages	Relevant to claim No.
X	J,M CAIRO, SUSAN, P PILBEAM: "Mosby's Respiratory Care Equipment" 2004, MOSBY, INC , USA , XP002401502	1-7,10, 13
Y	page 521 - page 523; figures 12-69 page 619 - page 621; figures 12-114	8,9,11, 12
X	US 4 357 936 A (ELLESTAD RAYMOND A ET AL) 9 November 1982 (1982-11-09) column 4, line 50 - line 61; figure 2	1-3,10, 13
Y	DE 23 54 293 A1 (CATERPILLAR TRACTOR CO) 9 May 1974 (1974-05-09) figures	8,9,11, 12
A	GB 1 481 317 A (NORGREN CO C A) 27 July 1977 (1977-07-27) figures	8,9,11, 12
	-/--	

Further documents are listed in the continuation of Box C.

See patent family annex.

* Special categories of cited documents :

"A" document defining the general state of the art which is not considered to be of particular relevance

"E" earlier document but published on or after the international filing date

"L" document which may throw doubts on priority claim(s) or which is cited to establish the publication date of another citation or other special reason (as specified)

"O" document referring to an oral disclosure, use, exhibition or other means

"P" document published prior to the international filing date but later than the priority date claimed

"T" later document published after the international filing date or priority date and not in conflict with the application but cited to understand the principle or theory underlying the invention

"X" document of particular relevance; the claimed invention cannot be considered novel or cannot be considered to involve an inventive step when the document is taken alone

"Y" document of particular relevance; the claimed invention cannot be considered to involve an inventive step when the document is combined with one or more other such documents, such combination being obvious to a person skilled in the art.

"&" document member of the same patent family

Date of the actual completion of the international search

24 October 2006

Date of mailing of the international search report

13/11/2006

Name and mailing address of the ISA/

European Patent Office, P.B. 5818 Patentlaan 2
NL - 2280 HV Rijswijk
Tel. (+31-70) 340-2040, Tx. 31 651 epo nl,
Fax: (+31-70) 340-3016

Authorized officer

Valfort, Cyril

INTERNATIONAL SEARCH REPORT

International application No
PCT/US2006/021896

C(Continuation). DOCUMENTS CONSIDERED TO BE RELEVANT

Category*	Citation of document, with indication, where appropriate, of the relevant passages	Relevant to claim No.
A	US 4 079 744 A (FRANSON DAVID CRAIG ET AL) 21 March 1978 (1978-03-21) abstract; figures -----	8,9,11, 12

INTERNATIONAL SEARCH REPORT

Information on patent family members

International application No

PCT/US2006/021896

Patent document cited in search report	Publication date	Patent family member(s)	Publication date
US 4357936	A	09-11-1982	NONE
DE 2354293	A1	09-05-1974	BE 806563 A1 26-04-1974 CA 992928 A1 13-07-1976 GB 1444574 A 04-08-1976 JP 49077230 A 25-07-1974 US 3879013 A 22-04-1975
GB 1481317	A	27-07-1977	AR 201599 A1 31-03-1975 CA 1037879 A1 05-09-1978 JP 50033561 A 31-03-1975
US 4079744	A	21-03-1978	NONE