



US00D462969S

(12) **United States Design Patent** (10) **Patent No.:** **US D462,969 S**  
**Schärer et al.** (45) **Date of Patent:** **\*\* Sep. 17, 2002**

(54) **SCREEN HOLDING DEVICE**  
(75) Inventors: **Alexander Schärer**, Bern; **Antonio Cassani**, Münsingen; **Kaspar Stöckli**, Kiesen; **Stephan Künzi**, Bern, all of (CH)

5,743,503 A 4/1998 Voeller et al.  
5,842,672 A 12/1998 Sweere et al.  
D430,166 S \* 8/2000 Takagi  
D430,570 S \* 9/2000 Lee

**FOREIGN PATENT DOCUMENTS**

(73) Assignee: **USM Holding AG**, Gumligen (CH)  
(\*\*) Term: **14 Years**

CH 336567 2/1959  
CH 519117 2/1972  
DE 9011338 10/1990  
EP 0312355 4/1989  
EP 508178 10/1992

\* cited by examiner

(21) Appl. No.: **29/133,054**  
(22) Filed: **Nov. 22, 2000**

*Primary Examiner*—M. H. Tung

(30) **Foreign Application Priority Data**  
May 23, 2000 (CH) ..... 127068  
(51) **LOC (7) Cl.** ..... **14-02**  
(52) **U.S. Cl.** ..... **D14/447**  
(58) **Field of Search** ..... 248/917-24, 281.11,  
248/278.1, 280.11, 284.1, 285.1, 286.1;  
361/680-86; 348/827; D14/342, 447, 451-2;  
D19/91; D8/349, 354, 363, 373

(57) **CLAIM**

The ornamental design for a screen holding device, as shown and described.

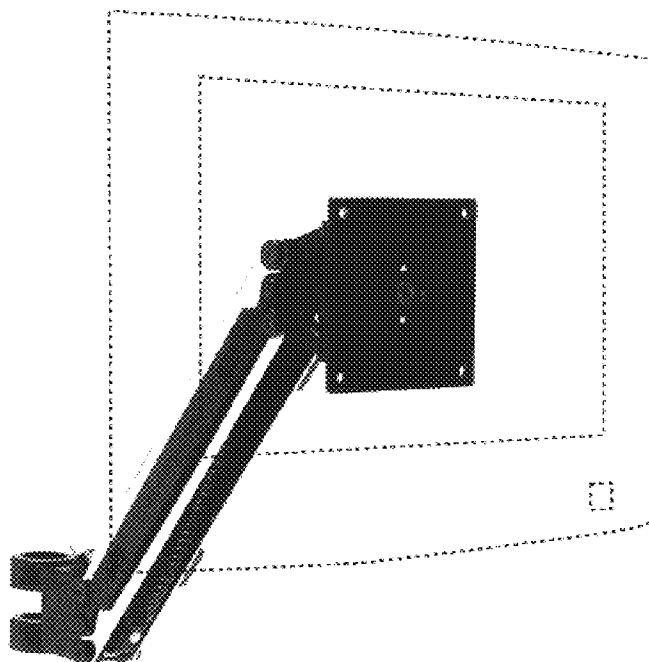
**DESCRIPTION**

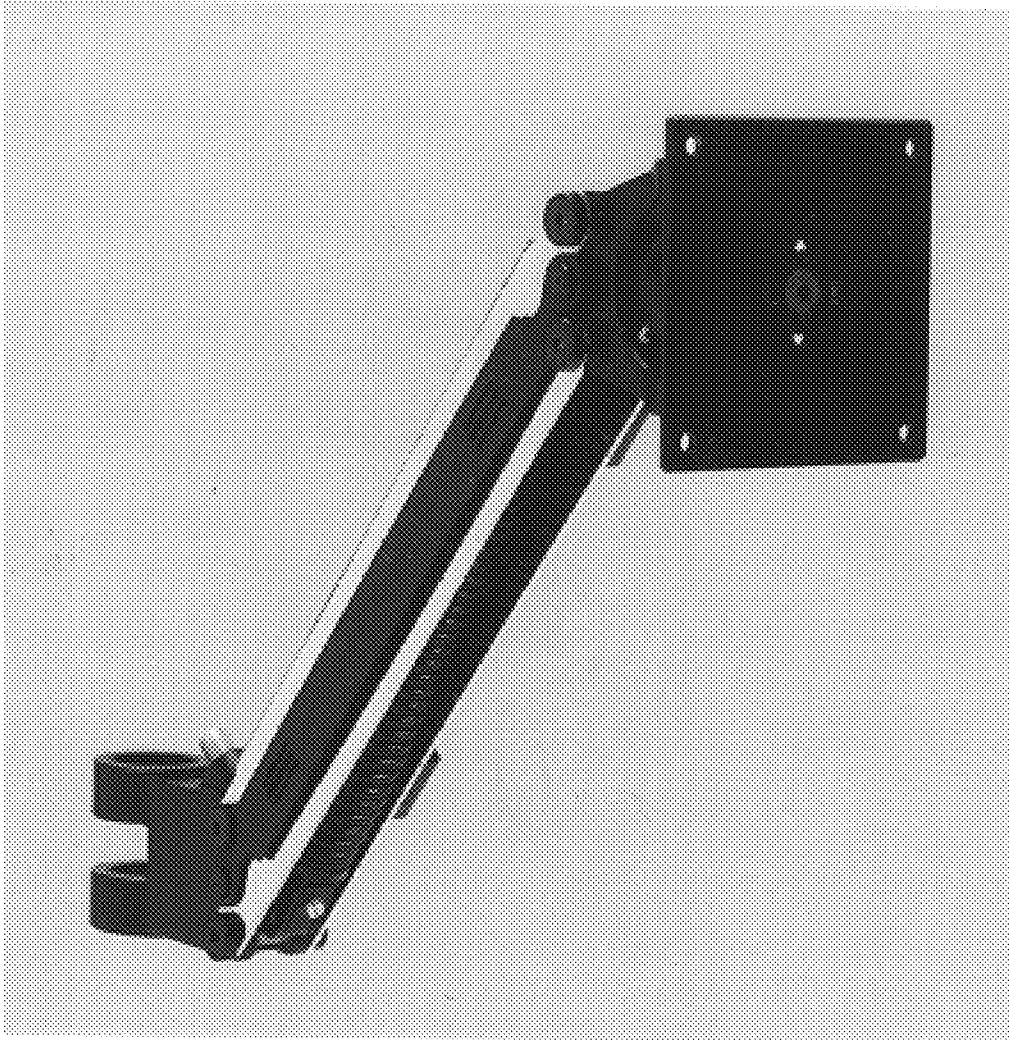
FIG. 1 is a front perspective view of a screen holding device showing our new design;  
FIG. 2 is a front view thereof;  
FIG. 3 is a rear view thereof;  
FIG. 4 is a right side view thereof;  
FIG. 5 is a left side view thereof;  
FIG. 6 is a front, lower perspective view thereof;  
FIG. 7 is a rear perspective view thereof;  
FIG. 8 is a front perspective view thereof, the broken line drawing of a screen is for illustrative purposes only and forms no part of the claimed design; and,  
FIG. 9 is a right side view thereof, the broken line drawing of a screen is for illustrative purposes only and forms no part of the claimed design.

(56) **References Cited**  
**U.S. PATENT DOCUMENTS**

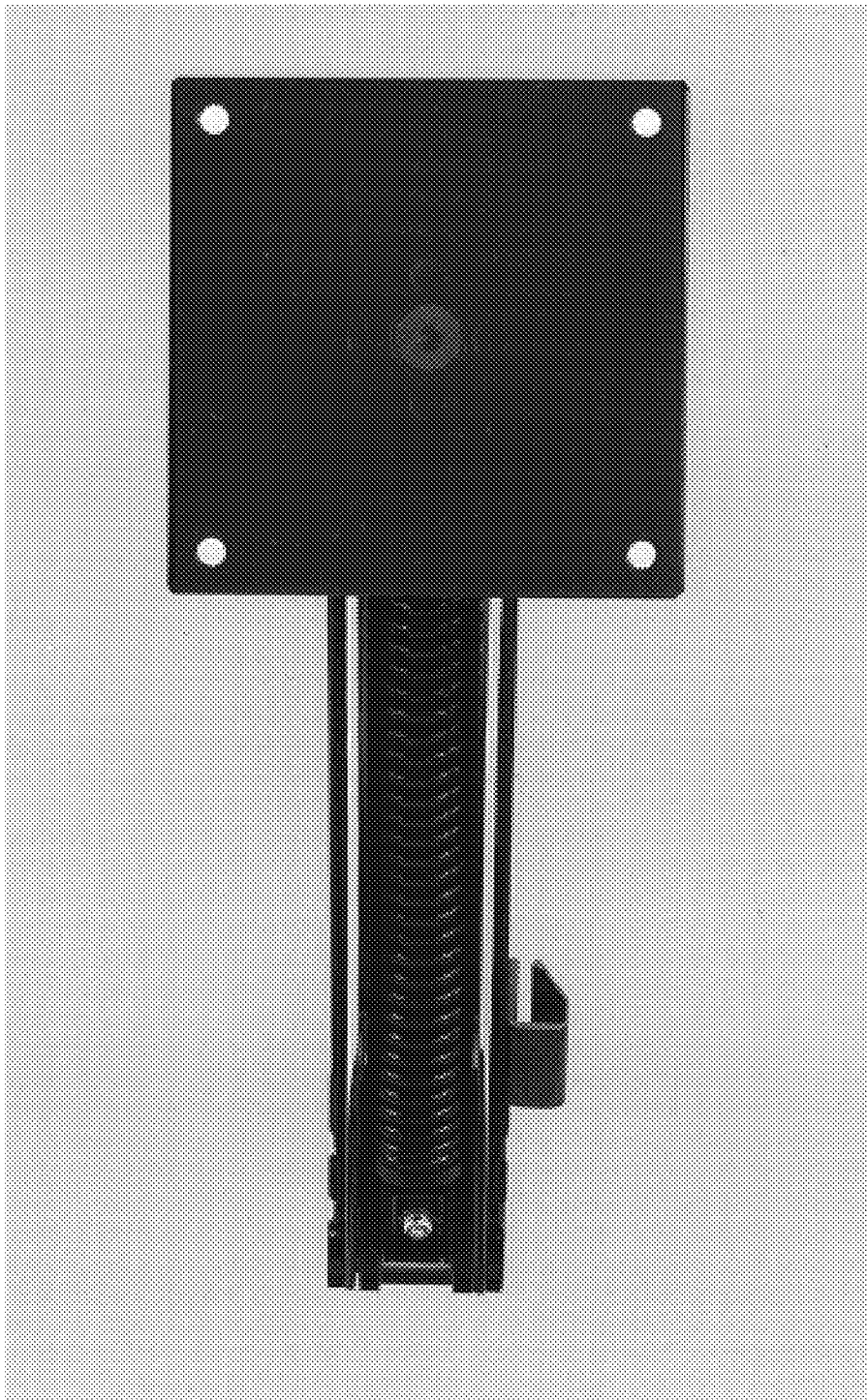
3,951,557 A 4/1976 Herbenar  
4,447,139 A 5/1984 Biber  
D275,431 S \* 9/1984 Usab  
4,523,732 A 6/1985 Biber et al.  
4,568,216 A 2/1986 Mizusawa et al.  
4,765,580 A 8/1988 Wright  
D323,323 S \* 1/1992 Klaebel  
D331,921 S \* 12/1992 Gutke et al.  
5,505,424 A 4/1996 Niemann  
D391,946 S \* 3/1998 Rosen

**1 Claim, 9 Drawing Sheets**

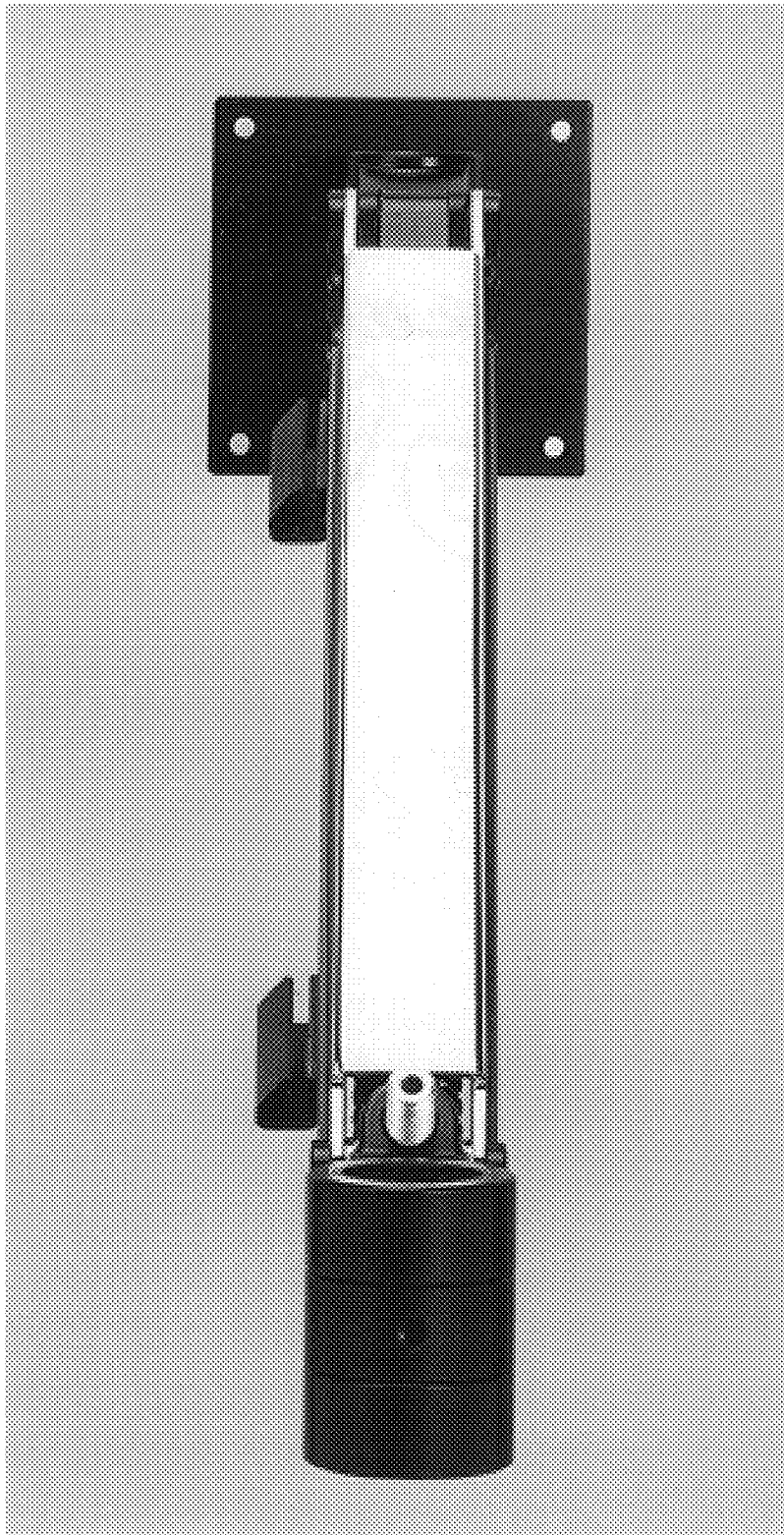




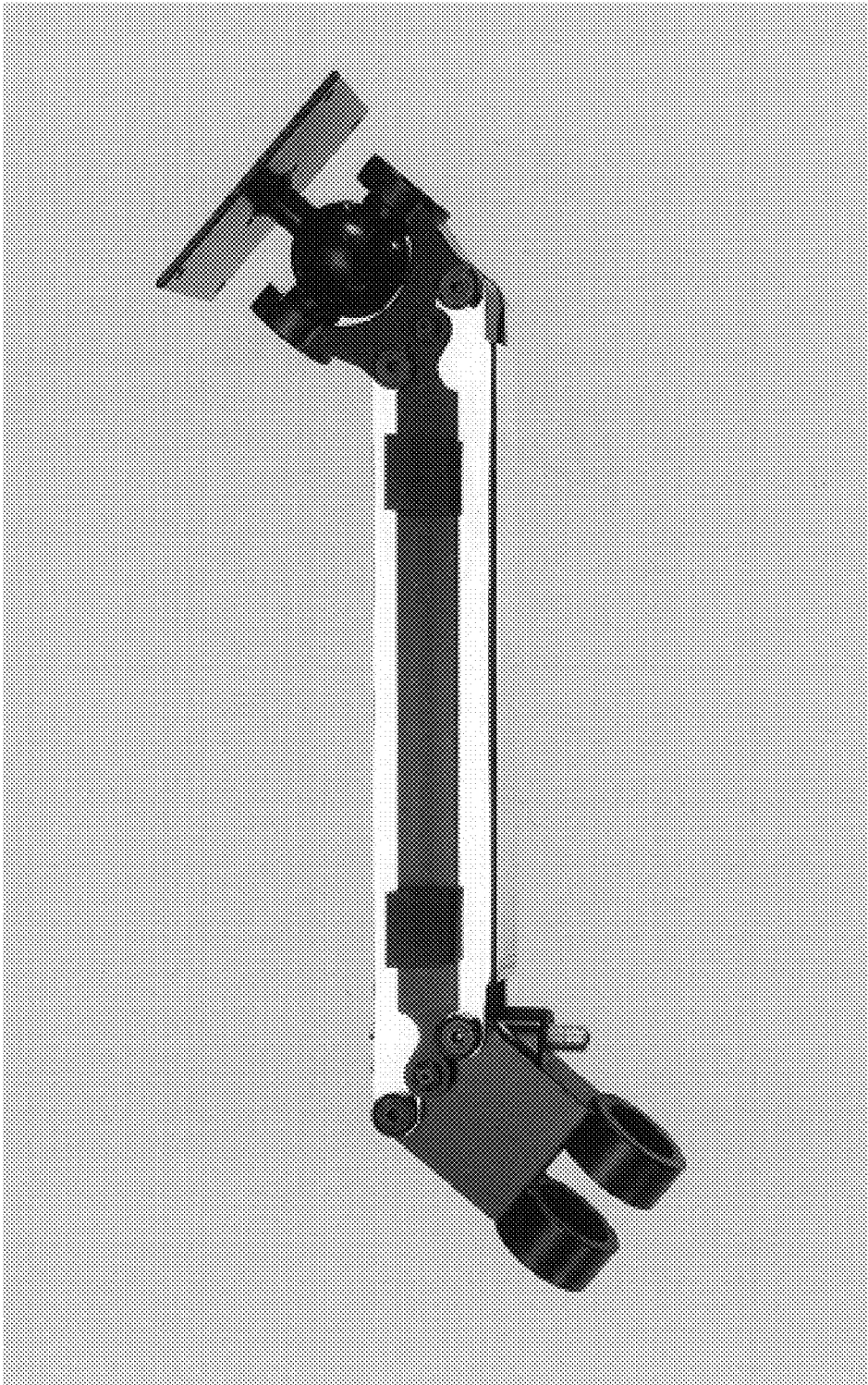
**FIG. 1**



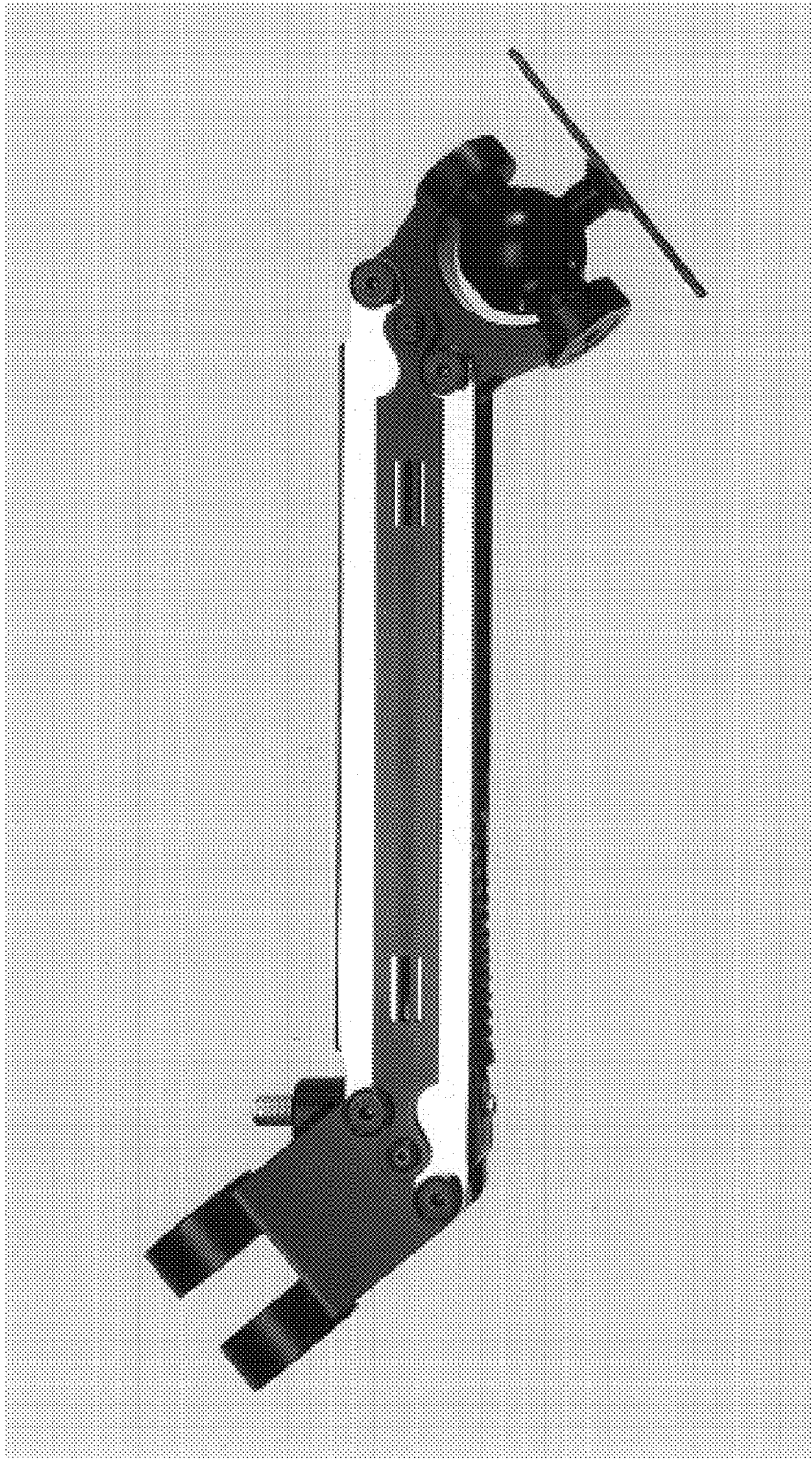
**FIG. 2**



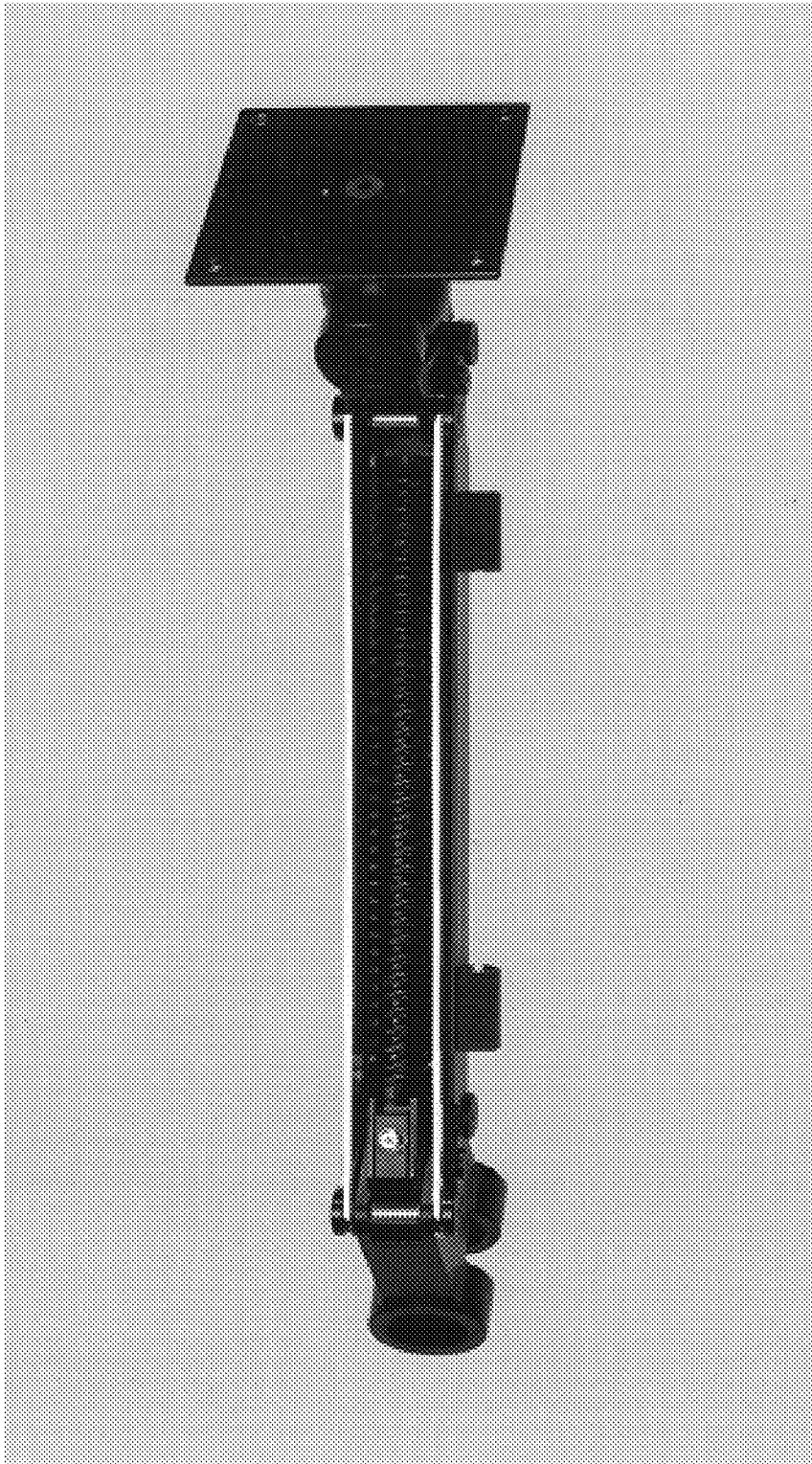
**FIG. 3**



**FIG. 4**

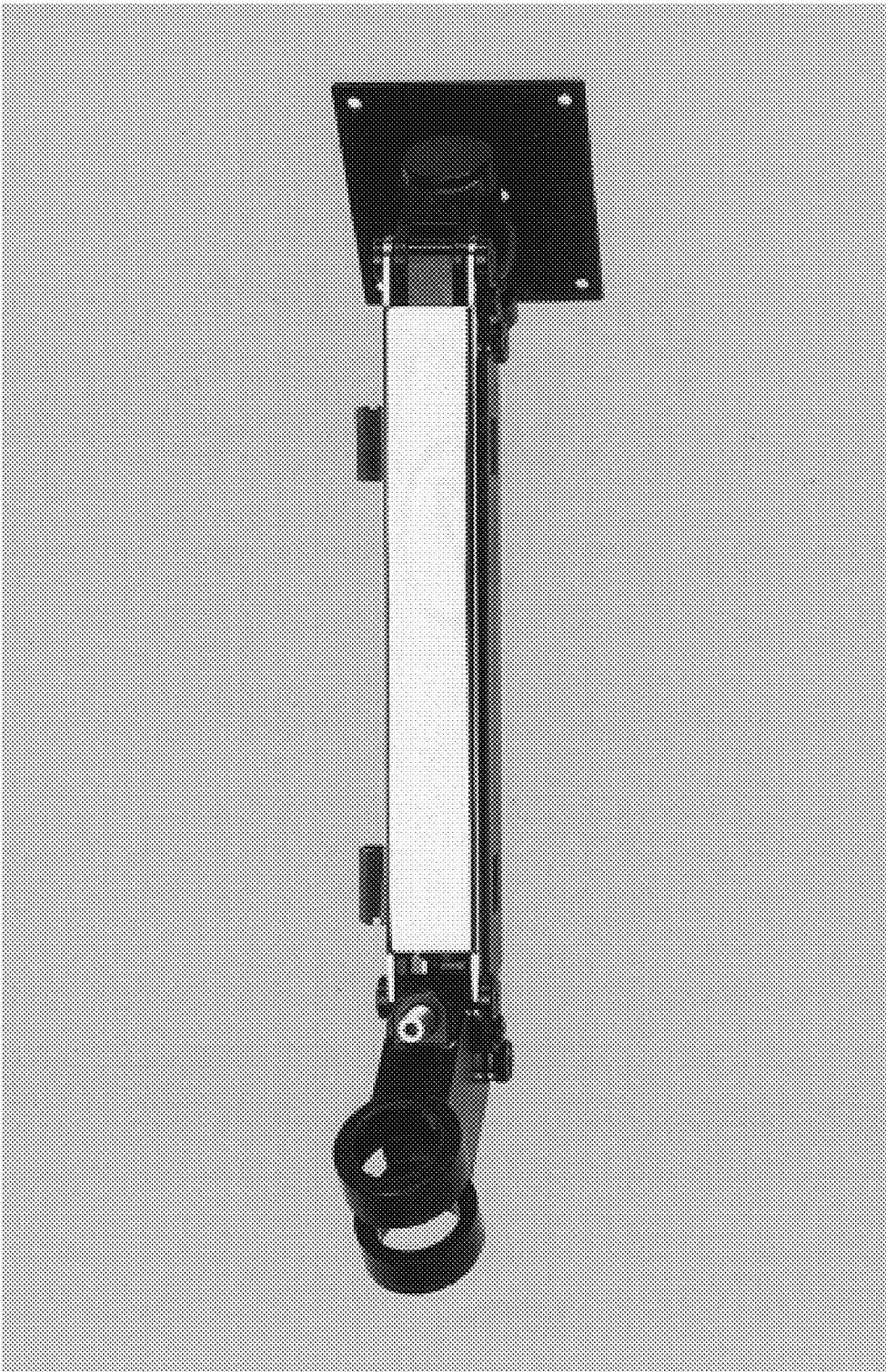


**FIG. 5**



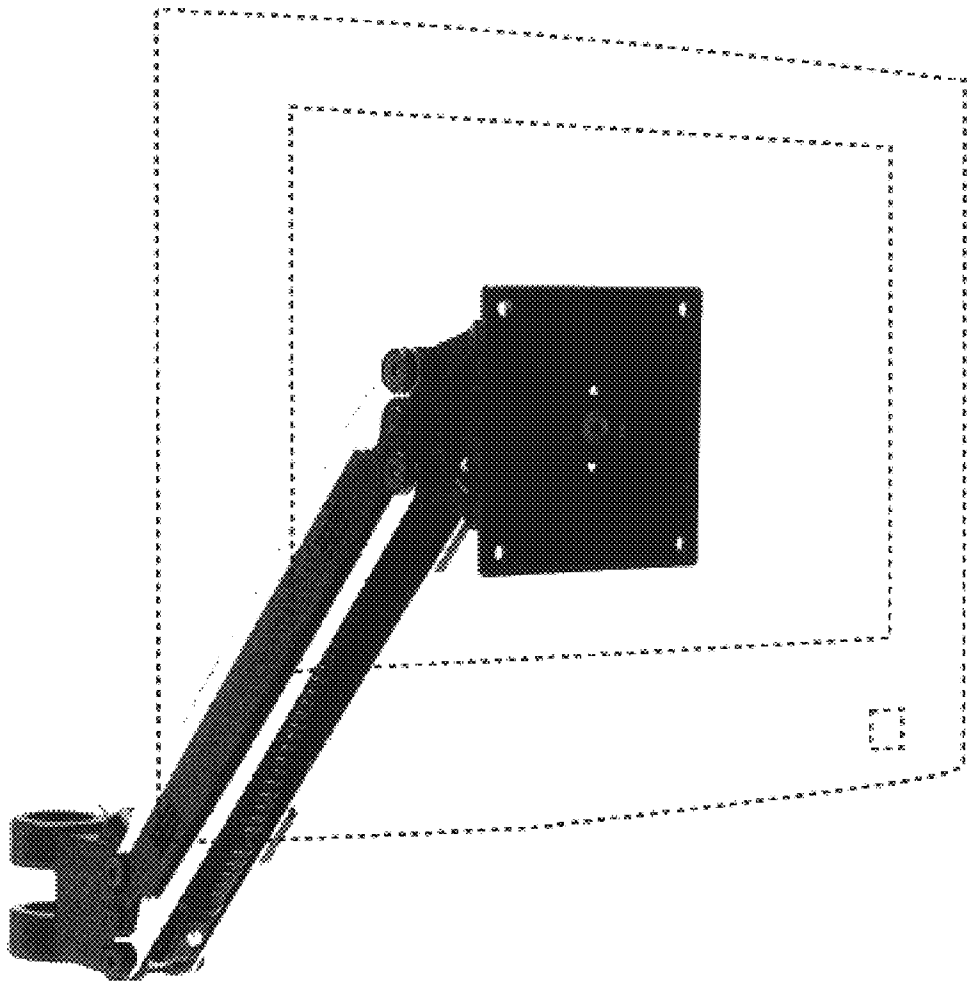
**FIG. 6**



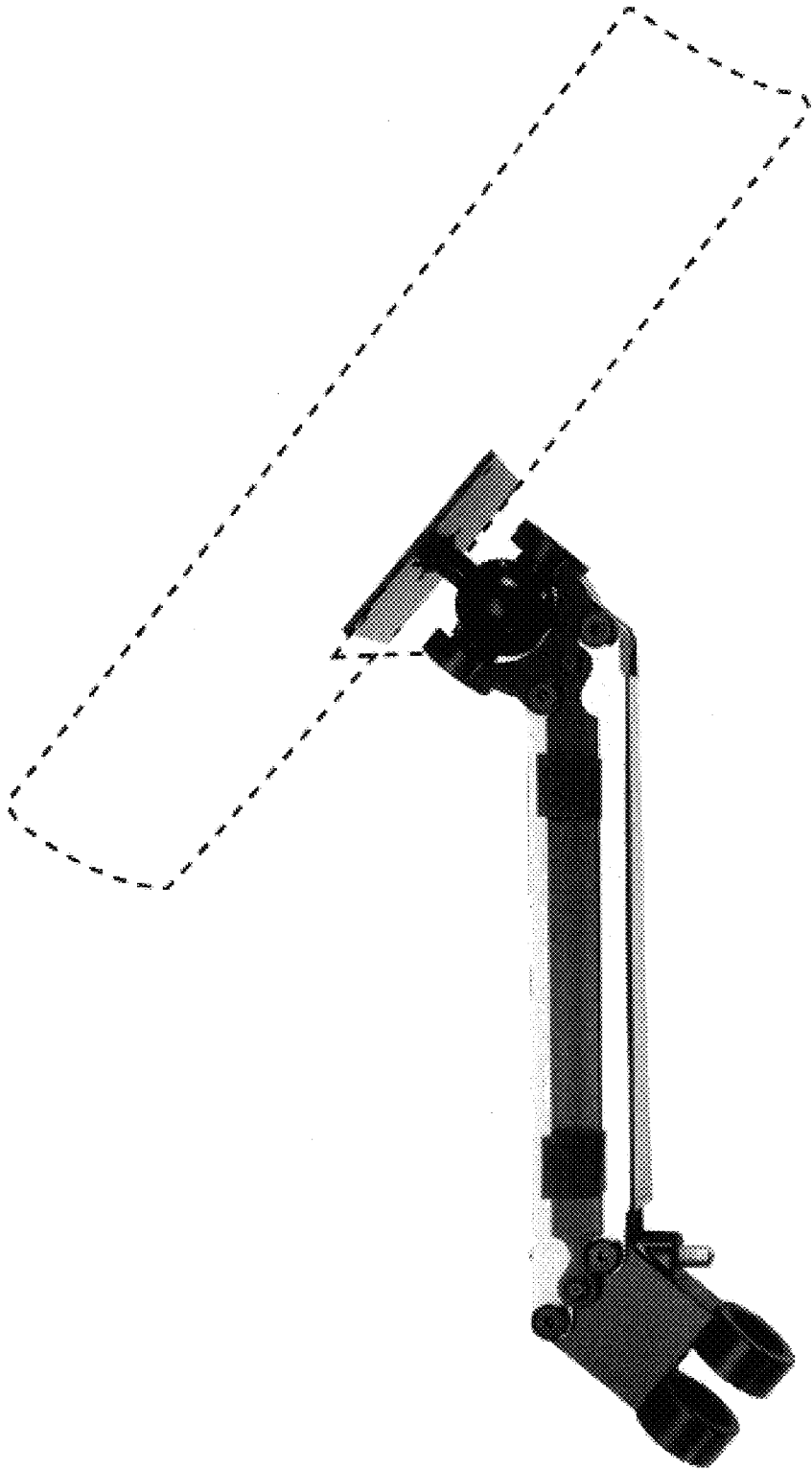


**FIG. 7**





**FIG. 8**



**FIG. 9**