



US00D782892S

(12) **United States Design Patent**
Fischer

(10) **Patent No.:** **US D782,892 S**
(45) **Date of Patent:** **** Apr. 4, 2017**

(54) **UTILITY KNIFE INCORPORATING
MAGNET**

(71) Applicant: **Brett William Fischer**, Lee's Summit,
MO (US)

(72) Inventor: **Brett William Fischer**, Lee's Summit,
MO (US)

(**) Term: **15 Years**

(21) Appl. No.: **29/551,349**

(22) Filed: **Jan. 13, 2016**

(51) **LOC (10) Cl.** **08-03**

(52) **U.S. Cl.**
USPC **D8/99**

(58) **Field of Classification Search**
USPC D8/14, 17, 18, 21, 98, 99, 105; D22/118;
30/162
CPC B26B 3/06; B26B 1/08; B26B 5/00; B26B
5/001; B26B 5/003; B26B 5/005; B26B
5/006

See application file for complete search history.

(56) **References Cited**

U.S. PATENT DOCUMENTS

- 1,496,927 A * 6/1924 Evers B26B 5/006
30/162
- 2,984,403 A * 5/1961 David B42D 15/08
229/303
- 3,406,447 A * 10/1968 Travlos B26B 27/005
30/162
- 3,621,570 A * 11/1971 Kolde et al. B26B 5/006
30/162

- 4,570,342 A * 2/1986 Baum B26B 5/006
30/136
- 5,054,198 A * 10/1991 Gmoch B67B 7/30
30/2
- D328,229 S * 7/1992 Gmoch D8/99
- 6,035,534 A * 3/2000 Abbott B26B 27/002
30/2
- D743,236 S * 11/2015 Fischer D8/99

* cited by examiner

Primary Examiner — Phillip S Hyder

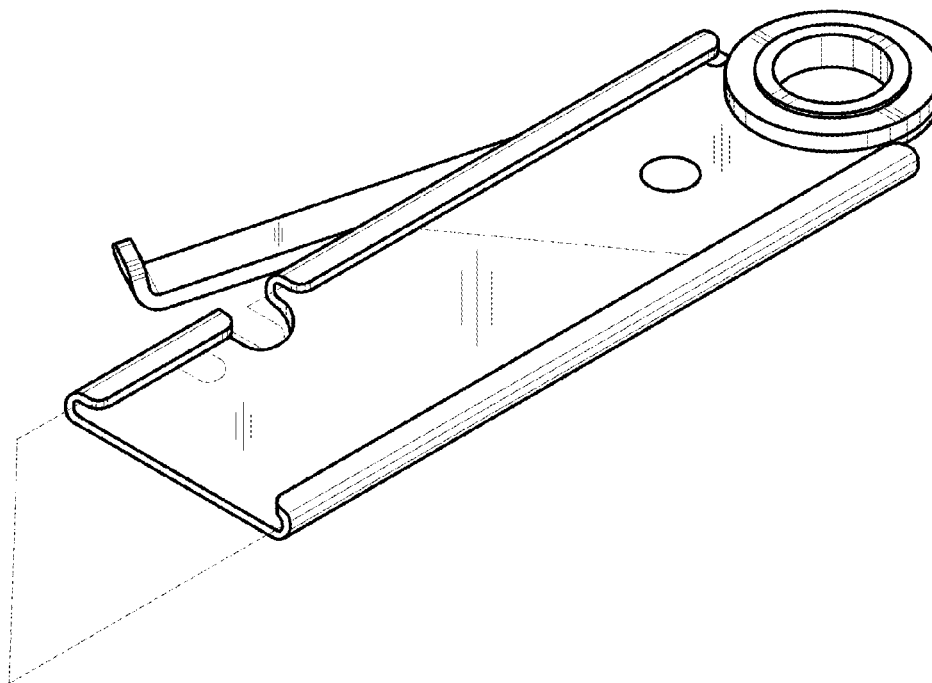
(57) **CLAIM**

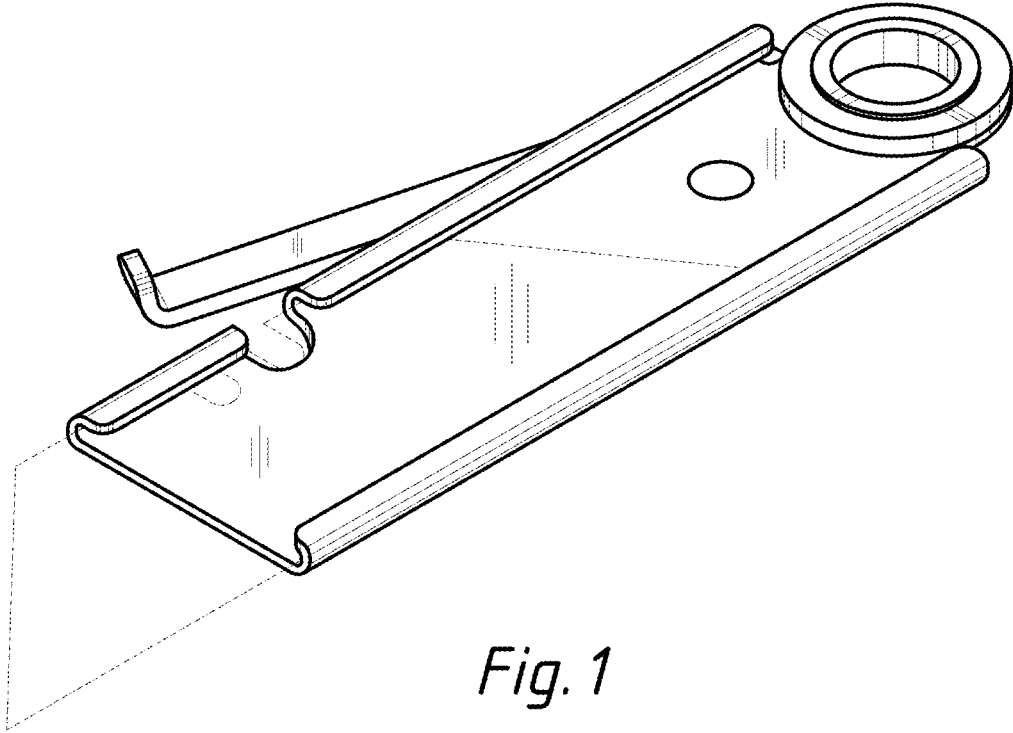
The ornamental design for a utility knife incorporating magnet, as shown and described.

DESCRIPTION

FIG. 1 is a top perspective view of a utility knife incorporating magnet, wherein the blade lock is in the open position; FIG. 2 is a front elevation view of FIG. 1, FIG. 3 is a front elevation view thereof, where the lock is in the closed position; FIG. 4 is another front elevation view like FIG. 3 but with the broken line showing the blade omitted; FIG. 5 is a rear elevation view thereof, wherein the lock is in the closed position; FIG. 6 is a top plan view thereof; FIG. 7 is a bottom plan view thereof; FIG. 8 is a left elevation view thereof; and, FIG. 9 is a right elevation view thereof. The broken lines showing blade depict environmental subject matter only and form no part of the claimed design.

1 Claim, 3 Drawing Sheets





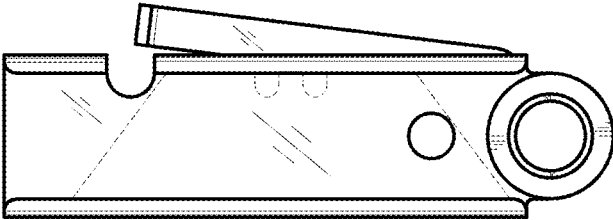


Fig. 2

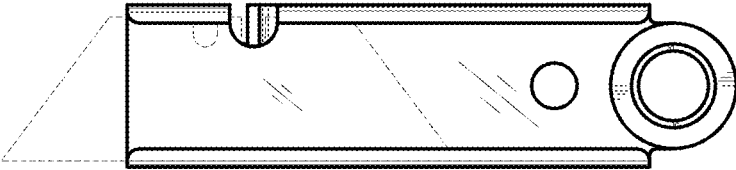


Fig. 3

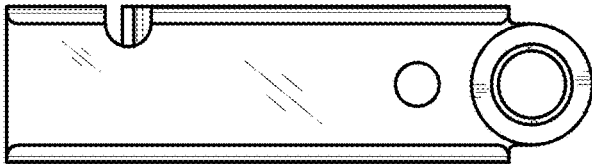


Fig. 4

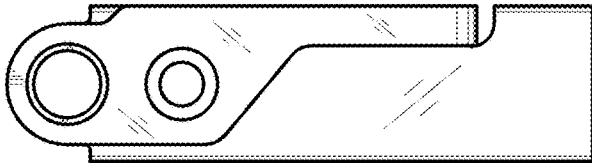


Fig. 5



Fig. 6

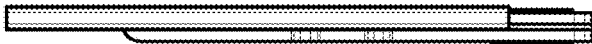


Fig. 7



Fig. 8



Fig. 9