

(19) World Intellectual Property Organization
International Bureau



(43) International Publication Date
7 November 2002 (07.11.2002)

PCT

(10) International Publication Number
WO 02/089318 A3

- (51) International Patent Classification⁷: **H03F 1/32**
- (21) International Application Number: PCT/GB02/01969
- (22) International Filing Date: 30 April 2002 (30.04.2002)
- (25) Filing Language: English
- (26) Publication Language: English
- (30) Priority Data:
0110559.2 30 April 2001 (30.04.2001) GB
- (71) Applicant (for all designated States except US): **AN-DREW CORPORATION** [US/US]; 10500 West 153rd Street, Orland Park, IL 60462 (US).

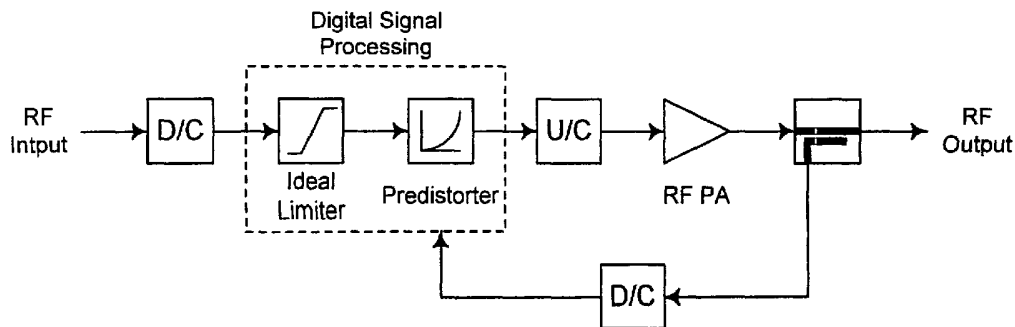
- (81) Designated States (national): AE, AG, AL, AM, AT, AU, AZ, BA, BB, BG, BR, BY, BZ, CA, CH, CN, CO, CR, CU, CZ, DE, DK, DM, DZ, EC, EE, ES, FI, GB, GD, GE, GH, GM, HR, HU, ID, IL, IN, IS, JP, KE, KG, KP, KR, KZ, LC, LK, LR, LS, LT, LU, LV, MA, MD, MG, MK, MN, MW, MX, MZ, NO, NZ, OM, PH, PL, PT, RO, RU, SD, SE, SG, SI, SK, SL, TJ, TM, TN, TR, TT, TZ, UA, UG, US, UZ, VN, YU, ZA, ZM, ZW.
- (84) Designated States (regional): ARIPO patent (GH, GM, KE, LS, MW, MZ, SD, SL, SZ, TZ, UG, ZM, ZW), Eurasian patent (AM, AZ, BY, KG, KZ, MD, RU, TJ, TM), European patent (AT, BE, CH, CY, DE, DK, ES, FI, FR, GB, GR, IE, IT, LU, MC, NL, PT, SE, TR), OAPI patent (BF, BJ, CF, CG, CI, CM, GA, GN, GQ, GW, ML, MR, NE, SN, TD, TG).

- (72) Inventors; and
- (75) Inventors/Applicants (for US only): **KENINGTON, Peter** [GB/GB]; Trap Farm, Devauden, Chepstow NP16 6PE (GB). **MEADE, Steven** [GB/GB]; 2 Halsbury Road, Westbury Park, Bristol BS6 7SR (GB). **BISHOP, John** [GB/GB]; The Thatched Cottage, Church Road, Liddington, Swindon SN4 0HB (GB).
- (74) Agents: **HOGG, Jeffery, Keith** et al.; Withers & Rogers, Goldings House, 2 Hays Lane, London SE1 2HW (GB).

- Published:
— with international search report
- (88) Date of publication of the international search report:
18 December 2003

For two-letter codes and other abbreviations, refer to the "Guidance Notes on Codes and Abbreviations" appearing at the beginning of each regular issue of the PCT Gazette.

(54) Title: SIGNAL PROCESSING APPARATUS



(57) Abstract: Where a DSP is used to predistort the input to a radio frequency power amplifier (RF PA) in the digital domain, then the DSP can also be used to perform a mathematical clipping operation on the input signal. This means that unwanted distortion is not introduced via the clipping process.



WO 02/089318 A3

INTERNATIONAL SEARCH REPORT

PCT/GB 02/01969

A. CLASSIFICATION OF SUBJECT MATTER IPC 7 H03F1/32		
According to International Patent Classification (IPC) or to both national classification and IPC		
B. FIELDS SEARCHED		
Minimum documentation searched (classification system followed by classification symbols) IPC 7 H03F		
Documentation searched other than minimum documentation to the extent that such documents are included in the fields searched		
Electronic data base consulted during the international search (name of data base and, where practical, search terms used) EPO-Internal		
C. DOCUMENTS CONSIDERED TO BE RELEVANT		
Category °	Citation of document, with indication, where appropriate, of the relevant passages	Relevant to claim No.
X	WO 99 66637 A (DATUM TELEGRAPHIC INC) 23 December 1999 (1999-12-23) page 3, line 34 - page 4, line 28	1,4-11
X	EP 0 940 911 A (LUCENT TECHNOLOGIES INC) 8 September 1999 (1999-09-08)	1,5,11
Y	column 2, line 48 - line 54 column 3, line 4 - line 8 column 13, line 38 - line 41; figures 5a,b	2,3
Y	US 6 112 062 A (HANS RAVINDER ET AL) 29 August 2000 (2000-08-29) column 5, line 60 - line 61; figure 3	2
Y	US 5 732 333 A (COSTESCU FLAVIU C ET AL) 24 March 1998 (1998-03-24) abstract	3
<input type="checkbox"/> Further documents are listed in the continuation of box C. <input checked="" type="checkbox"/> Patent family members are listed in annex.		
° Special categories of cited documents :		
A document defining the general state of the art which is not considered to be of particular relevance *E* earlier document but published on or after the international filing date *L* document which may throw doubts on priority claim(s) or which is cited to establish the publication date of another citation or other special reason (as specified) *O* document referring to an oral disclosure, use, exhibition or other means *P* document published prior to the international filing date but later than the priority date claimed		*T* later document published after the international filing date or priority date and not in conflict with the application but cited to understand the principle or theory underlying the invention *X* document of particular relevance; the claimed invention cannot be considered novel or cannot be considered to involve an inventive step when the document is taken alone *Y* document of particular relevance; the claimed invention cannot be considered to involve an inventive step when the document is combined with one or more other such documents, such combination being obvious to a person skilled in the art. *&* document member of the same patent family
Date of the actual completion of the international search 24 September 2003		Date of mailing of the international search report 02/10/2003
Name and mailing address of the ISA European Patent Office, P.B. 5818 Patentlaan 2 NL - 2280 HV Rijswijk Tel. (+31-70) 340-2040, Tx. 31 651 epo nl, Fax: (+31-70) 340-3016		Authorized officer Van Den Doel, J.

INTERNATIONAL SEARCH REPORT

Information on patent family members

PCT/GB 02/01969

Patent document cited in search report		Publication date	Patent family member(s)	Publication date
WO 9966637	A	23-12-1999	US 6054894 A	25-04-2000
			US 5990734 A	23-11-1999
			US 6054896 A	25-04-2000
			US 5990738 A	23-11-1999
			AU 4924399 A	05-01-2000
			DE 69901253 D1	16-05-2002
			DE 69901253 T2	21-11-2002
			EP 1088390 A1	04-04-2001
			WO 9966637 A1	23-12-1999
			US 6313703 B1	06-11-2001
EP 0940911	A	08-09-1999	US 6175270 B1	16-01-2001
			CA 2262361 C	28-05-2002
			EP 0940911 A1	08-09-1999
			JP 3426996 B2	14-07-2003
			JP 11312928 A	09-11-1999
US 6112062	A	29-08-2000	AU 9502198 A	23-04-1999
			WO 9917440 A1	08-04-1999
US 5732333	A	24-03-1998	AU 1832097 A	02-09-1997
			CA 2245707 A1	21-08-1997
			CN 1211355 A , B	17-03-1999
			EP 0878056 A1	18-11-1998
			WO 9730521 A1	21-08-1997