



US00D322993S

# United States Patent [19]

Hobson

[11] Patent Number: Des. 322,993

[45] Date of Patent: \*\* Jan. 7, 1992

## [54] VERTICAL HANGING FILE

[75] Inventor: Jody A. Hobson, Rocky River, Ohio

[73] Assignee: Rubbermaid Incorporated, Wooster, Ohio

[\*\*] Term: 14 Years

[21] Appl. No.: 392,380

[22] Filed: Aug. 11, 1989

[52] U.S. Cl. .... D19/90; D6/510; D6/475; D19/75; D19/86; D34/40

[58] Field of Search ..... D6/510, 475, 476; D19/65, 75, 86, 90, 91, 99, 100; D34/40; 211/10, 11, 50, 88, 126; 206/505, 503, 507, 509, 513, 518

## [56] References Cited

### U.S. PATENT DOCUMENTS

D. 110,953	8/1938	Bargen	.....	D6/510 X
D. 197,311	1/1964	Spaak	.....	D34/40
D. 205,866	9/1966	Asenbauer	.....	D34/40
D. 237,672	11/1975	Taub	.....	D6/510
D. 242,659	12/1976	Clipson et al.	.....	D34/40
D. 261,011	9/1981	Brown	.....	D19/90
D. 274,012	5/1984	Williams	.....	D34/40
D. 275,918	10/1984	Taylor	.....	D6/475
D. 281,614	12/1985	Carpenter et al.	.....	D19/90
D. 301,927	6/1989	Williams	.....	D34/40
D. 304,638	11/1989	Ireland	.....	D34/40
D. 310,107	8/1990	Murphy et al.	.....	D19/90
D. 311,028	10/1990	Evenson	.....	D19/90
2,916,161	12/1959	Schaefer	.....	211/126
3,379,339	4/1968	Asenbauer	.....	206/507 X
3,404,804	10/1968	Frater et al.	.....	206/505
3,874,501	4/1975	Cronheim	.....	211/11 X
4,828,120	5/1989	Beil et al.	.....	211/88

## OTHER PUBLICATIONS

Price List, Deflect-O Corporation, Housewares Division, P.O. Box 50057, Indianapolis, Ind. 46250, Publication Date Mar. 1, 1985.

Sell Sheet, Rubbermaid Incorporated, 1147 Akron Rd., Wooster, Ohio 44691, Publication Date 1988.

Sell Sheet, Frig-O-Seal, 6525 Picard Street, Quebec, Canada, Publication Date Apr., 1988.

Sell Sheet, Licken Trading's Production, Room 1201, Cambridge House, 26-28 Cameron Road, Tsimshatsi, Kowloon, Hong Kong, Publication Date Unknown.

Pages 15 and 22, Eldon Office Products, 1130 East 230th Street, Carson, Calif. 90745, Publication Date Unknown.

Page 10, Rubbermaid Commercial Products Inc., 3124 Valley Avenue, Winchester, Va. 22601, Publication Date 1986.

Primary Examiner—Bruce W. Dunkins

Assistant Examiner—Martha Thompson

Attorney, Agent, or Firm—Richard B. O'Planick

## [57] CLAIM

The ornamental design for a vertical hanging file, as shown and described.

## DESCRIPTION

FIG. 1 is a left front perspective view of a vertical hanging file showing my new design.

FIG. 2 is a front elevational view thereof.

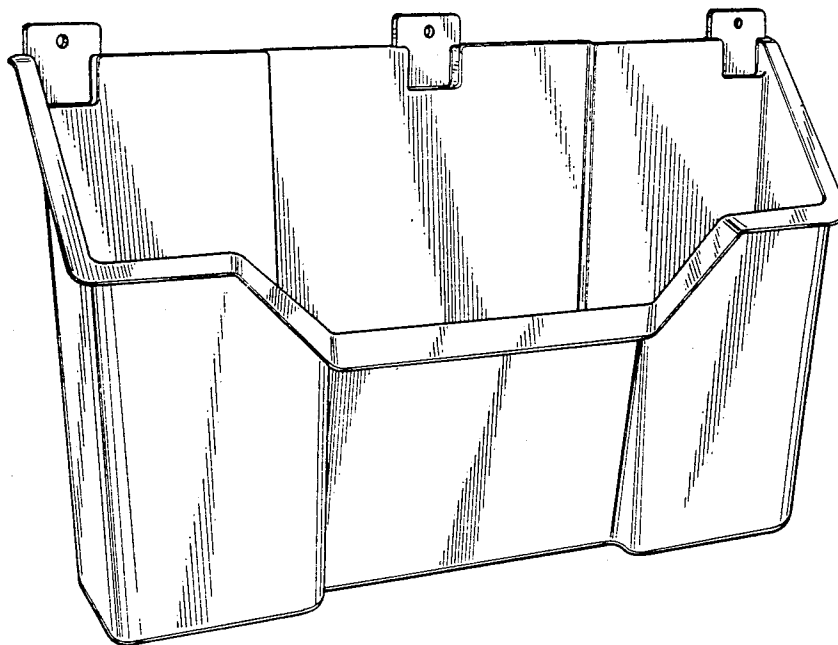
FIG. 3 is a rear elevational view thereof.

FIG. 4 is a top plan view thereof.

FIG. 5 is a bottom plan view thereof.

FIG. 6 is a right side elevational view, the left side being a mirror image thereof; and

FIG. 7 is a cross-sectional view thereof taken in the direction of arrows 7-7 in FIG. 4.



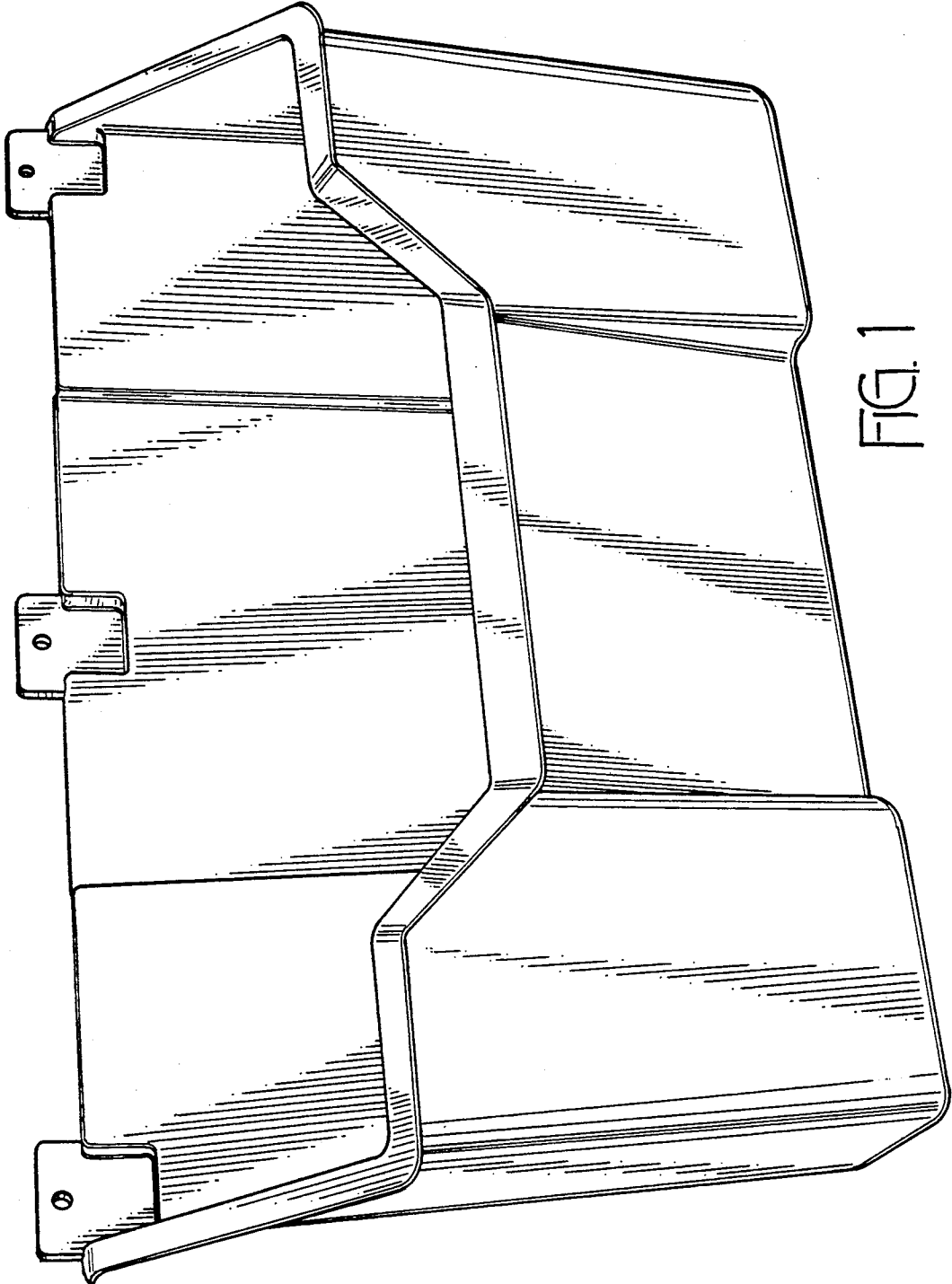


FIG. 1

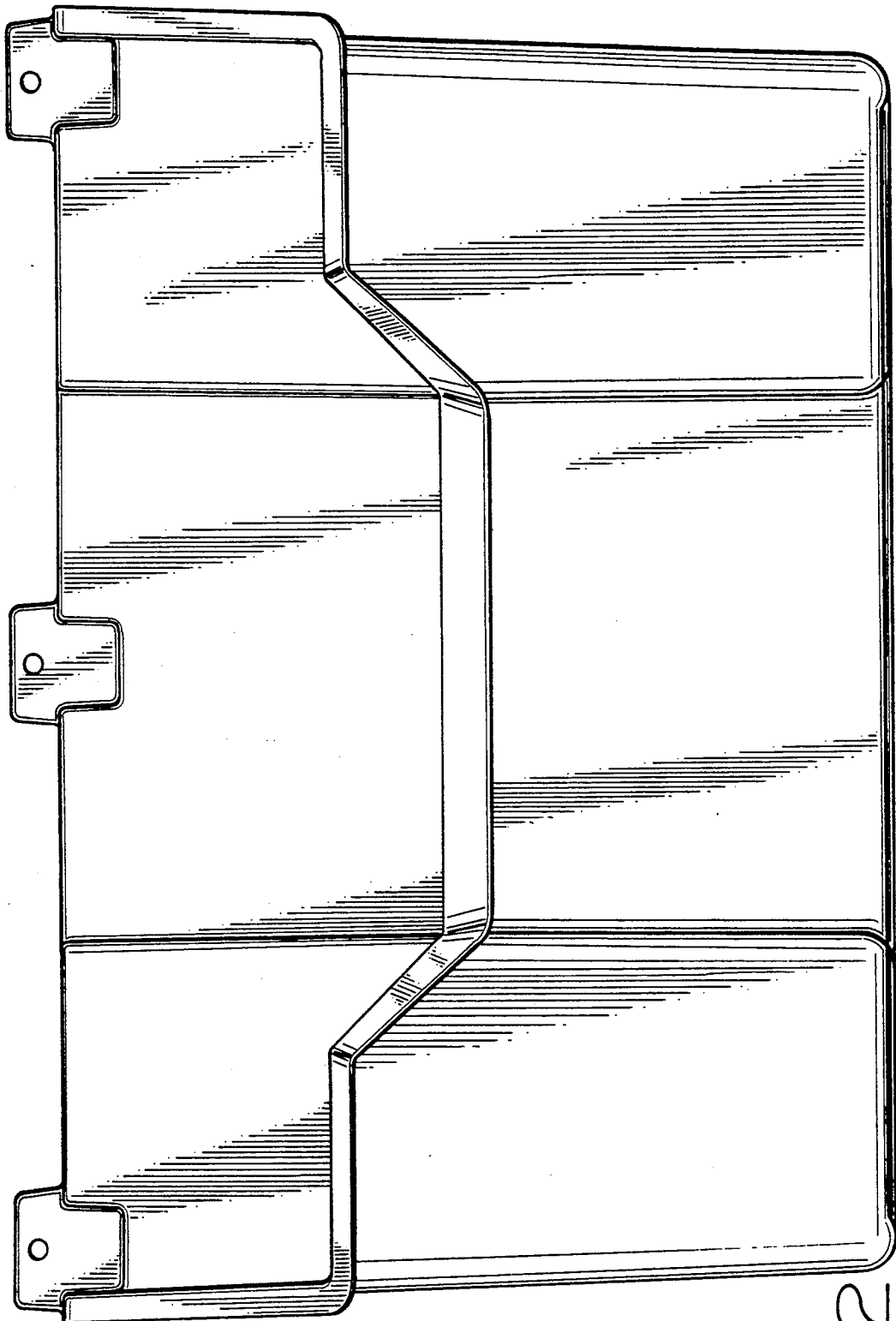


FIG. 2

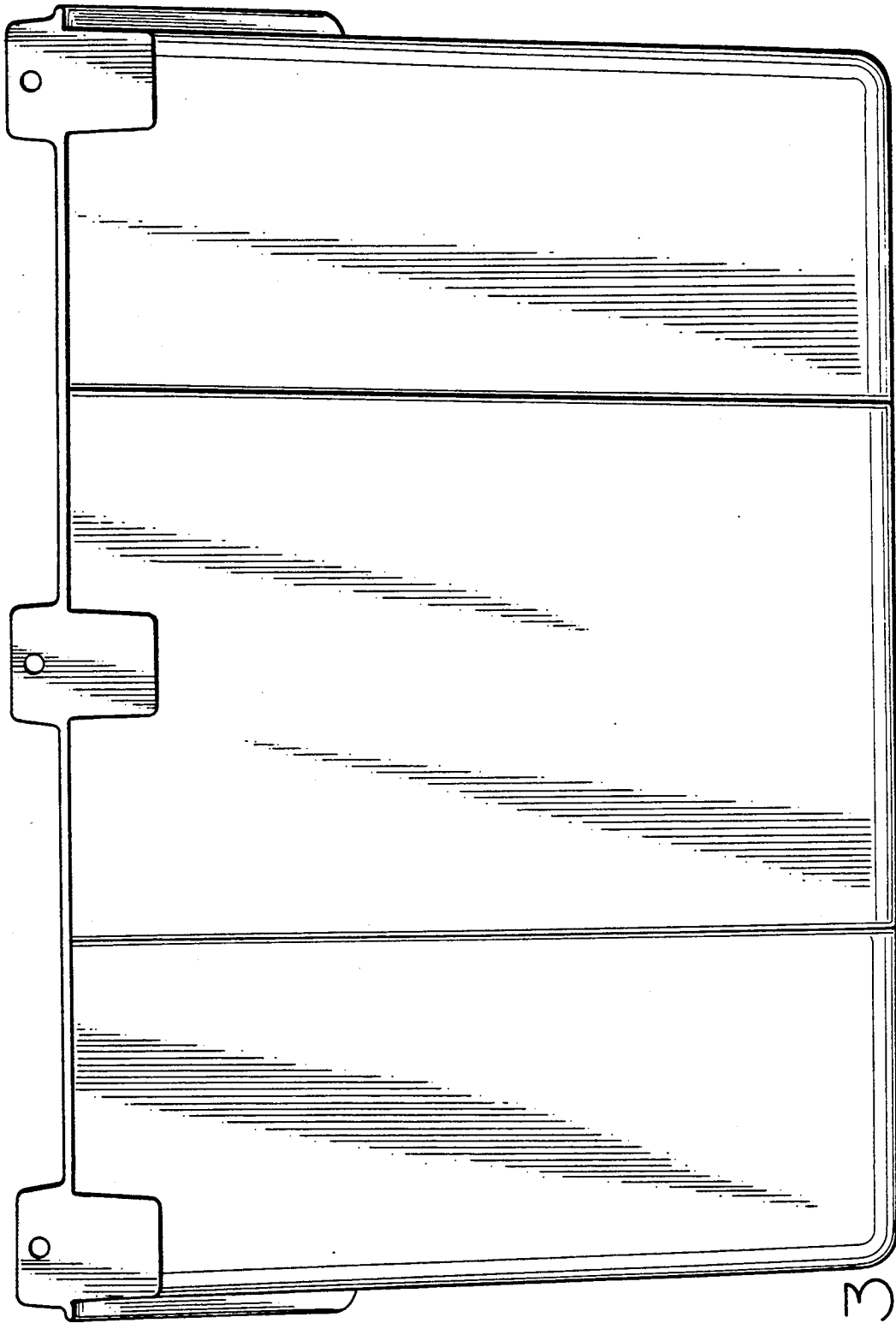


FIG. 3

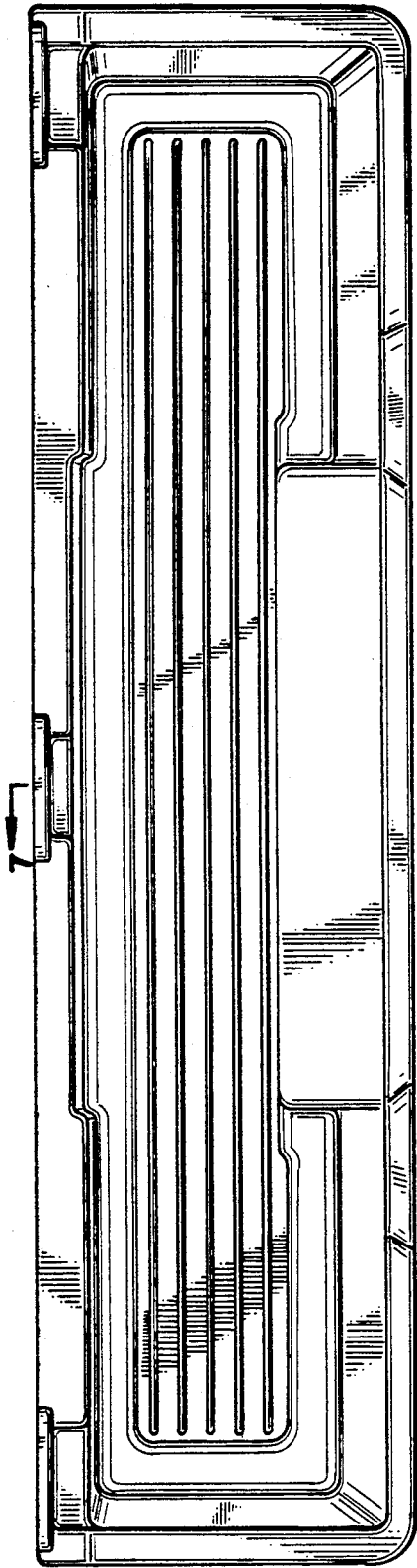


FIG. 4

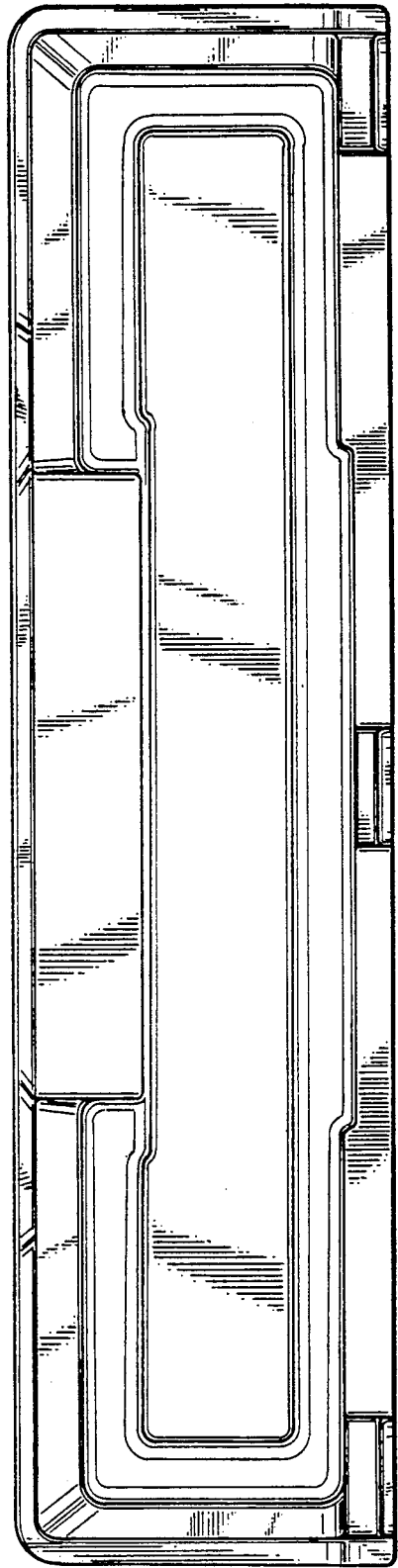


FIG. 5

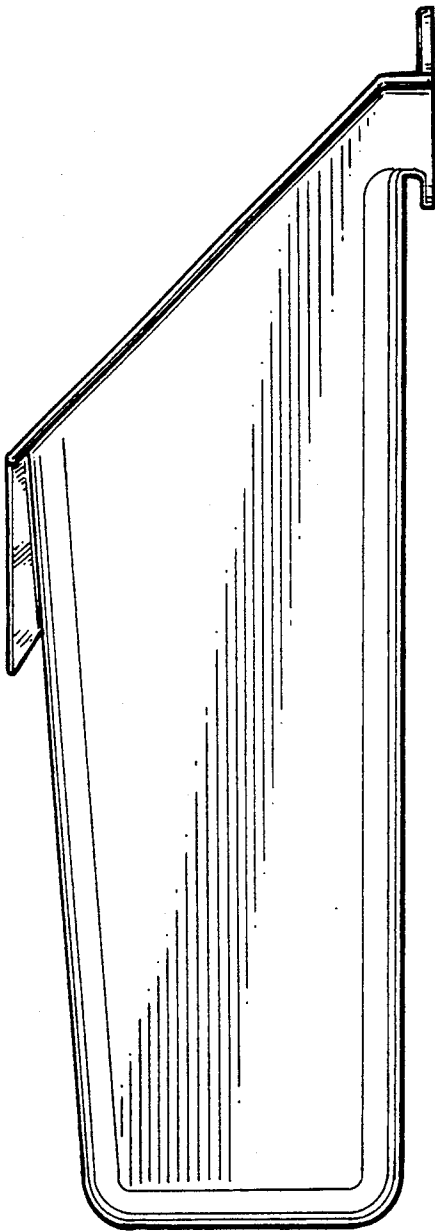


FIG. 6

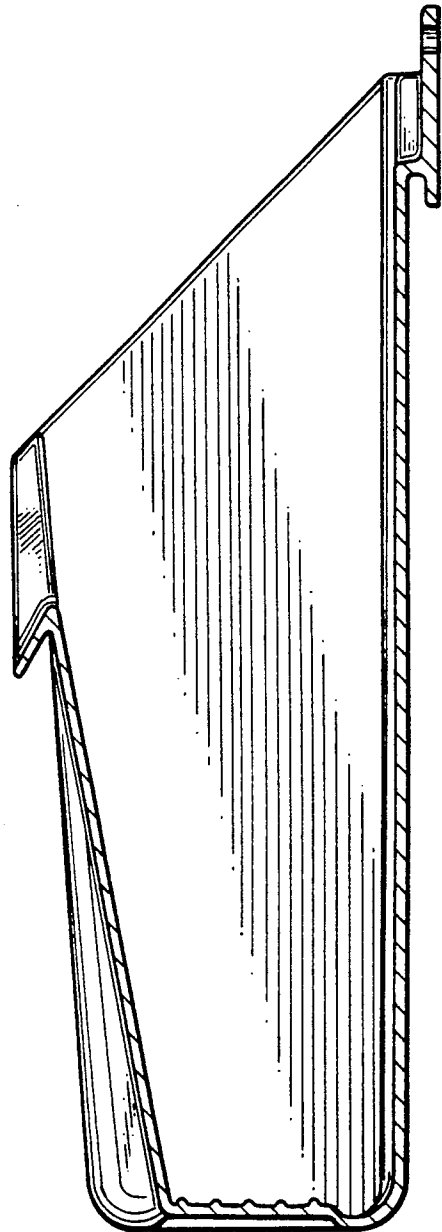


FIG. 7