

(19) World Intellectual Property Organization  
International Bureau



(43) International Publication Date  
8 May 2003 (08.05.2003)

PCT

(10) International Publication Number  
WO 03/037475 A3

(51) International Patent Classification<sup>7</sup>: B01D 46/26,  
45/12

(21) International Application Number: PCT/US02/34022

(22) International Filing Date: 24 October 2002 (24.10.2002)

(25) Filing Language: English

(26) Publication Language: English

(30) Priority Data:  
10/004,526 29 October 2001 (29.10.2001) US

(71) Applicant: GORE ENTERPRISE HOLDINGS, INC.  
[US/US]; 551 Paper Mill Road, P.O. Box 9206, Newark,  
DE 19714-9206 (US).

(72) Inventors: CROUCH, Steven; 104 Callard Run, Chapel  
Hill, NC 27514 (US). WRIGHT, Steve; 2229 Old NC  
10 Highway, Hillsborough, NC 27278 (US). STORM,  
Jeffrey; 5212 Pelham Road, Durham, NC 27713 (US).  
POON, Wai, S.; 456 Stella Drive, Hockessin, DE 19707

(US). STARK, Stephen, K.; 2119 Duncan Road, Wilm-  
ington, DE 19808 (US). THORPE, Daniel, W.; 735  
Letitia Drive, Hockessin, DE 19707 (US). VOSHELL,  
Glenn, R.; 525 Union Church Road, Elkton, MD 21921  
(US).

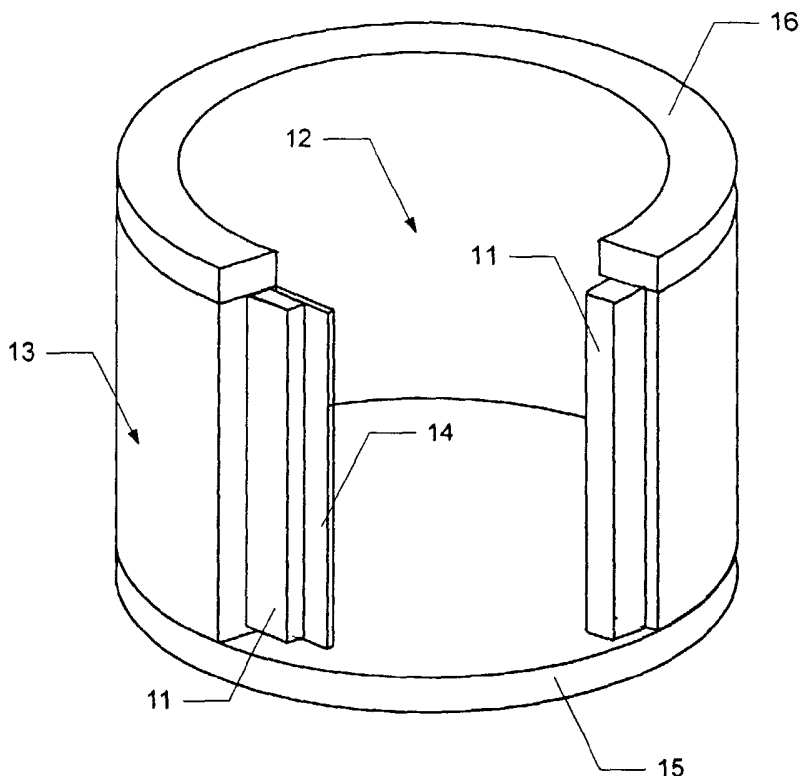
(74) Agents: CAMPBELL, John, S. et al.; W.L. Gore & Asso-  
ciates, Inc., 551 Paper Mill Road, P.O. Box 9206, Newark,  
DE 19714-9206 (US).

(81) Designated States (national): AE, AG, AL, AM, AT, AU,  
AZ, BA, BB, BG, BR, BY, BZ, CA, CH, CN, CO, CR, CU,  
CZ, DE, DK, DM, DZ, EC, EE, ES, FI, GB, GD, GE, GH,  
GM, HR, HU, ID, IL, IN, IS, JP, KE, KG, KP, KR, KZ, LC,  
LK, LR, LS, LT, LU, LV, MA, MD, MG, MK, MN, MW,  
MX, MZ, NO, NZ, OM, PH, PL, PT, RO, RU, SD, SE, SG,  
SI, SK, SL, TJ, TM, TN, TR, TT, TZ, UA, UG, UZ, VN,  
YU, ZA, ZM, ZW.

(84) Designated States (regional): ARIPO patent (GH, GM,  
KE, LS, MW, MZ, SD, SL, SZ, TZ, UG, ZM, ZW),  
Eurasian patent (AM, AZ, BY, KG, KZ, MD, RU, TJ, TM),  
European patent (AT, BE, BG, CH, CY, CZ, DE, DK, EE,  
ES, FI, FR, GB, GR, IE, IT, LU, MC, NL, PT, SE, SK,

[Continued on next page]

(54) Title: CENTRIFUGAL FILTRATION DEVICE



(57) Abstract: This invention is directed to a continuously cleanable, high performance filtration apparatus and a method for using the apparatus. The apparatus is a radial inflow centrifugal filtration device, which includes a filter element located within a chamber and rotatably coupled to a filtered fluid outlet in a bulkhead that abuts the chamber. The filter element is generally tubular, its side-walls encircling and, thus, defining an interior plenum. The filter element side-walls incorporate a filter media, preferably a laminated microporous membrane filter media. The filter element is rotatably coupled at the filtered fluid outlet by a seal which can maintain a seal as filter element rotates. Additionally, the device can include a boundary layer momentum transfer device made up of a plurality of stacked annular disks having central openings, each disk separated from adjacent disks by a desired gap. The central openings define a cavity in which the filter element is mounted.



WO 03/037475 A3



TR), OAPI patent (BF, BJ, CF, CG, CI, CM, GA, GN, GQ, GW, ML, MR, NE, SN, TD, TG).

*For two-letter codes and other abbreviations, refer to the "Guidance Notes on Codes and Abbreviations" appearing at the beginning of each regular issue of the PCT Gazette.*

**Published:**

- *with international search report*
- *before the expiration of the time limit for amending the claims and to be republished in the event of receipt of amendments*

**(88) Date of publication of the international search report:**

27 November 2003

## INTERNATIONAL SEARCH REPORT

International Application No

PCT/US 02/34022

A. CLASSIFICATION OF SUBJECT MATTER  
 IPC 7 B01D46/26 B01D45/12

According to International Patent Classification (IPC) or to both national classification and IPC

## B. FIELDS SEARCHED

Minimum documentation searched (classification system followed by classification symbols)

IPC 7 B01D

Documentation searched other than minimum documentation to the extent that such documents are included in the fields searched

Electronic data base consulted during the international search (name of data base and, where practical, search terms used)

EPO-Internal, WPI Data, PAJ

## C. DOCUMENTS CONSIDERED TO BE RELEVANT

Category °	Citation of document, with indication, where appropriate, of the relevant passages	Relevant to claim No.
A	US 2 994 407 A (A.E.W. VAN DIEPENBROEK) 1 August 1961 (1961-08-01) claim 1; figures 1-3 -----	1
A	US 4 285 704 A (G.I.ZUZANOV ET AL.) 25 August 1981 (1981-08-25) the whole document -----	1,13,28, 43
A	US 4 948 397 A (P.KUMAR) 14 August 1990 (1990-08-14) claim 1; figure 1 -----	1,8
A	US 4 096 227 A (R.W.GORE) 20 June 1978 (1978-06-20) cited in the application column 5, line 13 - line 58; claim 1 ----- -/--	1,2

Further documents are listed in the continuation of box C.

Patent family members are listed in annex.

° Special categories of cited documents :

\*A\* document defining the general state of the art which is not considered to be of particular relevance

\*E\* earlier document but published on or after the international filing date

\*L\* document which may throw doubts on priority claim(s) or which is cited to establish the publication date of another citation or other special reason (as specified)

\*O\* document referring to an oral disclosure, use, exhibition or other means

\*P\* document published prior to the international filing date but later than the priority date claimed

\*T\* later document published after the international filing date or priority date and not in conflict with the application but cited to understand the principle or theory underlying the invention

\*X\* document of particular relevance; the claimed invention cannot be considered novel or cannot be considered to involve an inventive step when the document is taken alone

\*Y\* document of particular relevance; the claimed invention cannot be considered to involve an inventive step when the document is combined with one or more other such documents, such combination being obvious to a person skilled in the art.

\*&\* document member of the same patent family

Date of the actual completion of the international search

17 September 2003

Date of mailing of the international search report

25/09/2003

Name and mailing address of the ISA

European Patent Office, P.B. 5818 Patentlaan 2  
 NL - 2280 HV Rijswijk  
 Tel. (+31-70) 340-2040, Tx. 31 651 epo nl,  
 Fax: (+31-70) 340-3016

Authorized officer

Bertram, H.

## INTERNATIONAL SEARCH REPORT

International Application No

PCT/US 02/34022

C.(Continuation) DOCUMENTS CONSIDERED TO BE RELEVANT		
Category °	Citation of document, with indication, where appropriate, of the relevant passages	Relevant to claim No.
A	US 4 878 930 A (J.L.MANNISO ET AL.) 7 November 1989 (1989-11-07) cited in the application column 3, line 16 - line 29; claim 1 -----	1,2
A	US 5 814 405 A (P.A.BRANCA ET AL.) 29 September 1998 (1998-09-29) cited in the application claims 1-15 -----	1
A	US 5 746 789 A (S.R.WRIGHT ET AL.) 5 May 1998 (1998-05-05) cited in the application claim 1; figure 1 -----	13

## INTERNATIONAL SEARCH REPORT

International Application No

PCT/US 02/34022

Patent document cited in search report		Publication date	Patent family member(s)	Publication date
US 2994407	A	01-08-1961	NL 103843 C	
US 4285704	A	25-08-1981	SU 874129 A1 DE 2933274 A1	23-10-1981 28-02-1980
US 4948397	A	14-08-1990	NONE	
US 4096227	A	20-06-1978	US 3953566 A	27-04-1976
US 4878930	A	07-11-1989	AT 43251 T AU 576336 B2 AU 3590884 A CA 1263089 A1 DE 3570368 D1 DK 117585 A EG 16783 A EP 0160168 A2 ES 8603278 A1 FI 850532 A GR 850613 A1 HK 103891 A IE 55937 B1 IN 163159 A1 JP 1718000 C JP 4000684 B JP 61008111 A NO 850667 A ,B, NZ 211144 A PT 80102 A ,B SG 83491 G ZA 8409436 A	15-06-1989 25-08-1988 19-09-1985 21-11-1989 29-06-1989 16-09-1985 30-06-1989 06-11-1985 16-04-1986 16-09-1985 11-07-1985 27-12-1991 27-02-1991 20-08-1988 14-12-1992 08-01-1992 14-01-1986 16-09-1985 11-04-1986 01-04-1985 22-11-1991 31-07-1985
US 5814405	A	29-09-1998	DE 19544912 A1 AT 236210 T AU 1032797 A AU 6687396 A BG 102398 A CA 2233695 A1 CN 1203610 A ,B DE 59610317 D1 DE 69617707 D1 DE 69617707 T2 WO 9720881 A1 EP 0850265 A1 EP 0951500 A1 ES 2164909 T3 JP 11515036 T JP 11501973 T PL 327032 A1 US 6218000 B1 WO 9706206 A1	05-06-1997 15-04-2003 27-06-1997 05-03-1997 30-12-1998 20-02-1997 30-12-1998 08-05-2003 17-01-2002 08-05-2002 12-06-1997 01-07-1998 27-10-1999 01-03-2002 21-12-1999 16-02-1999 09-11-1998 17-04-2001 20-02-1997
US 5746789	A	05-05-1998	AU 4611396 A WO 9719739 A1	19-06-1997 05-06-1997