

United States Patent [19]

Risi et al.

[11] Patent Number: Des. 299,069

[45] Date of Patent: ** Dec. 20, 1988

[54] REVERSIBLE MODULAR COPING BLOCK

[75] Inventors: Angelo Risi; Antonio Risi, both of Richmond Hill, Canada

[73] Assignee: Rothbury Investments Limited, Gormley, Canada

[**] Term: 14 Years

[21] Appl. No.: 818,286

[22] Filed: Jan. 13, 1986

[52] U.S. Cl. D25/157; D25/113

[58] Field of Search D25/113-118, D25/2, 138, 157; 405/29-35; 52/574, 575, 593, 536, 608, 102

[56] References Cited

U.S. PATENT DOCUMENTS

1,746,169 2/1930 Swanson D25/113 X

4,124,961 11/1978 Habegger D25/113 X
4,269,537 5/1981 O'Neill D25/113 X

Primary Examiner—A. Hugo Word
Attorney, Agent, or Firm—Weldon F. Green

[57] CLAIM

The ornamental design for a reversible modular coping block, as shown and described.

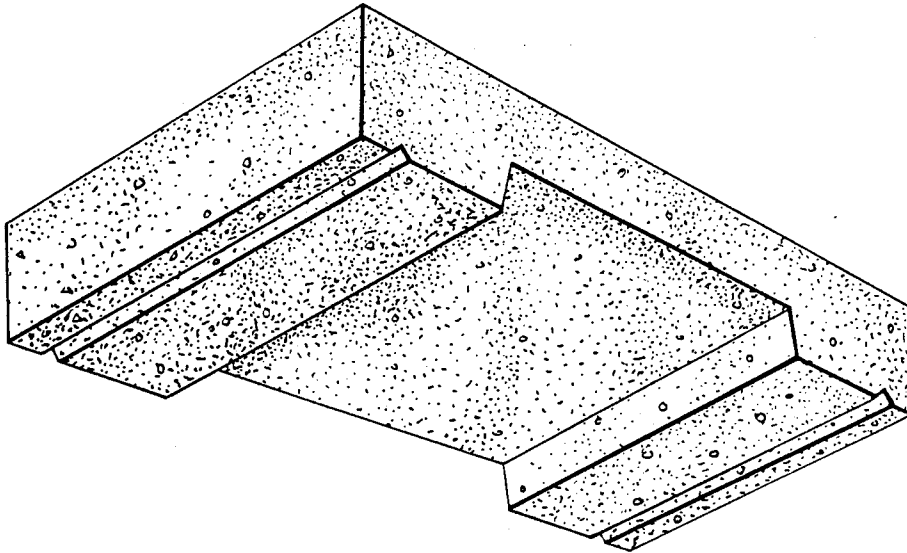
DESCRIPTION

FIG. 1 is a perspective view of a reversible modular coping block taken from a point upwardly of and to the right of one facing thereof showing our new design.

FIG. 2 is a perspective view of the block of FIG. 1 taken from a point downwardly below and to the right thereof.

FIG. 3 is a side elevational view of the block of FIG. 1 taken from the right thereof.

FIG. 4 is a top plan view of the block of FIG. 1.



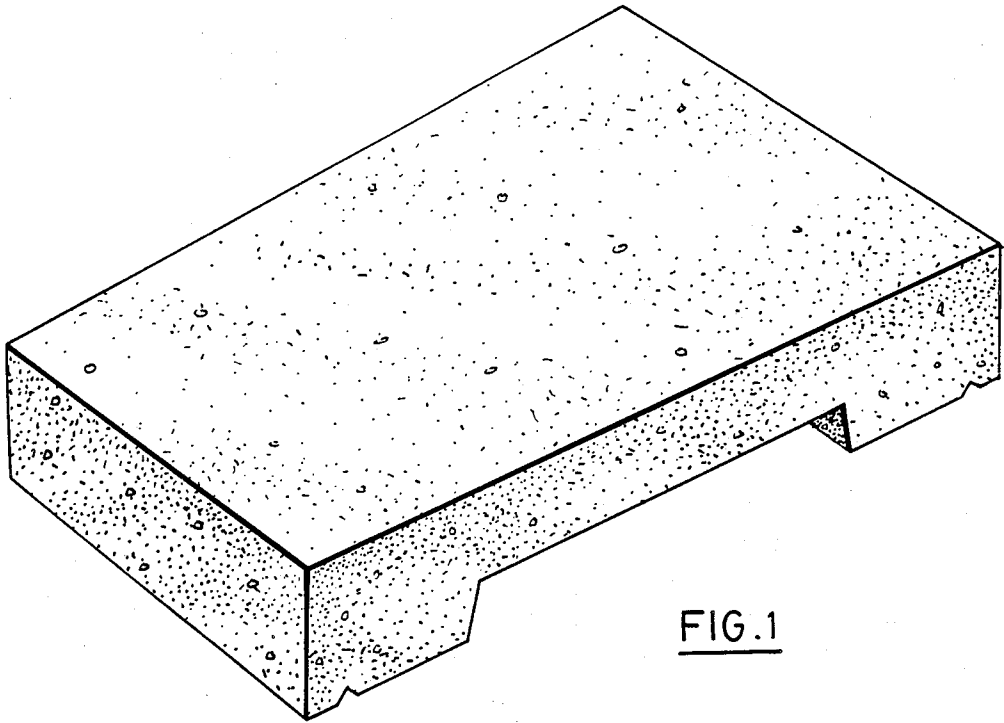


FIG. 1

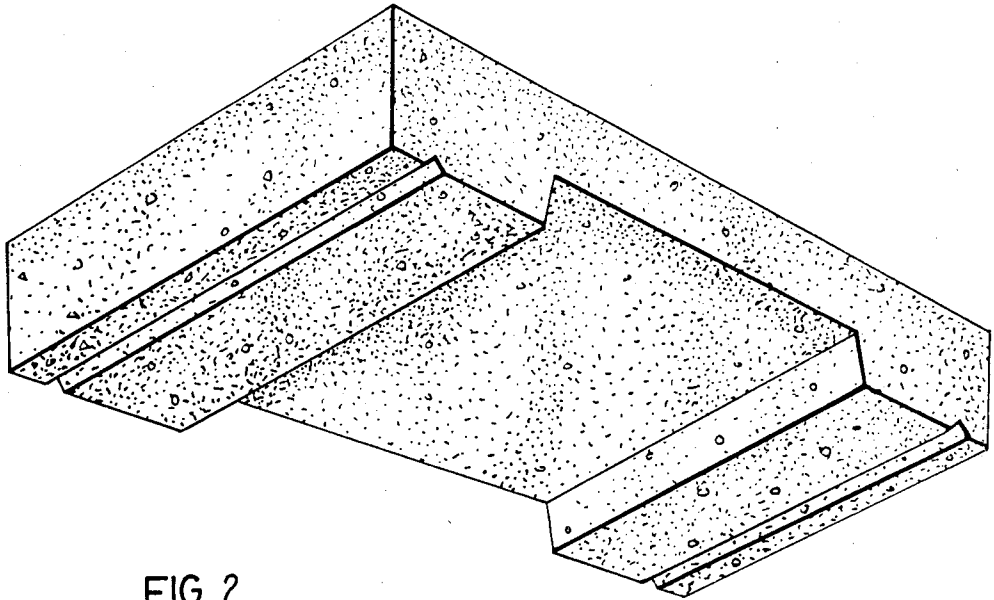


FIG. 2



FIG. 3

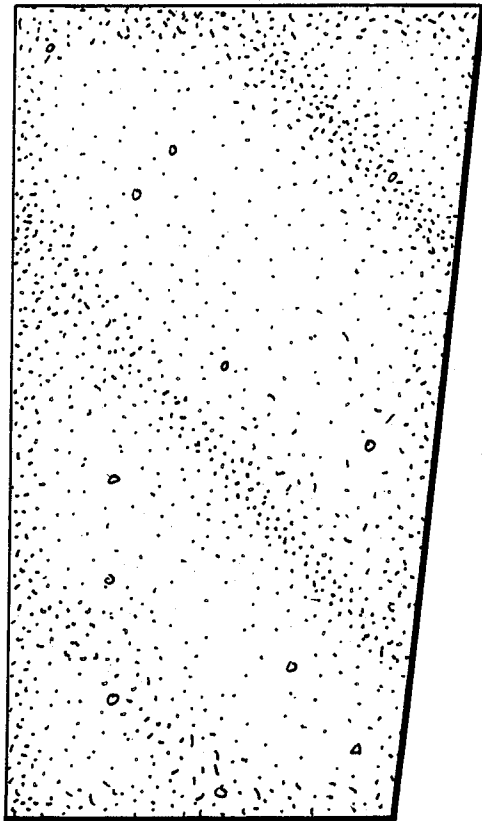


FIG. 4