



US0D1077987S

(12) **United States Design Patent**
Lai

(10) **Patent No.:** **US D1,077,987 S**

(45) **Date of Patent:** **** Jun. 3, 2025**

(54) **SWITCHING HANDLE**

FOREIGN PATENT DOCUMENTS

(71) Applicant: **WEN SHENG FU CO., LTD**, Chang
Hua Hsien (TW)

CN 302642057 * 11/2013
CN 303134664 * 3/2015

(Continued)

(72) Inventor: **Hung-Lin Lai**, Chang Hua Hsien (TW)

OTHER PUBLICATIONS

(73) Assignee: **WEN SHENG FU CO., LTD**, Chang
Hua Hsien (TW)

SharkBite 22222-0000LF Brass 1/2 Inch Ball Valve, first available
Nov. 9, 2009[online], [site visited Jan. 22, 2025]. Available from
internet, URL:<https://www.amazon.com/dp/B003128NXA> (Year:
2009).*

(**) Term: **15 Years**

(Continued)

(21) Appl. No.: **29/800,648**

(22) Filed: **Jul. 22, 2021**

Primary Examiner — David G Muller

Assistant Examiner — Jamaal Rasheed

(51) **LOC (15) Cl.** **23-01**

(52) **U.S. Cl.**

(57) **CLAIM**

The ornamental design for a switching handle, as shown and
described.

USPC **D23/252**

(58) **Field of Classification Search**

DESCRIPTION

USPC D23/238–242, 246–247, 249–257, 499
CPC F16K 31/602; F16K 31/605; F16K 31/607;
F16K 35/06; F16K 27/06; F16K 27/067;
E03C 1/02; E03C 1/04
See application file for complete search history.

FIG. 1 is a perspective view of a switching handle showing
my new design;

FIG. 2 is a front elevational view thereof;

FIG. 3 is a rear elevational view thereof;

FIG. 4 is a left side elevational view thereof;

FIG. 5 is a right side elevational view thereof;

FIG. 6 is a top plan view thereof;

FIG. 7 is a bottom plan view thereof; and,

FIG. 8 is a perspective view shown in a different environ-
ment; and,

FIG. 9 is another perspective view shown in a different
environment.

The broken lines shown in FIG. 1, FIG. 6, and FIG. 7
represent portions of a switching handle and form no part of
the claimed design.

The broken lines shown in FIG. 8 and FIG. 9 are for the
purpose of illustrating environment and form no part of the
claimed design.

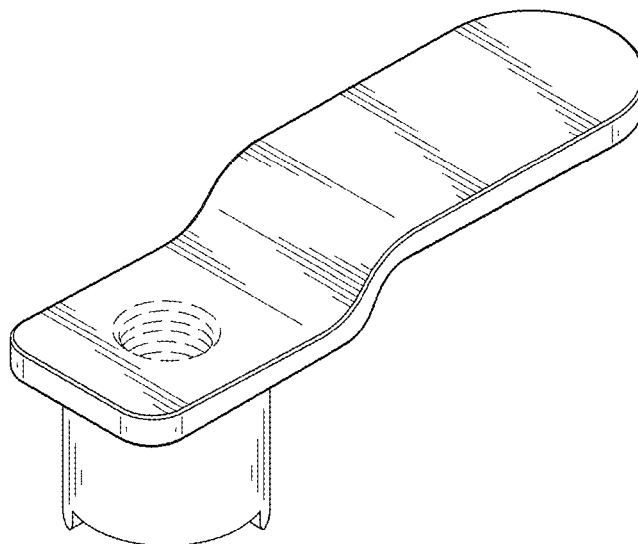
(56) **References Cited**

U.S. PATENT DOCUMENTS

9,353,872	B1 *	5/2016	Yeh	F16K 27/067
D834,149	S *	11/2018	Yung	D23/245
D863,023	S *	10/2019	Asakawa	D8/343
2007/0063165	A1 *	3/2007	Hampton	F16K 27/06 251/315.01
2012/0273709	A1 *	11/2012	Zhang	F16K 5/0657 251/315.05
2013/0014839	A1 *	1/2013	Calla	F16K 27/067 137/551
2016/0208934	A1 *	7/2016	Carter	F16K 5/0642
2017/0204979	A1 *	7/2017	Yoder	F16K 27/105
2017/0284560	A1 *	10/2017	Bertrem	F16K 31/602
2017/0298786	A1 *	10/2017	Pham	F01L 1/047

(Continued)

1 Claim, 6 Drawing Sheets



(56)

References Cited

U.S. PATENT DOCUMENTS

2022/0163125 A1* 5/2022 Mason F16K 27/067
2022/0381378 A1* 12/2022 Cimberio F16L 13/142
2024/0183451 A1* 6/2024 Strashny F16K 37/00
2024/0280188 A1* 8/2024 Stark F16K 31/602

FOREIGN PATENT DOCUMENTS

KR 300318256.0000 * 2/2003
KR 300777996.0000 * 12/2014

OTHER PUBLICATIONS

Nigo Industrial Co. 180SS Series 3-Way (L-PORT) Forged Brass Ball Valve, Lever Handle, first available Jul. 18, 2017[online], [site visited Jan. 23, 2025]. Available from internet, URL:<<https://www.amazon.com/L-Port-Forged-Valve-Handle-Female/dp/B0741417WN>> (Year: 2017).*

* cited by examiner

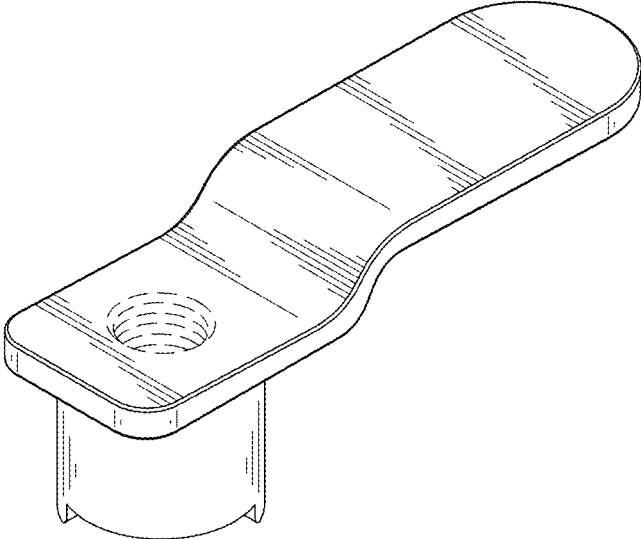


FIG.1

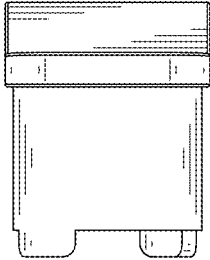


FIG. 2

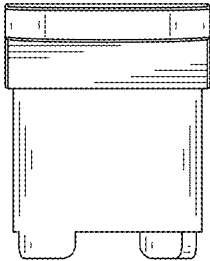


FIG. 3

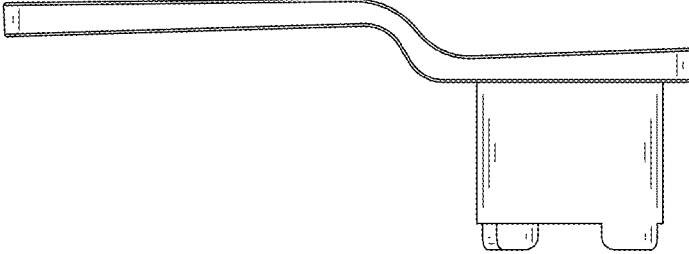


FIG.4

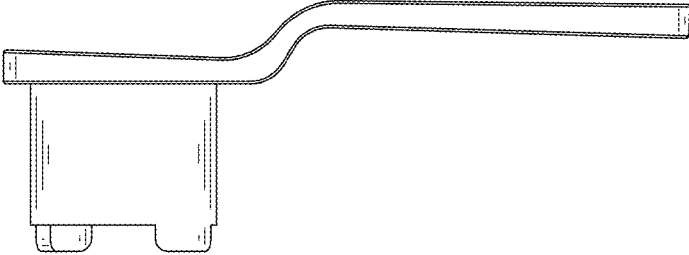


FIG.5

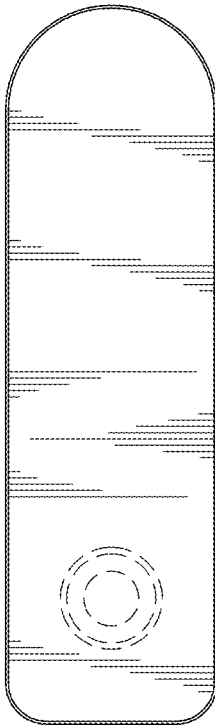


FIG. 6

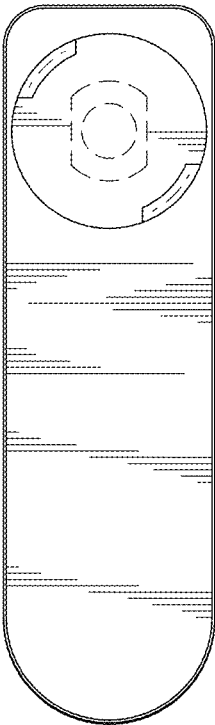


FIG. 7

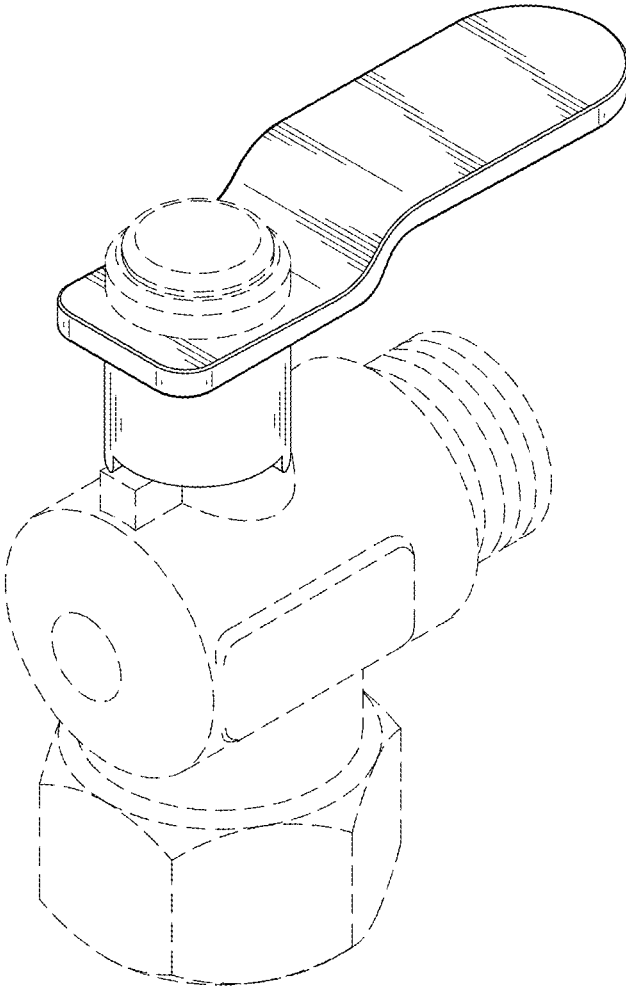


FIG.8

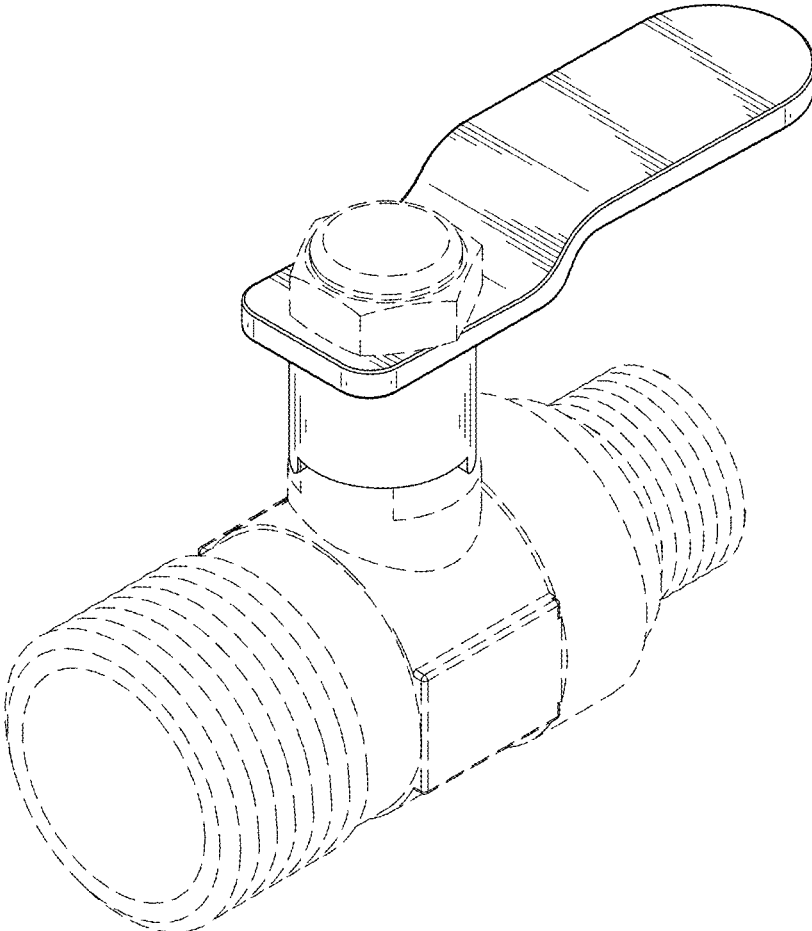


FIG.9