



(12) **United States Design Patent**
Pierce et al.

(10) **Patent No.:** **US D1,061,237 S**
(45) **Date of Patent:** **** Feb. 11, 2025**

(54) **PACKAGE OF TRANSACTION CARDS**

Primary Examiner — Lauren R Calve

(71) Applicant: **VALID SOLUÇÕES S.A.**, Rio de Janeiro (BR)

(74) *Attorney, Agent, or Firm* — MARSHALL, GERSTEIN & BORUN LLP

(72) Inventors: **Thomas Peter Pierce**, Wheaton, IL (US); **Christopher Bradley Mermigas**, Westmont, IL (US)

(57) **CLAIM**

The ornamental design for a package of transaction cards, as shown and described.

(73) Assignee: **GIESECKE+DEVRIENT EPAYMENTS AMERICA, INC.**, Dulles, VA (US)

DESCRIPTION

(**) Term: **15 Years**

(21) Appl. No.: **29/800,340**

(22) Filed: **Jul. 20, 2021**

Related U.S. Application Data

(62) Division of application No. 29/771,880, filed on Feb. 25, 2021, now Pat. No. Des. 928,628, which is a (Continued)

(51) **LOC (15) Cl.** **09-03**

(52) **U.S. Cl.**
USPC **D9/722; D9/415**

(58) **Field of Classification Search**
USPC D9/414, 415, 416, 432, 433, 658, 722; D3/201, 203.1, 273, 294, 298, 299, 300, D3/304, 314; D19/1, 10 (Continued)

FIG. 1 is a front perspective view of a package of transaction cards of a first embodiment of the present invention; FIG. 2 is a front plan view of the invention illustrated in FIG. 1; FIG. 3 is a rear plan view of the invention illustrated in FIG. 1; FIG. 4 is a right side view of the invention illustrated in FIG. 1; FIG. 5 is a left side view of the invention illustrated in FIG. 1; FIG. 6 is a top view of the invention illustrated in FIG. 1; FIG. 7 is a bottom view of the invention illustrated in FIG. 1; FIG. 8 is a rear perspective view of the invention illustrated in FIG. 1; FIG. 9 is a front perspective view of a package of transaction cards of a second embodiment of the present invention; FIG. 10 is a front plan view of the invention illustrated in FIG. 9; FIG. 11 is a rear plan view of the invention illustrated in FIG. 9; FIG. 12 is a right side view of the invention illustrated in FIG. 9; FIG. 13 is a left side view of the invention illustrated in FIG. 9; FIG. 14 is a top view of the invention illustrated in FIG. 9; FIG. 15 is a bottom view of the invention illustrated in FIG. 9; and, FIG. 16 is a rear perspective view of the invention illustrated in FIG. 9.

(56) **References Cited**

U.S. PATENT DOCUMENTS

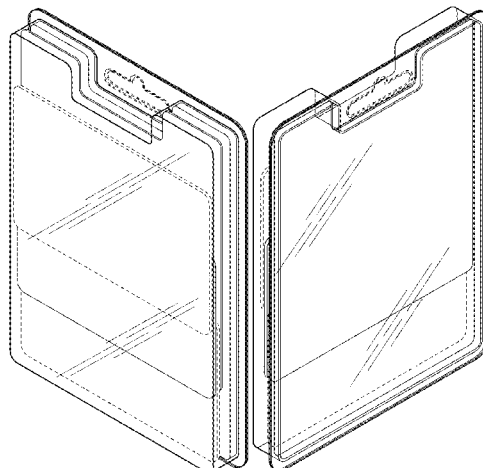
4,619,364 A 10/1986 Czopor, Jr.
4,807,747 A * 2/1989 Hadtke B65D 85/20
206/327

(Continued)

OTHER PUBLICATIONS

Restriction Requirement from U.S. Appl. No. 29/670,420, dated Feb. 8, 2021.

(Continued)



The broken lines in the drawings illustrate portions of the package of transaction cards that form no part of the claimed design.

1 Claim, 8 Drawing Sheets

Related U.S. Application Data

division of application No. 29/670,420, filed on Nov. 15, 2018, now Pat. No. Des. 915,220.

(58) **Field of Classification Search**

CPC B65D 5/2057; B65D 5/541; B65D 75/14; B65D 83/0418; B65D 85/60; B65D 5/546; B65D 5/705; B65D 71/0085; B65D 83/0847; B65D 5/545; B65D 75/5838; B65D 2571/0066

See application file for complete search history.

(56) **References Cited**

U.S. PATENT DOCUMENTS

5,740,915 A * 4/1998 Williams A45C 11/182
206/39
5,760,381 A * 6/1998 Stich G06Q 20/3433
379/144.04
5,777,305 A 7/1998 Smith et al.
5,918,909 A 7/1999 Fiala et al.
5,975,302 A * 11/1999 Young G09F 3/20
206/39

5,984,091 A 11/1999 Orr et al.
D427,900 S 7/2000 O'Malley et al.
6,224,108 B1 5/2001 Klure
6,315,206 B1 11/2001 Hansen et al.
6,328,341 B2 12/2001 Klure
6,698,116 B2 3/2004 Waldron
6,957,737 B1 10/2005 Frederickson et al.
D598,737 S 8/2009 Neves et al.
8,181,789 B1 5/2012 Casella et al.
8,256,682 B2 9/2012 Chakiris et al.
8,419,889 B2 4/2013 Smith
D719,037 S 12/2014 Tsai et al.
8,939,354 B1 * 1/2015 Hinson G06Q 20/34
235/375
9,049,909 B2 6/2015 Smith
D785,334 S * 5/2017 Holt D3/318
D809,932 S * 2/2018 Bruggink D9/722
D819,455 S 6/2018 Fahy et al.
10,275,698 B2 4/2019 Pascua et al.
D897,423 S * 9/2020 Kelly D19/1
D909,861 S * 2/2021 Nelson D9/423
D915,220 S 4/2021 Pierce et al.
11,008,147 B2 5/2021 Glinert et al.
D928,628 S * 8/2021 Pierce D9/415
11,214,091 B2 * 1/2022 Pascua B42D 25/20
11,390,440 B2 * 7/2022 Gerrard B65D 73/0078
2002/0088855 A1 7/2002 Hodes
2006/0278551 A1 12/2006 Bianchini et al.
2007/0045401 A1 3/2007 Sturm
2007/0063052 A1 3/2007 Chakiris et al.
2009/0038968 A1 2/2009 Smith
2011/0031148 A1 2/2011 Rosendall et al.
2012/0037534 A1 2/2012 Omage et al.
2012/0259718 A1 10/2012 Miller et al.
2015/0225115 A1 8/2015 Nakamura et al.

* cited by examiner

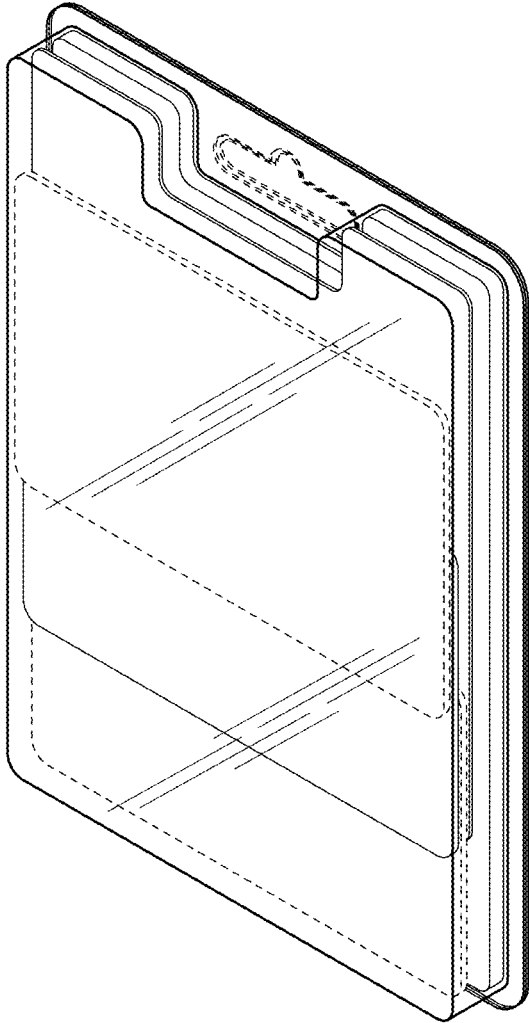


FIG. 1

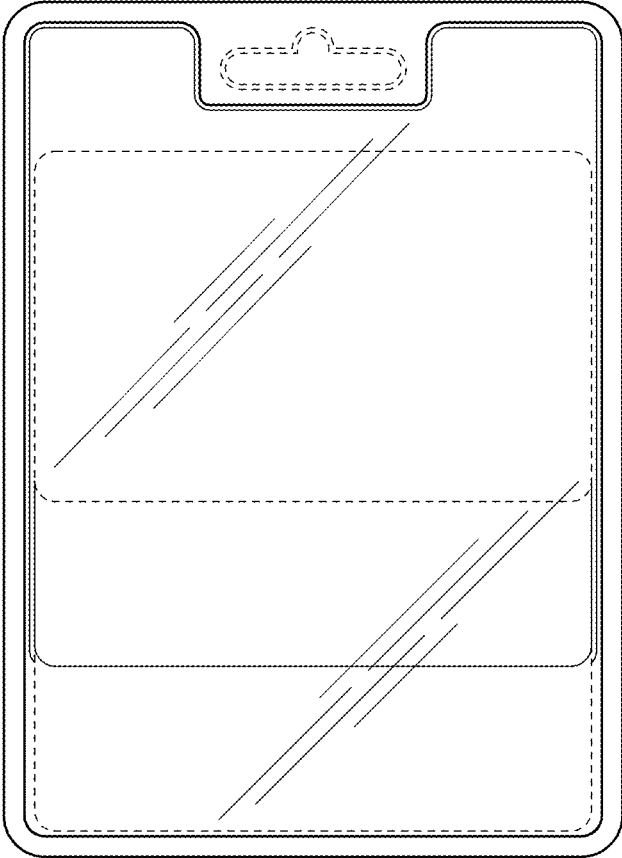


FIG. 2

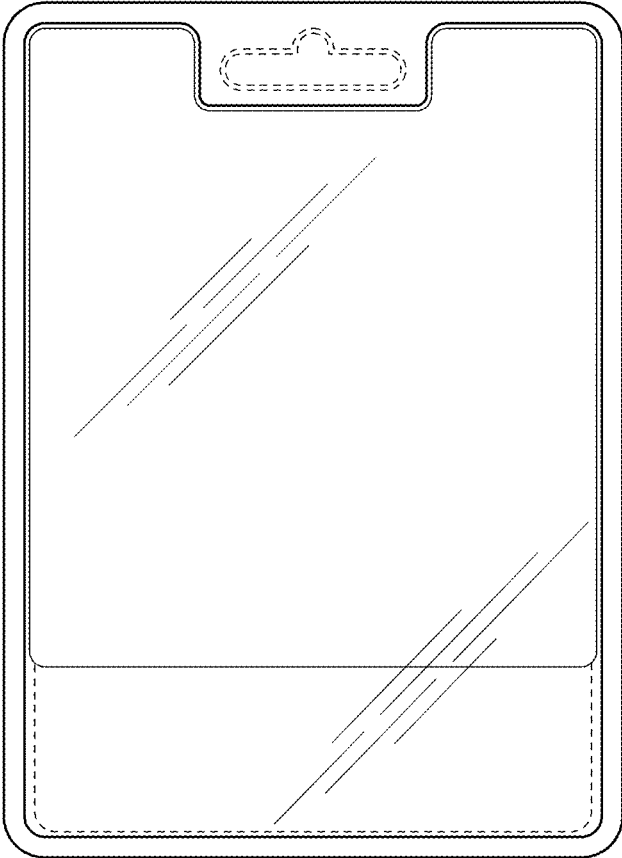


FIG. 3



FIG. 4



FIG. 5

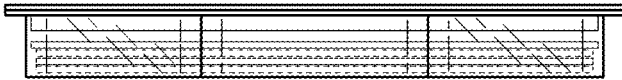


FIG. 6

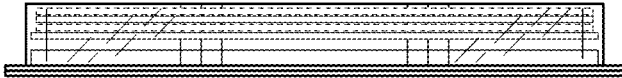


FIG. 7

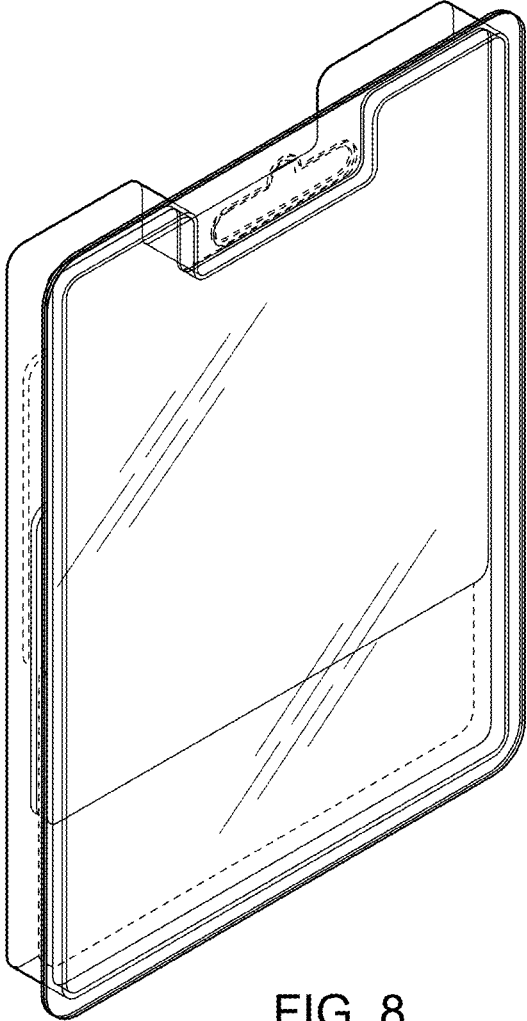


FIG. 8

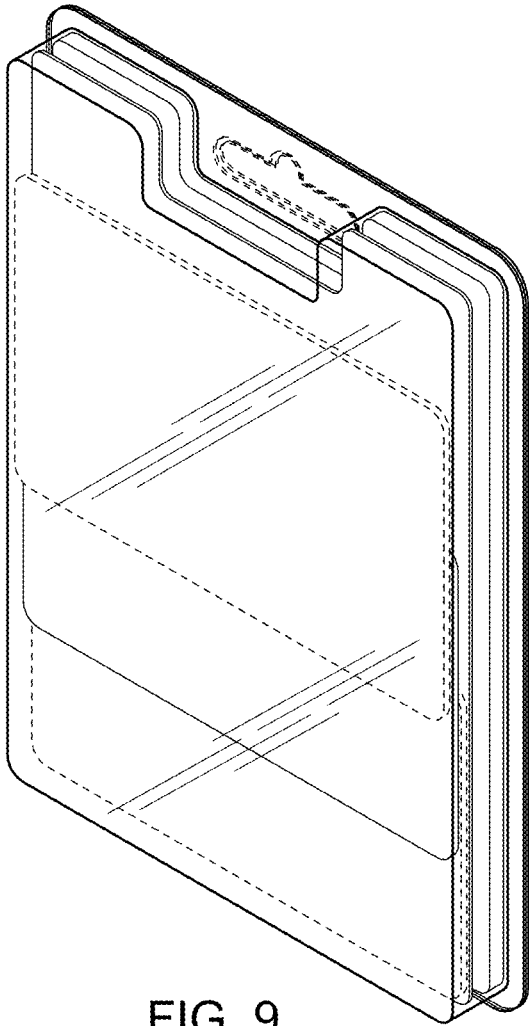


FIG. 9

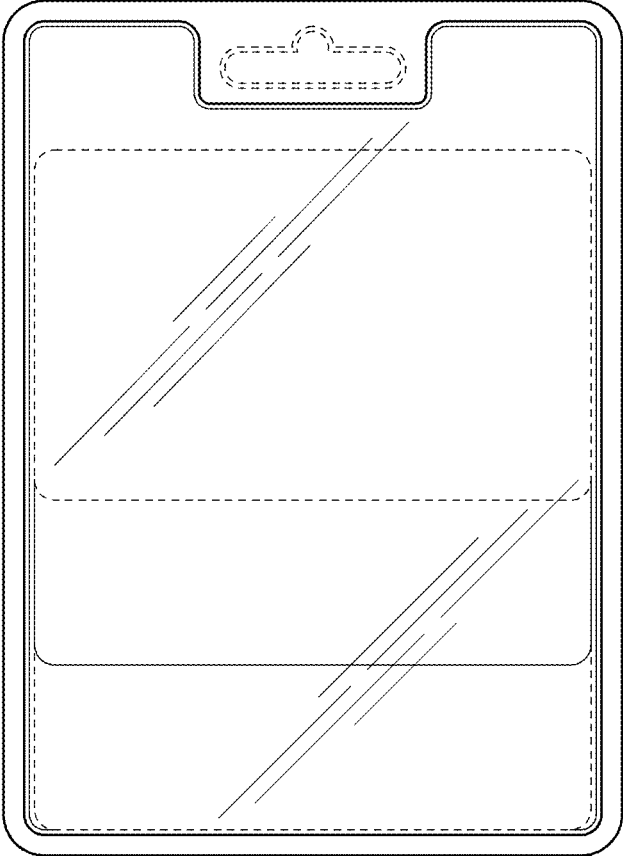


FIG. 10

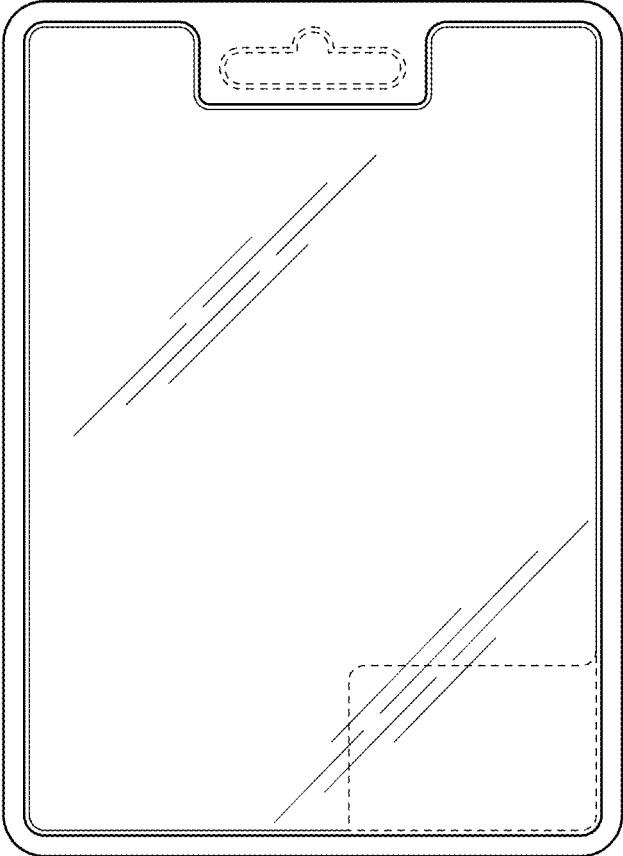


FIG. 11

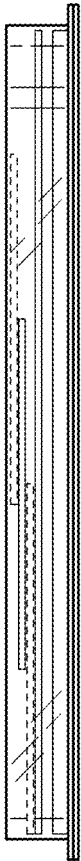


FIG. 12



FIG. 13

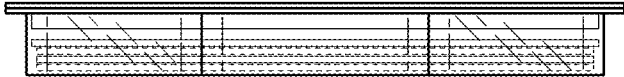


FIG. 14



FIG. 15

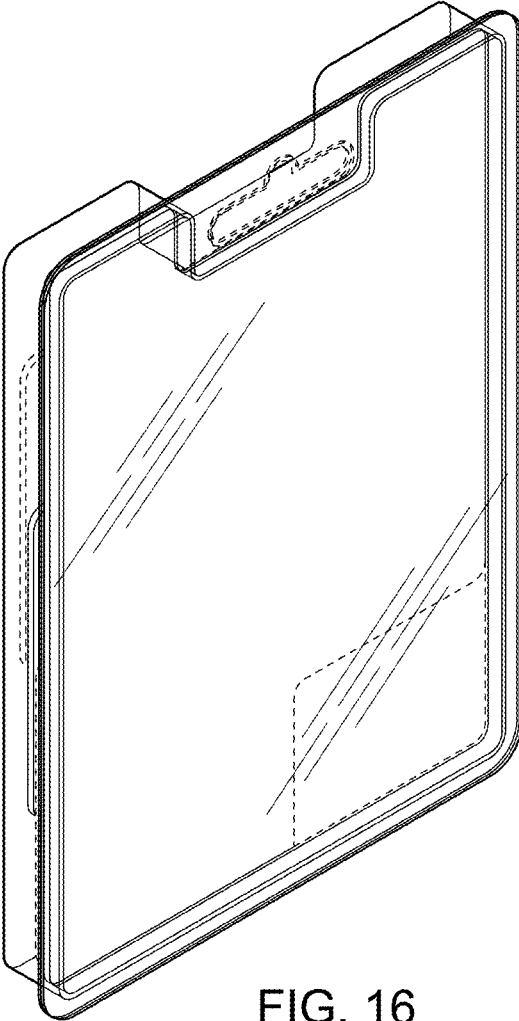


FIG. 16