



US0D1024290S

(12) **United States Design Patent**
Zhou

(10) **Patent No.:** **US D1,024,290 S**

(45) **Date of Patent:** **** Apr. 23, 2024**

(54) **ICE BATH TUB**

(71) Applicant: **Qin Zhou**, Miluo (CN)

(72) Inventor: **Qin Zhou**, Miluo (CN)

(**) Term: **15 Years**

(21) Appl. No.: **29/924,171**

(22) Filed: **Jan. 17, 2024**

(51) **LOC (14) Cl.** **23-06**

(52) **U.S. Cl.**
USPC **D23/277; D24/205**

(58) **Field of Classification Search**
USPC D23/275-277, 280.1; D24/204-205;
D21/815
CPC A61H 2201/0103; A61H 2201/0161; A61H
33/0087
See application file for complete search history.

(56) **References Cited**

U.S. PATENT DOCUMENTS

D965,752	S	*	10/2022	Lou	D23/277
D1,008,427	S	*	12/2023	Jia	D23/277
D1,008,428	S	*	12/2023	Wu	D23/277
2017/0275905	A1	*	9/2017	Liu	A61H 33/0087
2023/0320930	A1	*	10/2023	Hearn	A61H 33/6005 607/85

FOREIGN PATENT DOCUMENTS

CA	2536029	A1	*	8/2006	A61H 33/0087
WO	DM228346		*	4/2023		
WO	DM/228346			4/2023		

OTHER PUBLICATIONS

Net World Sports: Aceso Portable Cold Plunge Ice Bath [100Gal.]
<https://www.networldsports.com/portable-ice-bath.html> (Year: 2023).*

* cited by examiner

Primary Examiner — Robert A Delehanty
(74) *Attorney, Agent, or Firm* — Daniel M. Cohn;
Howard M. Cohn

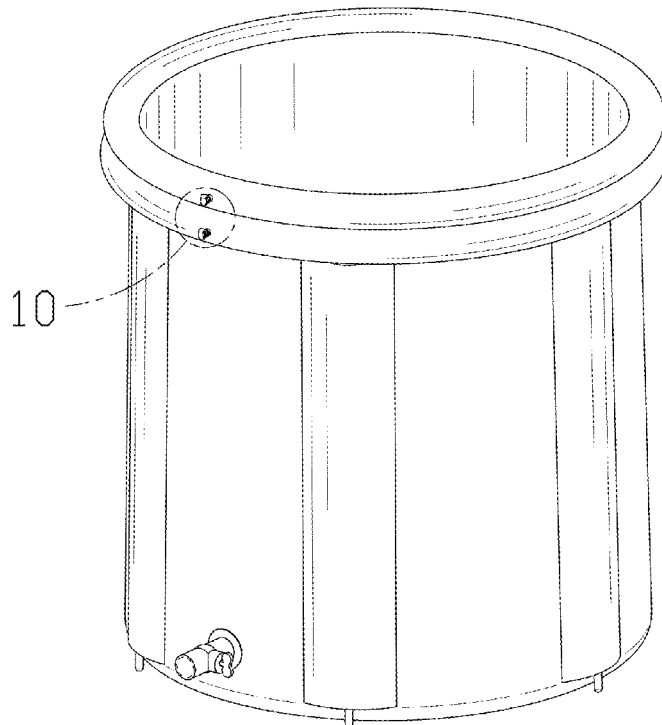
(57) **CLAIM**

The ornamental design for an ice bath tub, as shown and described.

DESCRIPTION

FIG. 1 is a top, front and right side perspective view of an ice bath tub, showing my new design;
FIG. 2 is a bottom, rear and left side perspective view thereof;
FIG. 3 is a front elevational view thereof;
FIG. 4 is a rear elevational view thereof;
FIG. 5 is a left side elevational view thereof;
FIG. 6 is a right side elevational view thereof;
FIG. 7 is a top plan view thereof;
FIG. 8 is a bottom plan view thereof;
FIG. 9 is an exploded perspective view of the ice bath tub shown in FIG. 1; and,
FIG. 10 is an enlarged view of portion 10 shown in FIG. 1. The broken lines in the drawings depict portions of the ice bath tub that form no part of the claimed design.

1 Claim, 10 Drawing Sheets



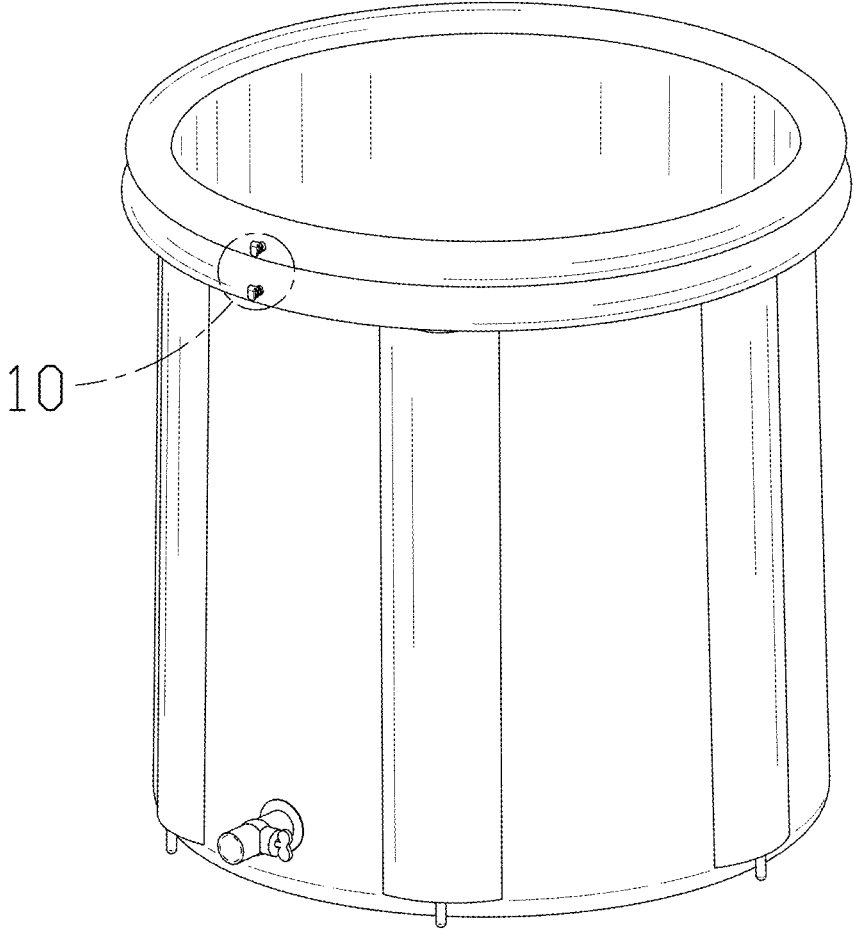


FIG. 1

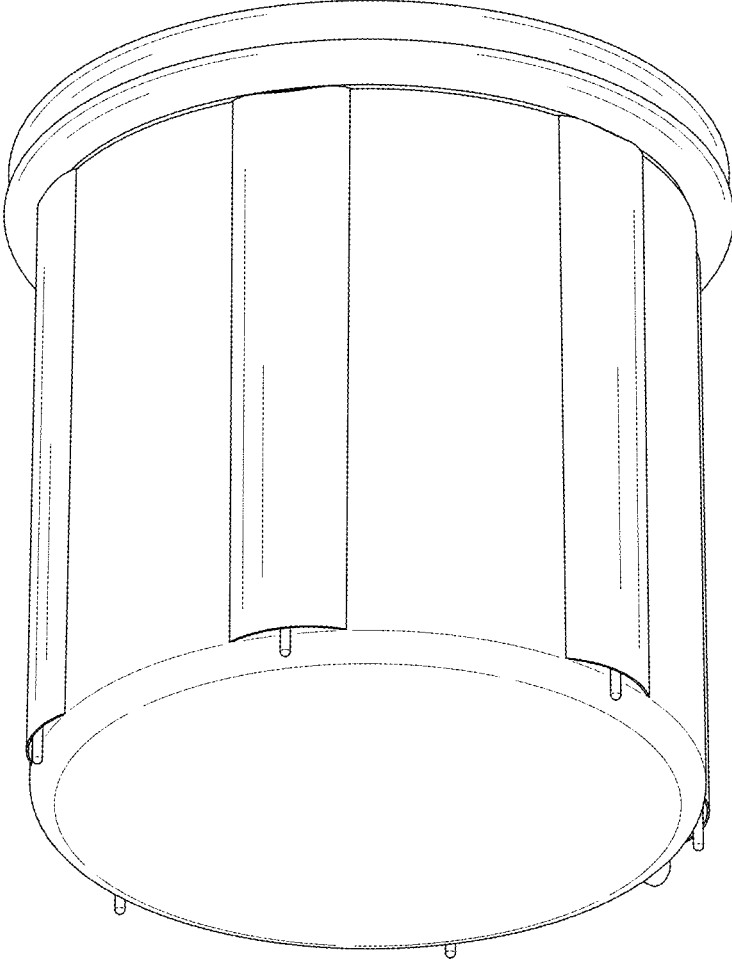


FIG. 2

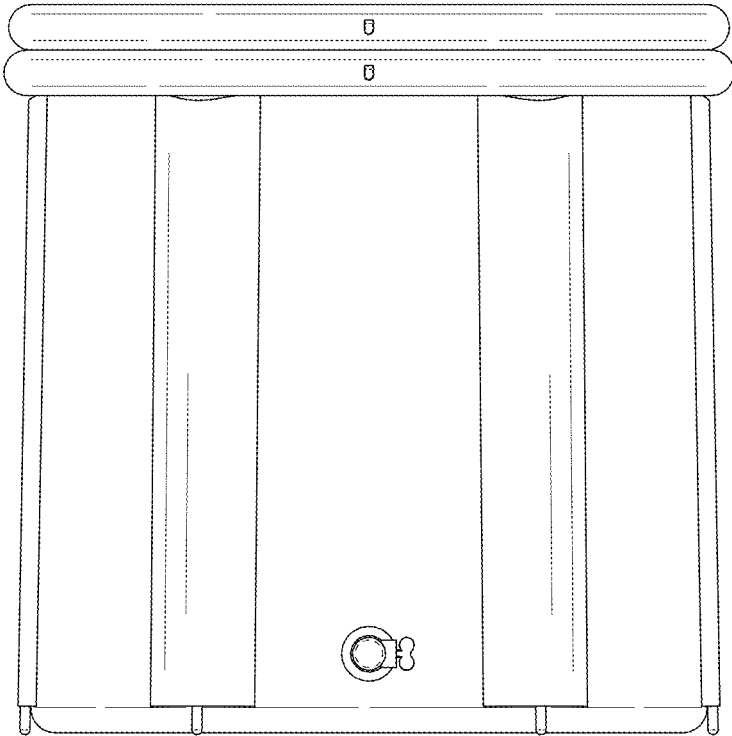


FIG. 3

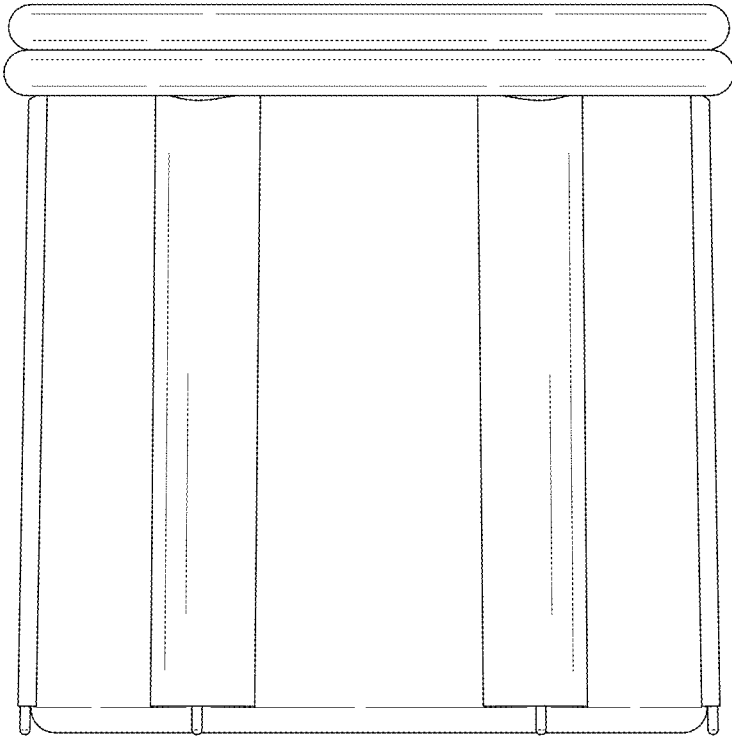


FIG. 4

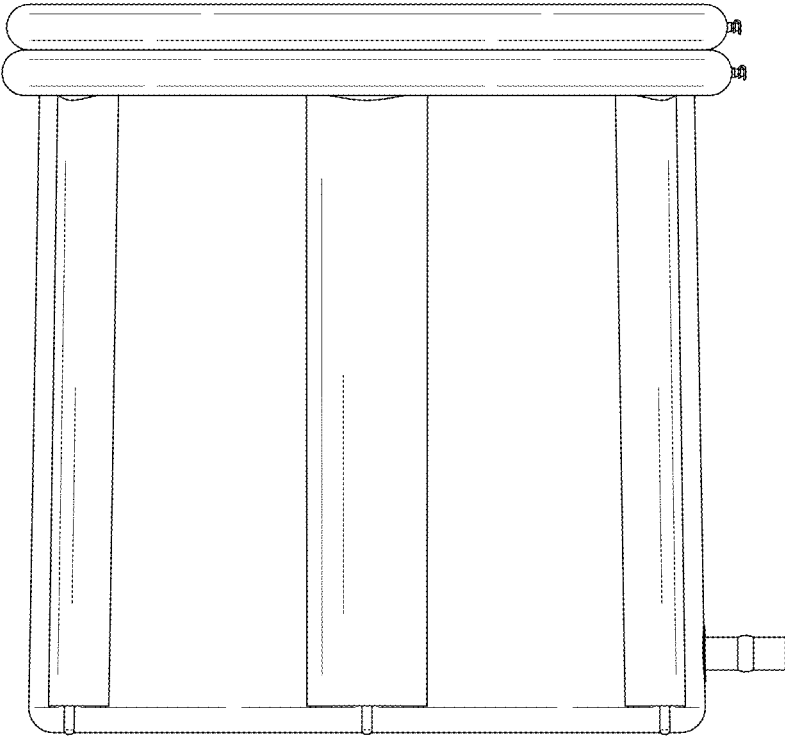


FIG. 5

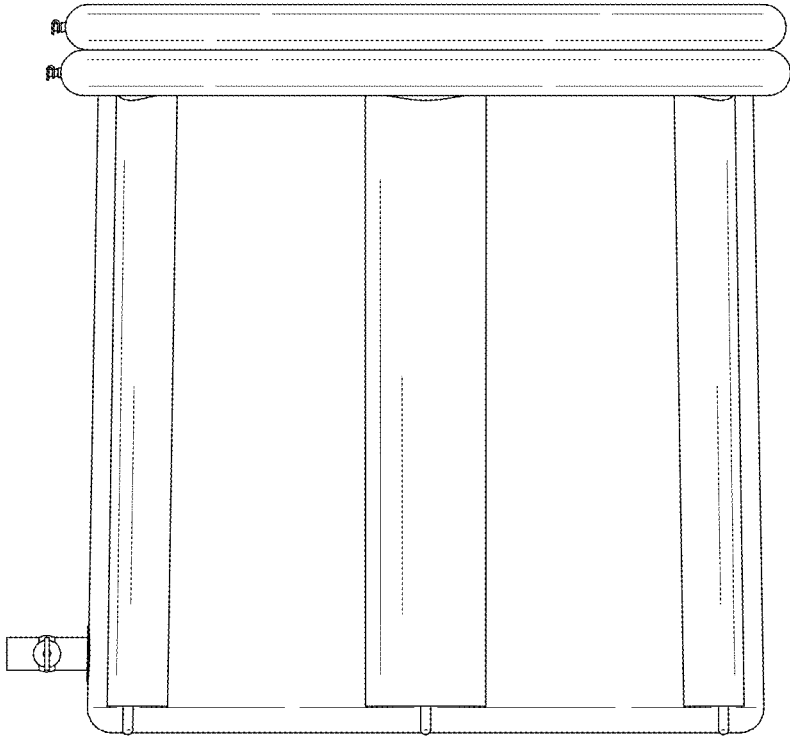


FIG. 6

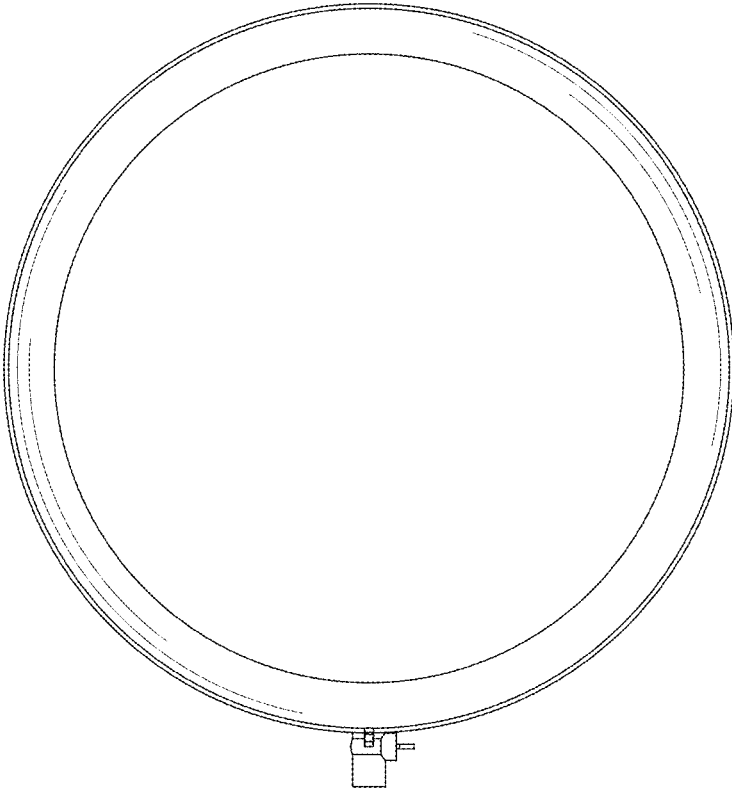


FIG. 7

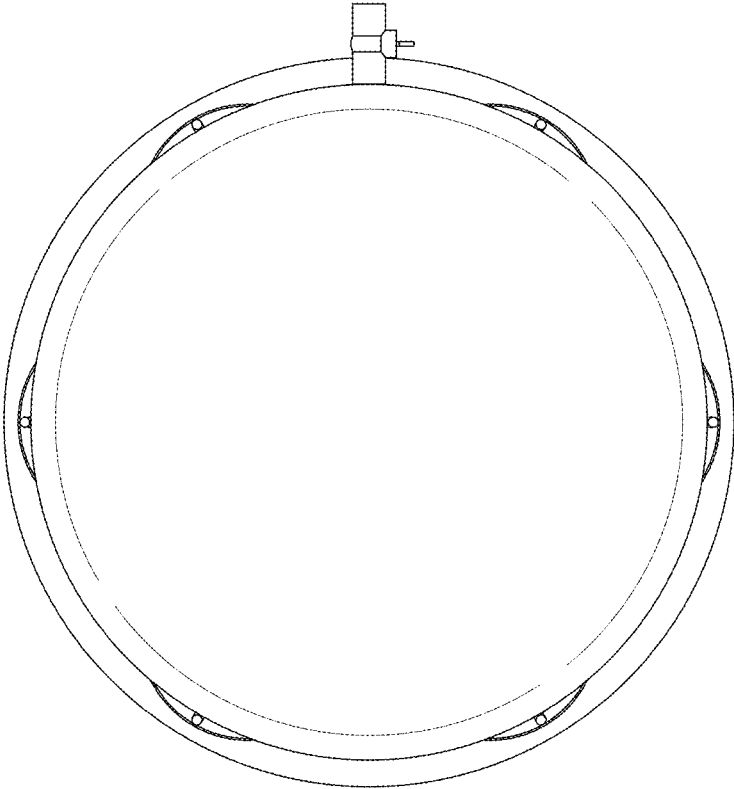


FIG. 8

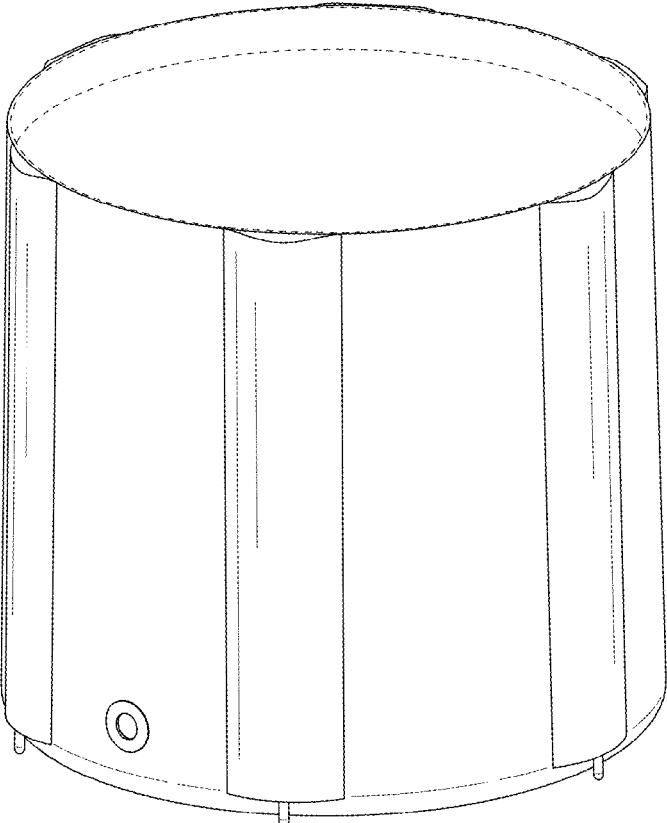
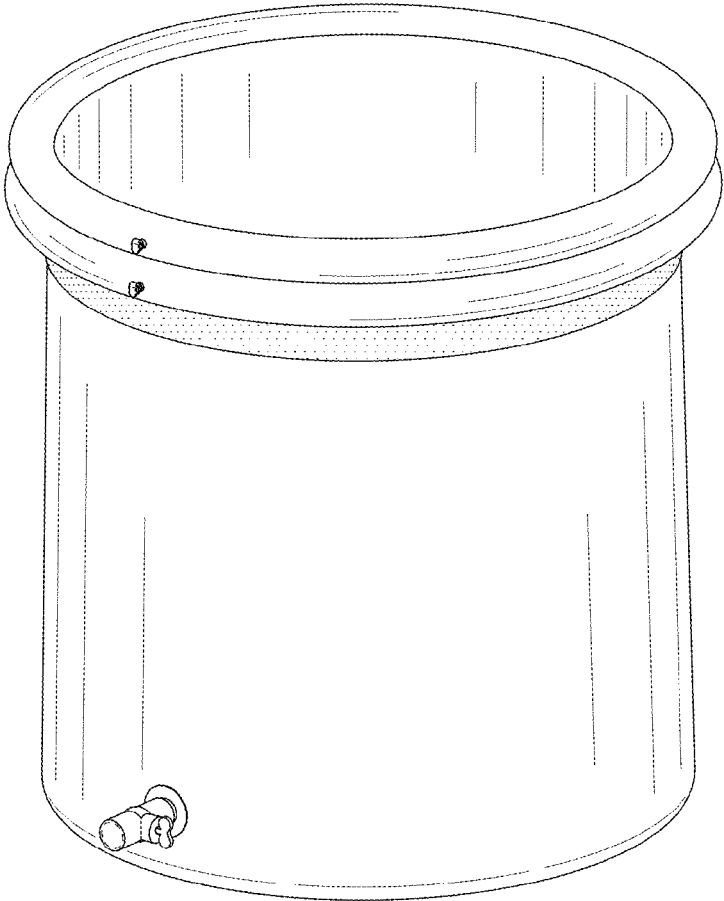


FIG. 9

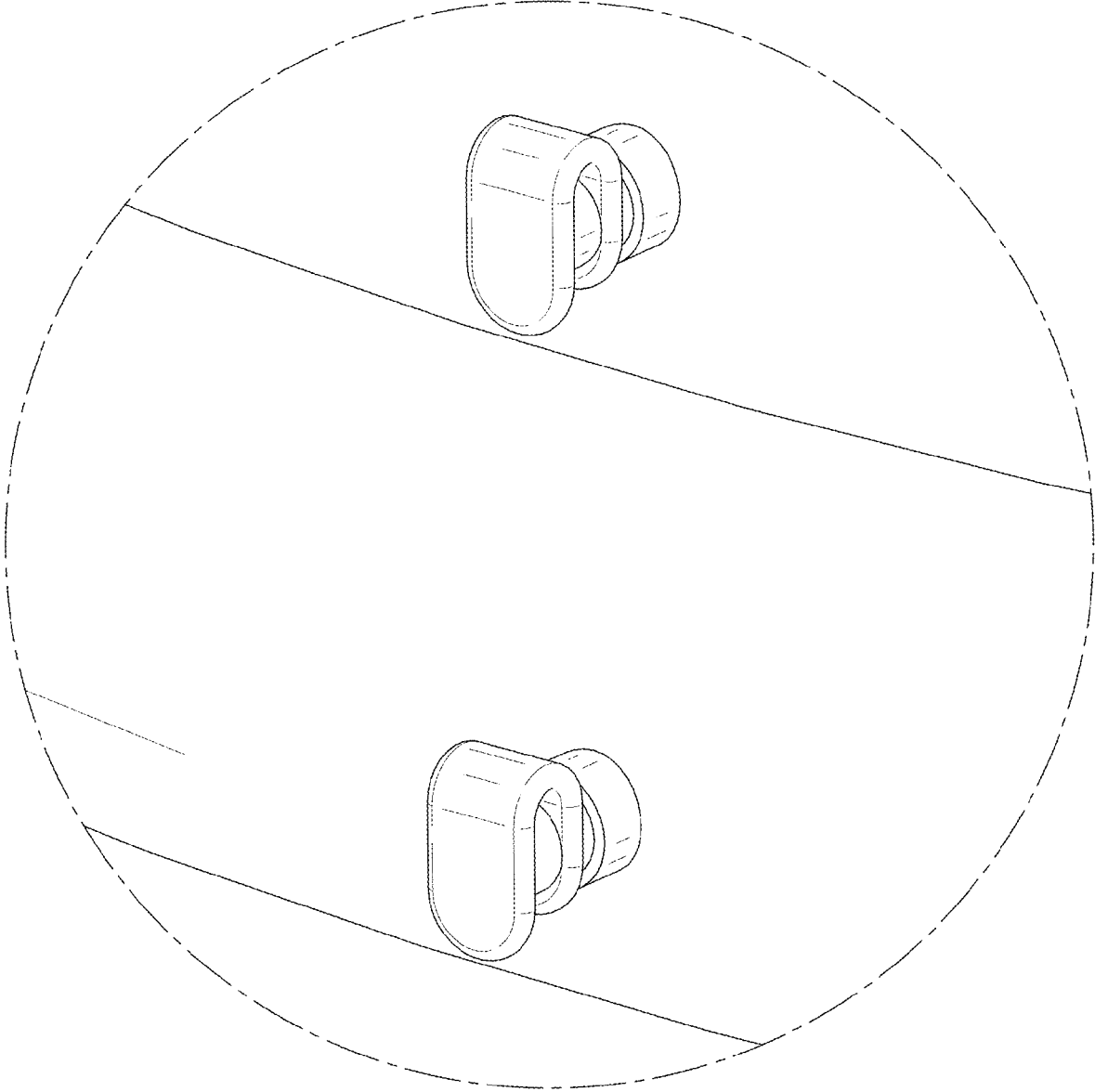


FIG. 10