



US0D1065136S

(12) **United States Design Patent**
Hung et al.

(10) **Patent No.:** **US D1,065,136 S**

(45) **Date of Patent:** **** Mar. 4, 2025**

(54) **LOUDSPEAKER**

(71) Applicant: **Harman International Industries, Incorporated**, Northridge, CA (US)

(72) Inventors: **Wei Hsuan Hung**, Shenzhen (CN);
Gianni Teruzzi, Shenzhen (CN);
Ondrej Vaclavik, Shenzhen (CN)

(73) Assignee: **Harman International Industries, Incorporated**, Northridge, CA (US)

(**) Term: **15 Years**

(21) Appl. No.: **29/867,957**

(22) Filed: **Nov. 15, 2022**

(51) **LOC (15) Cl.** **14-01**

(52) **U.S. Cl.**

USPC **D14/214**

(58) **Field of Classification Search**

USPC D13/110, 162; D14/125, 155, 160, 168,
D14/170–172, 188, 204, 209.1, 210,
D14/213–216, 219, 222, 240, 300, 356,
D14/358, 363, 509; D23/364, 351, 352,
D23/385

CPC H04R 9/06; H04R 5/02; H04R 29/001;
H04R 29/002; H04R 1/02; H04R 1/026;
H04R 1/345; H04R 1/2834; H04R
1/2888; H04R 1/288; H04R 1/2819;
H04R 2400/07; H04R 2400/11; H04R
3/12

See application file for complete search history.

(56) **References Cited**

U.S. PATENT DOCUMENTS

D726,143 S * 4/2015 Cheng D14/197
D766,215 S 9/2016 Mackiewicz et al.
D801,310 S 10/2017 Kachwalla et al.
D806,680 S 1/2018 Demin et al.
D809,480 S * 2/2018 Schaal D14/216

D809,481 S * 2/2018 McManigal D14/216
D809,482 S * 2/2018 Fischer D14/216
D809,483 S * 2/2018 Fischer D14/216
D842,841 S 3/2019 Demin
D862,416 S 10/2019 Czaniecki et al.
D874,426 S 2/2020 Kim
D894,156 S * 8/2020 Pai D14/216
D909,331 S 2/2021 Sretovic
D926,721 S 8/2021 Kim
D933,632 S * 10/2021 Distefano D14/204
D951,230 S * 5/2022 Kim D14/216
D964,311 S 9/2022 Bellinghausen et al.
D969,988 S * 11/2022 Lee D23/366
D985,535 S * 5/2023 Park D14/216
D995,479 S * 8/2023 Kim D14/216

* cited by examiner

Primary Examiner — Khawaja Anwar

Assistant Examiner — Megan Tiana Rakos

(74) *Attorney, Agent, or Firm* — Plumsea Law Group, LLC

(57) **CLAIM**

The ornamental design for a loudspeaker, as shown and described.

DESCRIPTION

FIG. 1 is a top, front perspective view of a loudspeaker showing the new design;

FIG. 2 is a front elevational view thereof;

FIG. 3 is a rear elevational view thereof;

FIG. 4 is a side elevational view thereof;

FIG. 5 is an opposite side elevational view thereof;

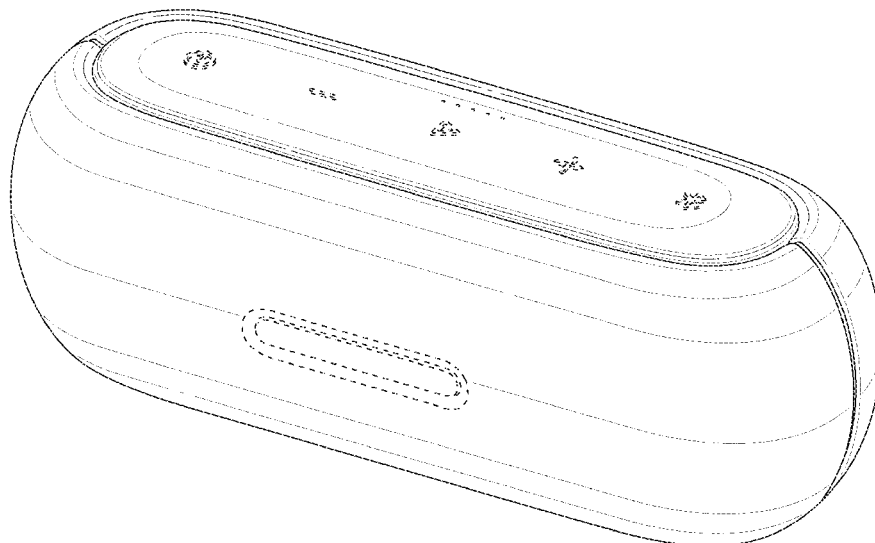
FIG. 6 is a top view thereof; and,

FIG. 7 is a bottom view thereof.

The broken lines in the figures illustrate portions of the loudspeaker that form no part of the claimed design.

The shading is provided merely to represent contours of the design and does not connote the character of the surfaces such as any specific texture, material, gloss, translucence, transparency, surface treatment, or surface decoration.

1 Claim, 7 Drawing Sheets



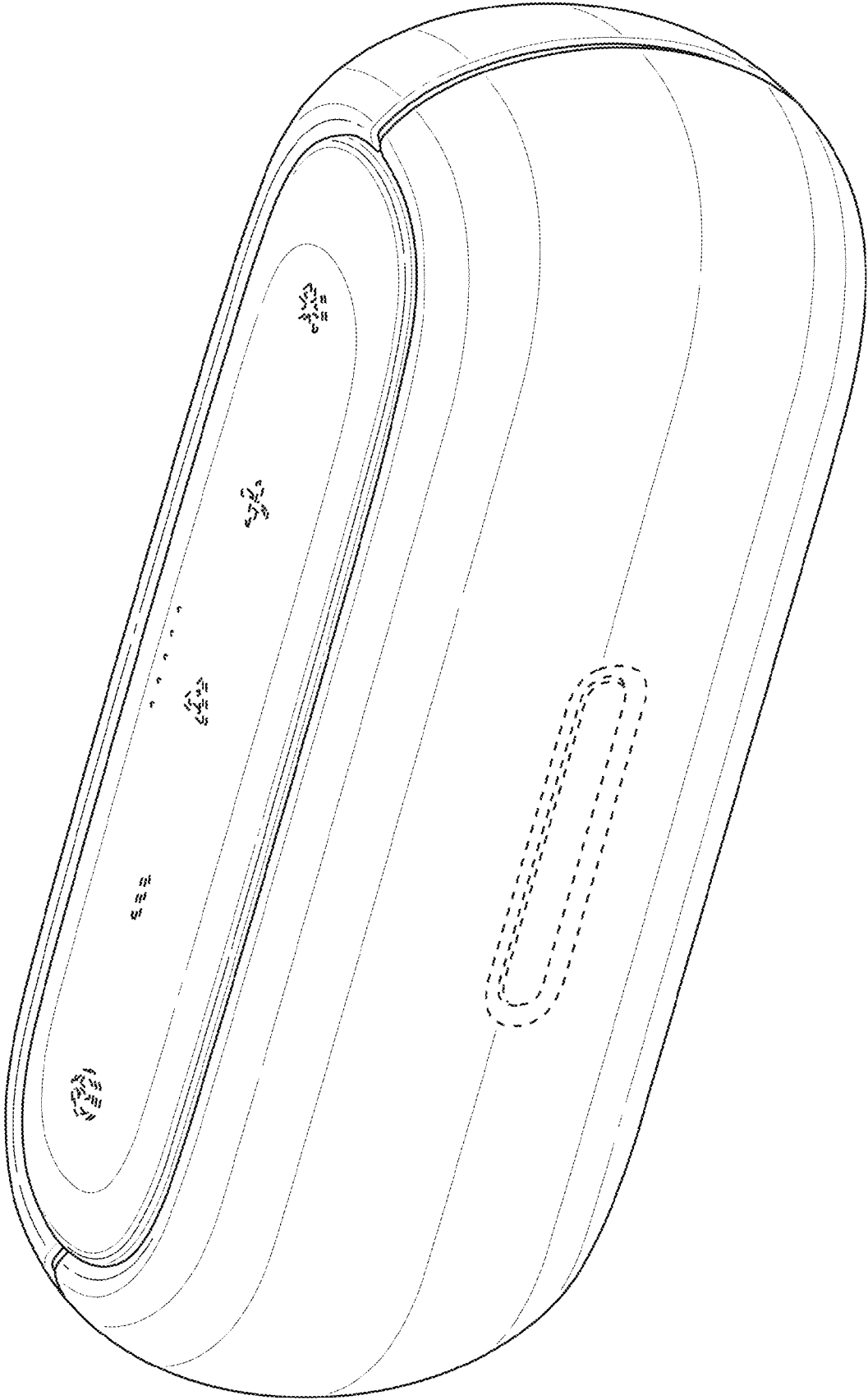


FIG. 1

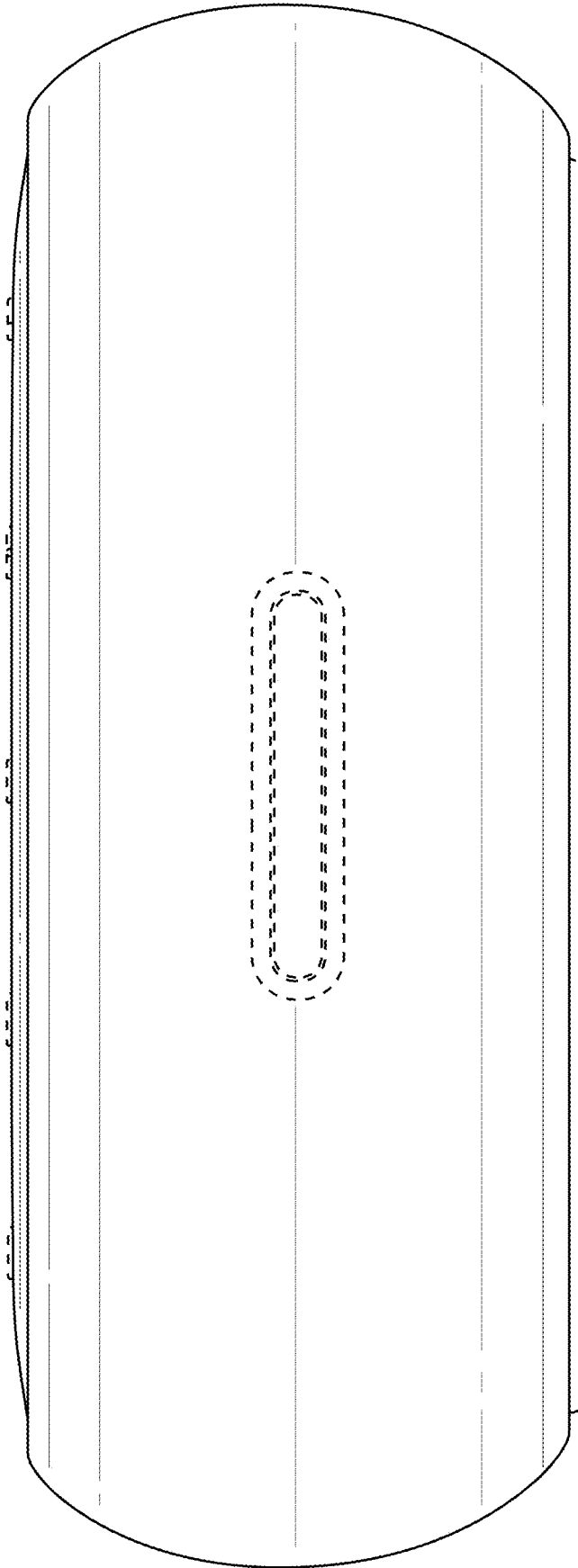


FIG. 2

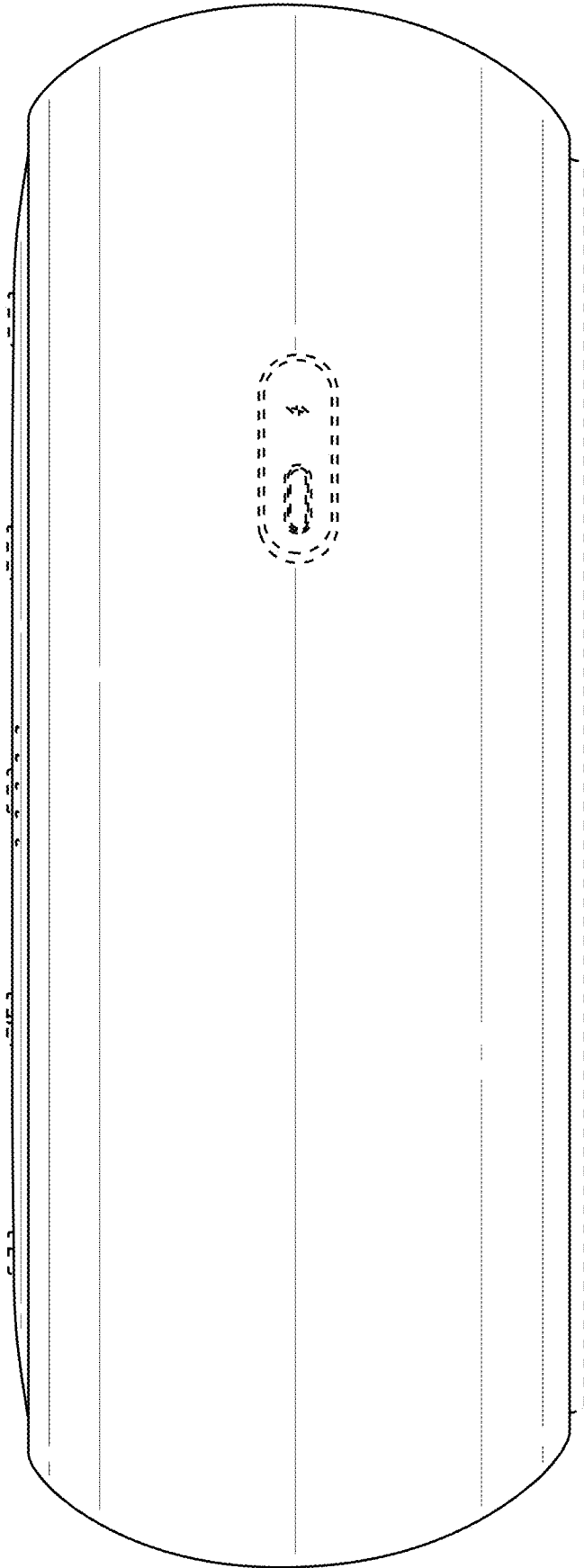


FIG. 3

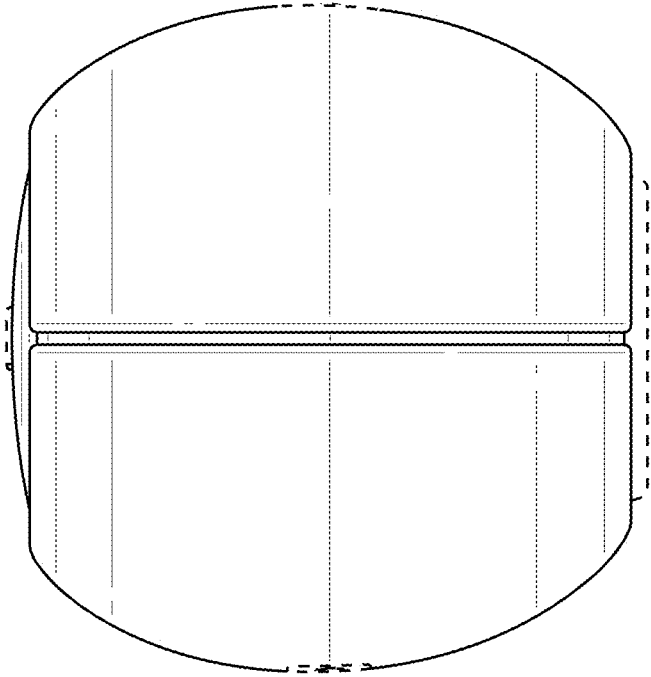


FIG. 4

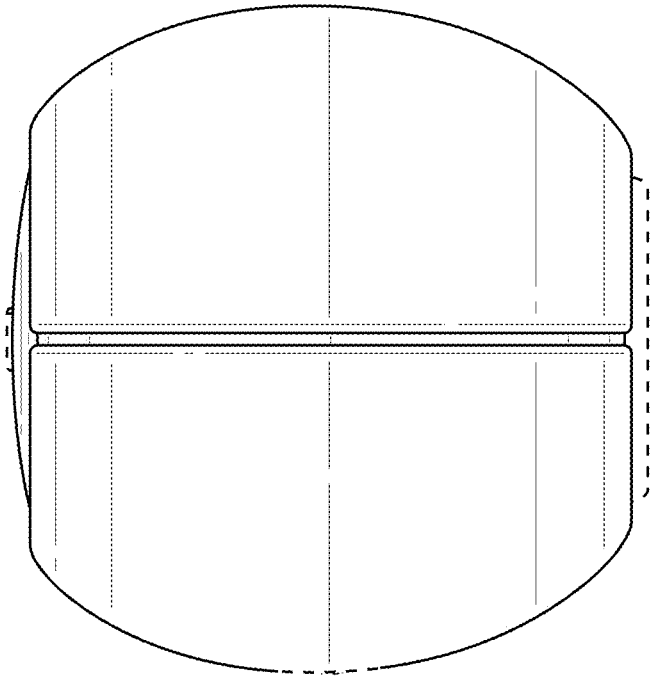


FIG. 5

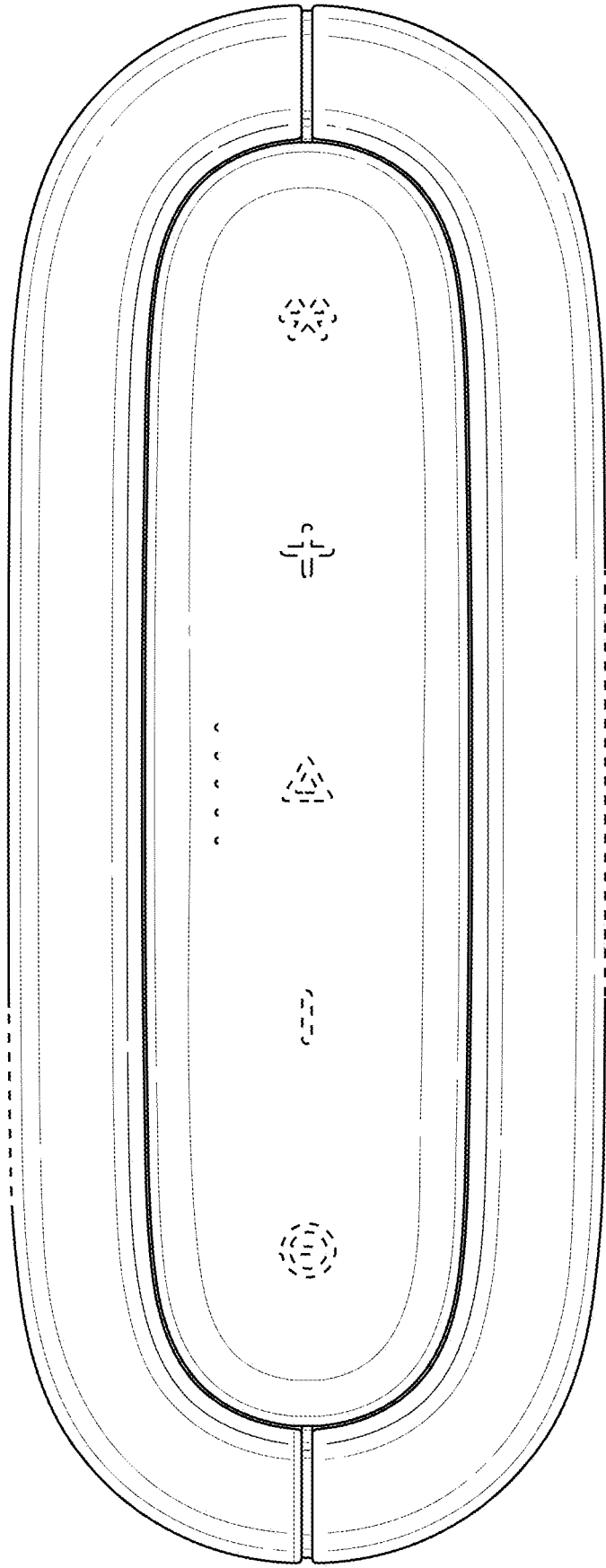


FIG. 6

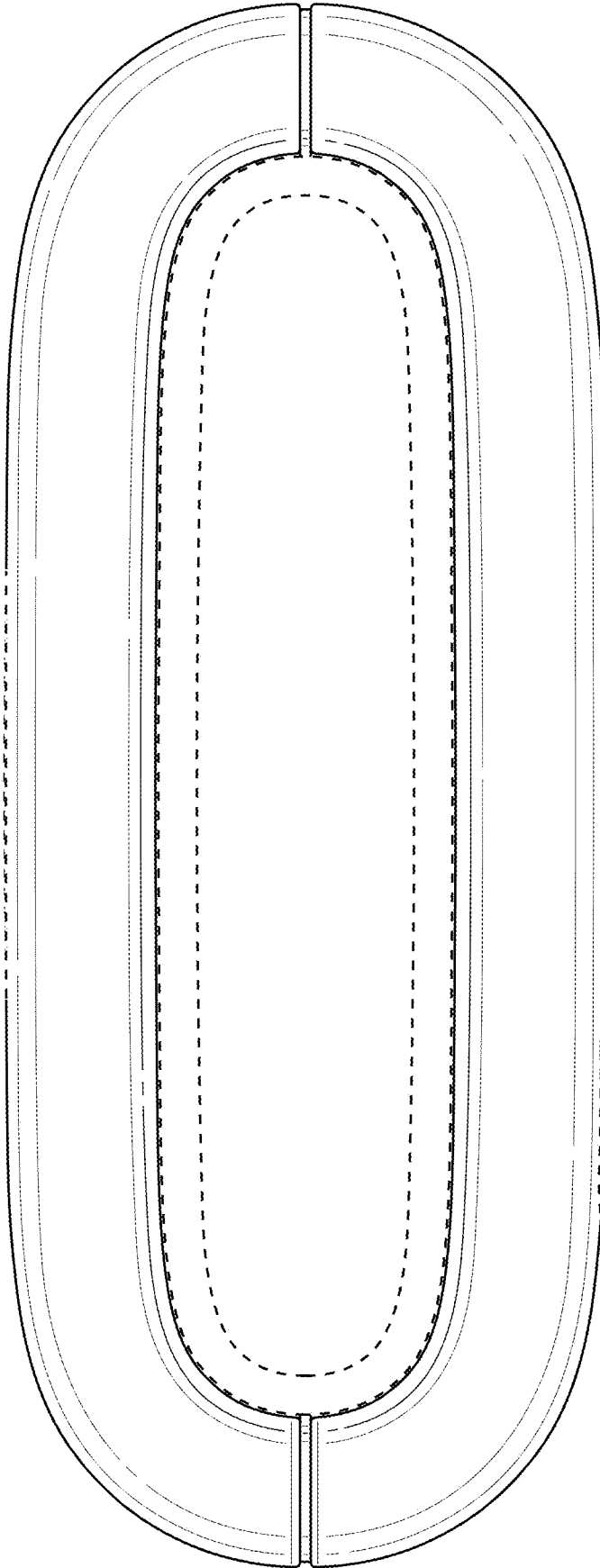


FIG. 7