

(19) World Intellectual Property Organization  
International Bureau



(43) International Publication Date  
7 February 2002 (07.02.2002)

PCT

(10) International Publication Number  
WO 02/010970 A3

(51) International Patent Classification<sup>7</sup>: G06F 17/24

(21) International Application Number: PCT/GB01/03395

(22) International Filing Date: 30 July 2001 (30.07.2001)

(25) Filing Language: English

(26) Publication Language: English

(30) Priority Data:  
09/627,798 28 July 2000 (28.07.2000) US

(71) Applicant (for all designated States except US): **GLAXO GROUP LIMITED** [GB/GB]; Glaxo Wellcome House, Berkeley Avenue, Greenford, Middlesex UB6 0NN (GB).

(72) Inventors; and

(75) Inventors/Applicants (for US only): **BROWN, Jacqueline, Tracey** [GB/GB]; GlaxoSmithKline, Gunnels Wood Road, Stevenage, Hertfordshire SG1 2NY (GB). **CREGAN, Robert, Martin** [GB/GB]; GlaxoSmithKline, Gunnels Wood Road, Stevenage, Hertfordshire SG1 2NY

(GB). **ESHKERI, Peter, Michael** [GB/GB]; 44 Cherry Hill, Watford, Hertfordshire WD1 5JL (GB). **HARVEY, Ian** [GB/GB]; 16A Love Lane, Rochester, Kent ME1 1TN (GB). **MURRELL, Nilmini** [GB/GB]; GlaxoSmithKline, Gunnels Wood Road, Stevenage, Hertfordshire SG1 2NY (GB). **SEELEY, Simon** [GB/GB]; 44 Cothan Vale, Bristol BS6 HS (GB).

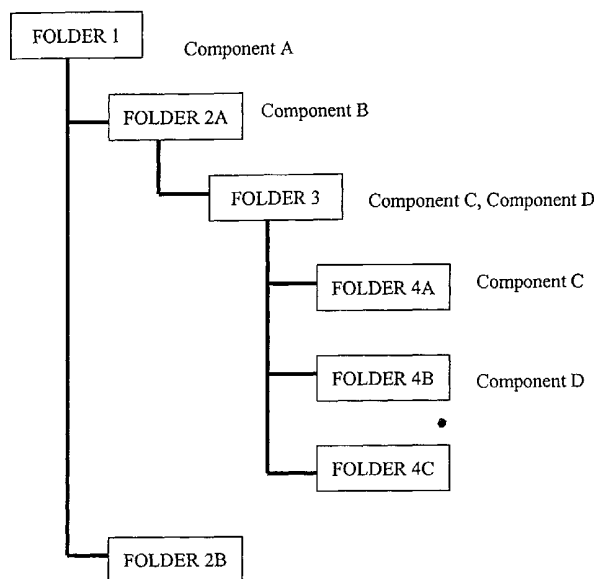
(74) Agent: **REED, Michael, Antony**; GlaxoSmithKline, Corporate Intellectual Property (CN9.25.1), 980 Great West Road, Brentford, Middlesex TW8 6GS (GB).

(81) Designated States (national): AE, AG, AL, AM, AT, AU, AZ, BA, BB, BG, BR, BY, BZ, CA, CH, CN, CO, CR, CU, CZ, DE, DK, DM, DZ, EC, EE, ES, FI, GB, GD, GE, GH, GM, HR, HU, ID, IL, IN, IS, JP, KE, KG, KP, KR, KZ, LC, LK, LR, LS, LT, LU, LV, MA, MD, MG, MK, MN, MW, MX, MZ, NO, NZ, PL, PT, RO, RU, SD, SE, SG, SI, SK, SL, TJ, TM, TR, TT, TZ, UA, UG, US, UZ, VN, YU, ZA, ZW.

(84) Designated States (regional): ARIPO patent (GH, GM, KE, LS, MW, MZ, SD, SL, SZ, TZ, UG, ZW), Eurasian patent (AM, AZ, BY, KG, KZ, MD, RU, TJ, TM), European

[Continued on next page]

(54) Title: DOCUMENT MANAGEMENT AND PUBLICATION USING REUSABLE PACKAGES AND COMPONENTS



(57) Abstract: A method and computer program product for document management and publication using reusable packages and components. Reusable document components are created and stored in a repository along with descriptive information. Reusable logical groups of the reusable document components and are also stored in the repository along with descriptive information. Documents are created from the reusable document components and reusable logical groups and are stored in the repository along with descriptive information. Management of the publication of large numbers of dossiers is facilitated by the use of a hierarchy of reusable document components and reusable packages of components.

WO 02/010970 A3



patent (AT, BE, CH, CY, DE, DK, ES, FI, FR, GB, GR, IE, IT, LU, MC, NL, PT, SE, TR), OAPI patent (BF, BJ, CF, CG, CI, CM, GA, GN, GQ, GW, ML, MR, NE, SN, TD, TG).

**(88) Date of publication of the international search report:**

1 August 2002

**Published:**

- *with international search report*
- *before the expiration of the time limit for amending the claims and to be republished in the event of receipt of amendments*

*For two-letter codes and other abbreviations, refer to the "Guidance Notes on Codes and Abbreviations" appearing at the beginning of each regular issue of the PCT Gazette.*

## INTERNATIONAL SEARCH REPORT

International Application No

PCT/GB 01/03395

**A. CLASSIFICATION OF SUBJECT MATTER**  
IPC 7 G06F17/24

According to International Patent Classification (IPC) or to both national classification and IPC

**B. FIELDS SEARCHED**

Minimum documentation searched (classification system followed by classification symbols)

IPC 7 G06F

Documentation searched other than minimum documentation to the extent that such documents are included in the fields searched

Electronic data base consulted during the international search (name of data base and, where practical, search terms used)

WPI Data, EPO-Internal, PAJ, IBM-TDB

**C. DOCUMENTS CONSIDERED TO BE RELEVANT**

Category *	Citation of document, with indication, where appropriate, of the relevant passages	Relevant to claim No.
X	US 5 553 216 A (M. YOSHIOKA ET AL.) 3 September 1996 (1996-09-03) the whole document ---	1-7
X A	US 5 181 162 A (R. M. SMITH ET AL.) 19 January 1993 (1993-01-19) the whole document ---	1,2,5-7 3,4
X A	US 5 734 883 A (M. J. UMEN ET AL.) 31 March 1998 (1998-03-31) cited in the application the whole document ---	1,2,5-7 3,4
A	US 5 148 366 A (K. BUCHANAN ET AL.) 15 September 1992 (1992-09-15) the whole document -----	1-7

 Further documents are listed in the continuation of box C. Patent family members are listed in annex.

## \* Special categories of cited documents:

\*A\* document defining the general state of the art which is not considered to be of particular relevance

\*E\* earlier document but published on or after the international filing date

\*L\* document which may throw doubts on priority claim(s) or which is cited to establish the publication date of another citation or other special reason (as specified)

\*O\* document referring to an oral disclosure, use, exhibition or other means

\*P\* document published prior to the international filing date but later than the priority date claimed

\*T\* later document published after the international filing date or priority date and not in conflict with the application but cited to understand the principle or theory underlying the invention

\*X\* document of particular relevance; the claimed invention cannot be considered novel or cannot be considered to involve an inventive step when the document is taken alone

\*Y\* document of particular relevance; the claimed invention cannot be considered to involve an inventive step when the document is combined with one or more other such documents, such combination being obvious to a person skilled in the art.

\*Z\* document member of the same patent family

Date of the actual completion of the international search

30 May 2002

Date of mailing of the international search report

07/06/2002

Name and mailing address of the ISA

European Patent Office, P.B. 5818 Patentlaan 2  
NL - 2280 HV Rijswijk  
Tel. (+31-70) 340-2040, Tx. 31 651 epo nl,  
Fax: (+31-70) 340-3016

Authorized officer

Abram, R

## INTERNATIONAL SEARCH REPORT

 International Application No  
 PCT/GB 01/03395

Patent document cited in search report		Publication date	Patent family member(s)	Publication date
US 5553216	A	03-09-1996	JP 6250895 A	09-09-1994
US 5181162	A	19-01-1993	EP 0462242 A1 WO 9108538 A1	27-12-1991 13-06-1991
US 5734883	A	31-03-1998	AU 5550996 A CA 2216822 A1 EP 0832462 A1 JP 11504450 T US 5963967 A WO 9634348 A1 US 6205455 B1 US 2001016842 A1	18-11-1996 31-10-1996 01-04-1998 20-04-1999 05-10-1999 31-10-1996 20-03-2001 23-08-2001
US 5148366	A	15-09-1992	AU 637552 B2 AU 6509690 A CA 2067780 A1 EP 0496747 A1 WO 9106056 A1 US 5267155 A	27-05-1993 16-05-1991 17-04-1991 05-08-1992 02-05-1991 30-11-1993