



US00D715944S

(12) **United States Design Patent**  
**Yao et al.**

(10) **Patent No.:** **US D715,944 S**

(45) **Date of Patent:** **\*\* Oct. 21, 2014**

(54) **COMBINED POSITRON EMISSION  
TOMOGRAPHY AND COMPUTED  
TOMOGRAPHY**

(71) Applicant: **Shanghai United Imaging Healthcare  
Co., Ltd.**, Shanghai (CN)

(72) Inventors: **Chungjiang Yao**, Shanghai (CN); **Long  
Li**, Shanghai (CN); **Jun Zhang**,  
Shanghai (CN); **Anthony Oh Kok  
Chong**, Shanghai (CN)

(73) Assignee: **Shanghai United Imaging Healthcare  
Co., Ltd.**, Shanghai (CN)

(\*\*) Term: **14 Years**

(21) Appl. No.: **29/444,595**

(22) Filed: **Jan. 31, 2013**

(30) **Foreign Application Priority Data**

Sep. 5, 2012 (CN) ..... 2012 3 0436347

(51) **LOC (10) Cl.** ..... **24-01**

(52) **U.S. Cl.**  
USPC ..... **D24/159**

(58) **Field of Classification Search**

USPC ..... D24/158-161, 185, 186; 378/4, 15, 17,  
378/20, 21, 23-27, 62, 68, 146, 195-198,  
378/57; 600/410, 421, 422

See application file for complete search history.

(56) **References Cited**

U.S. PATENT DOCUMENTS

D414,868 S *	10/1999	Baars	.....	D24/158
D420,134 S *	2/2000	Kitayama	.....	D24/159
D527,105 S *	8/2006	Kitayama et al.	.....	D24/158
D557,418 S *	12/2007	Onuma et al.	.....	D24/158
D659,248 S *	5/2012	Ramos	.....	D24/159
D678,527 S *	3/2013	Boninger	.....	D24/158

\* cited by examiner

*Primary Examiner* — Anhdao Doan

(74) *Attorney, Agent, or Firm* — Houtteman Law LLC

(57) **CLAIM**

The ornamental design for a combined positron emission tomography and computed tomography, as shown and described.

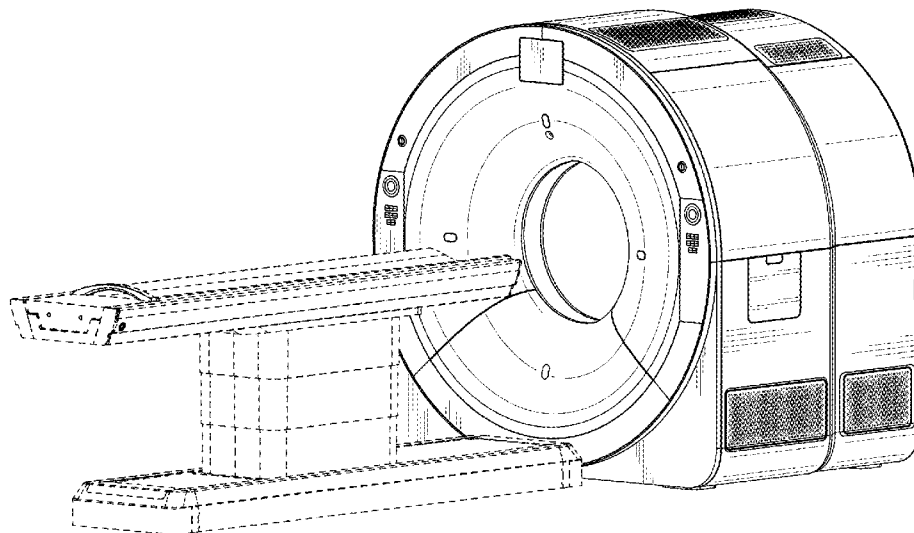
**DESCRIPTION**

FIG. 1 is a perspective view of a combined positron emission tomography and computed tomography showing my new design;

FIG. 2 is a front side view of the combined positron emission tomography and computed tomography shown in FIG. 1; FIG. 3 is a rear side view of the combined positron emission tomography and computed tomography shown in FIG. 1; FIG. 4 is a right side view of the combined positron emission tomography and computed tomography shown in FIG. 1; FIG. 5 is a left side view of the combined positron emission tomography and computed tomography shown in FIG. 1; FIG. 6 is a top view of the combined positron emission tomography and computed tomography shown in FIG. 1; and, FIG. 7 is a bottom view of the combined positron emission tomography and computed tomography shown in FIG. 1.

The portions of the combined positron emission tomography and computed tomography shown in broken lines form no part of the claimed design.

**1 Claim, 7 Drawing Sheets**



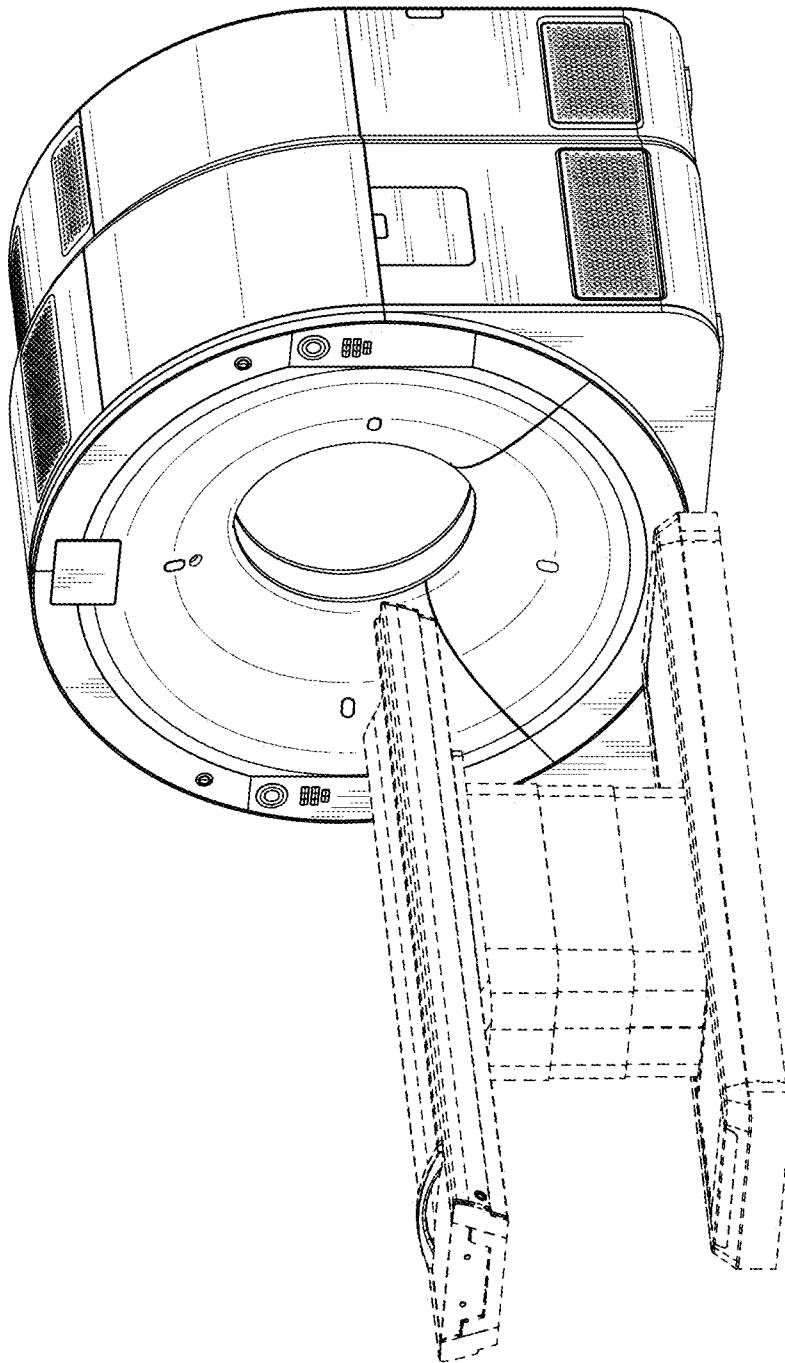
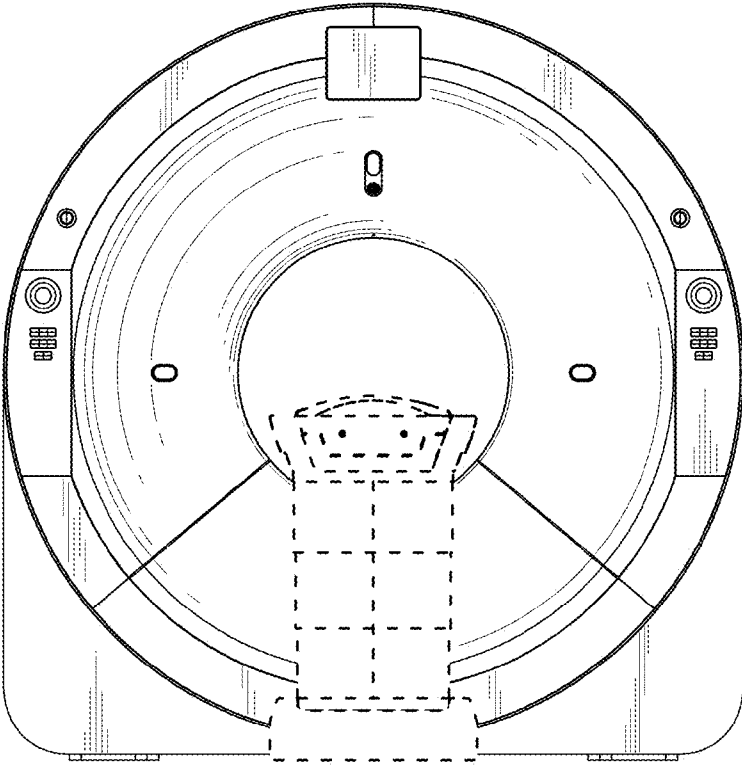
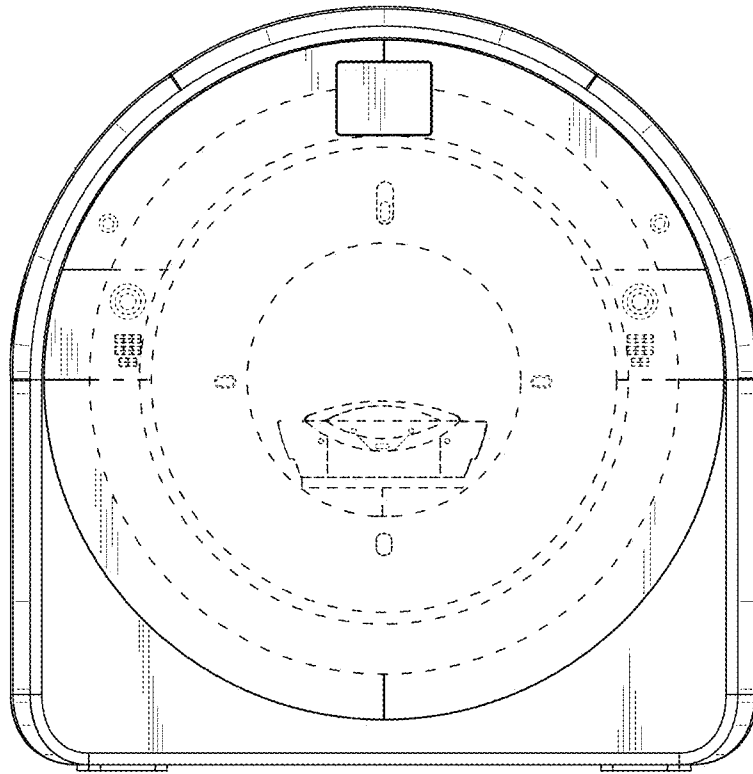


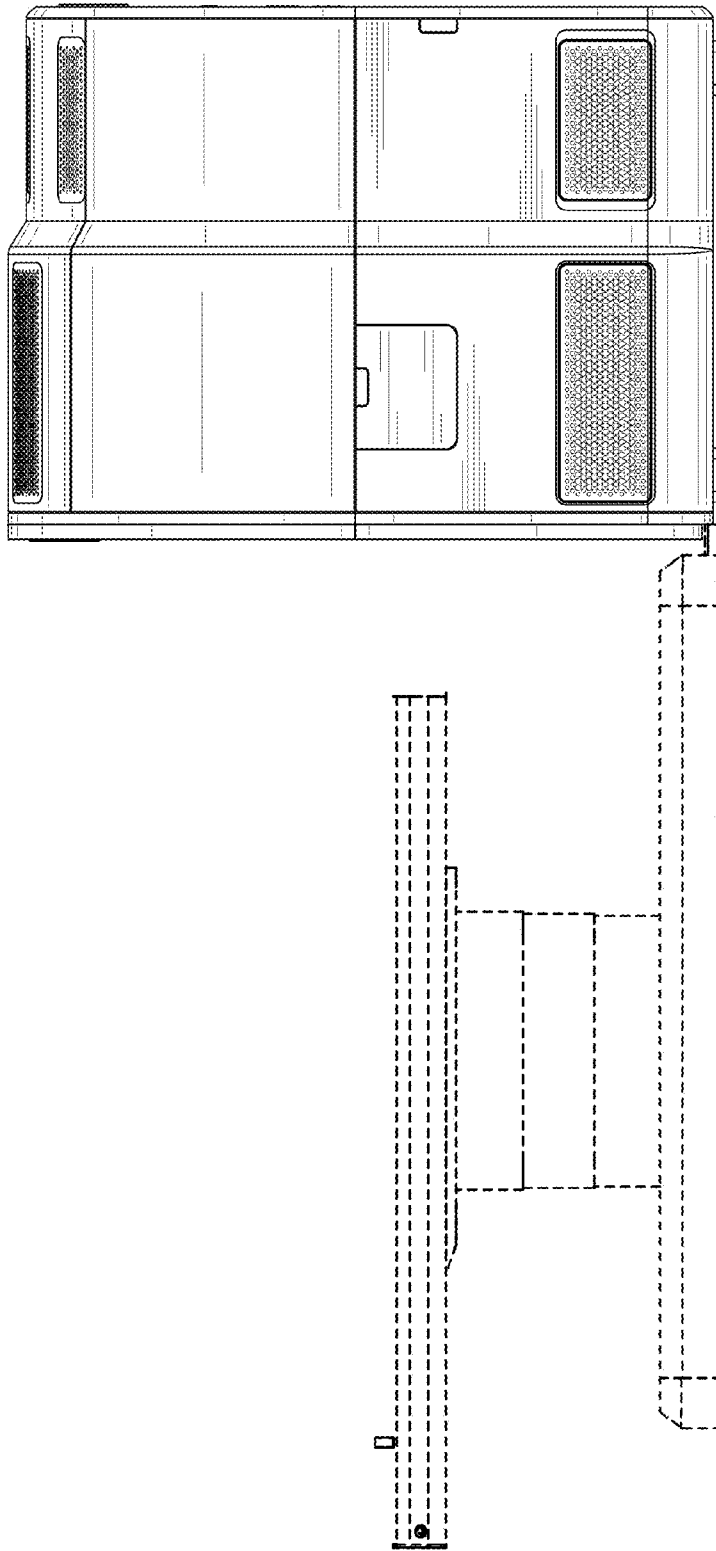
FIG. 1



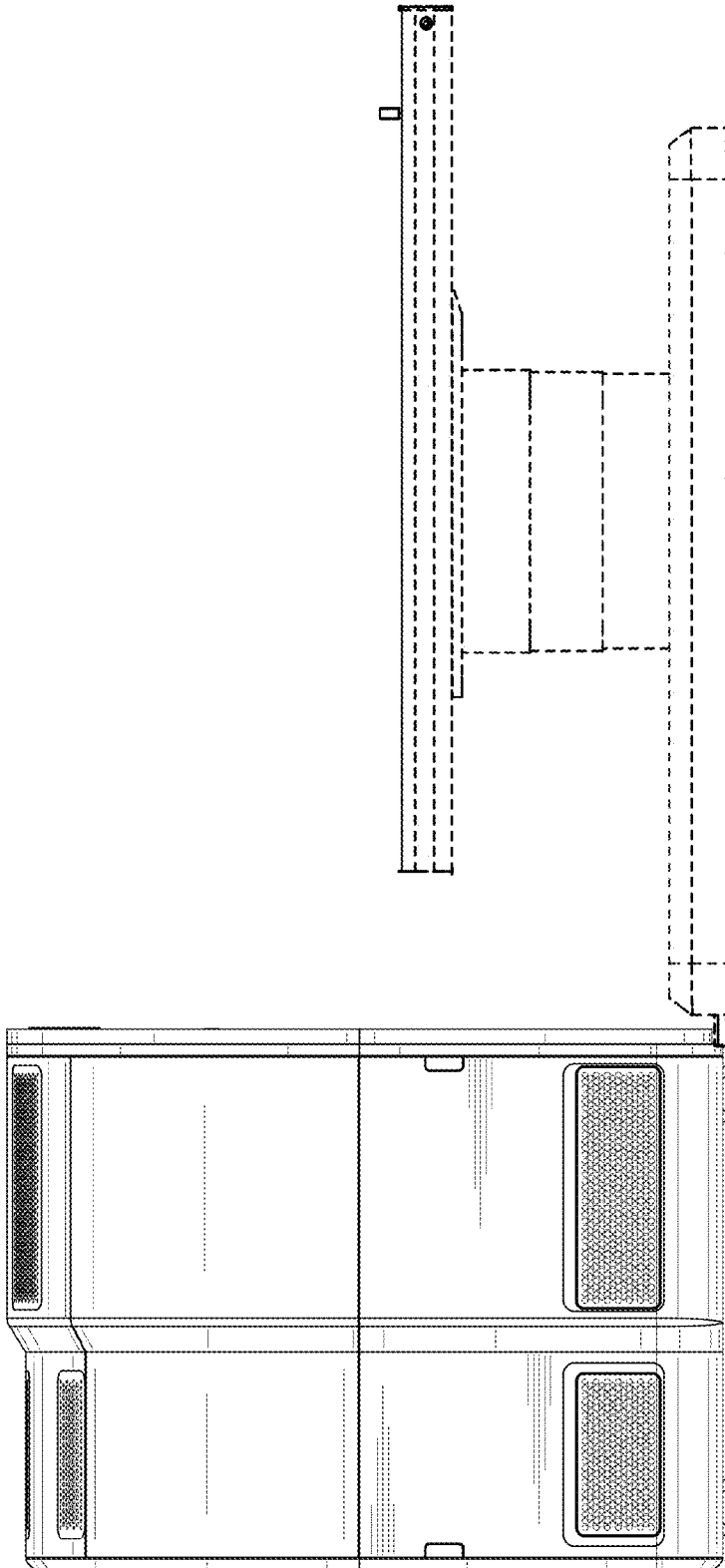
**FIG. 2**



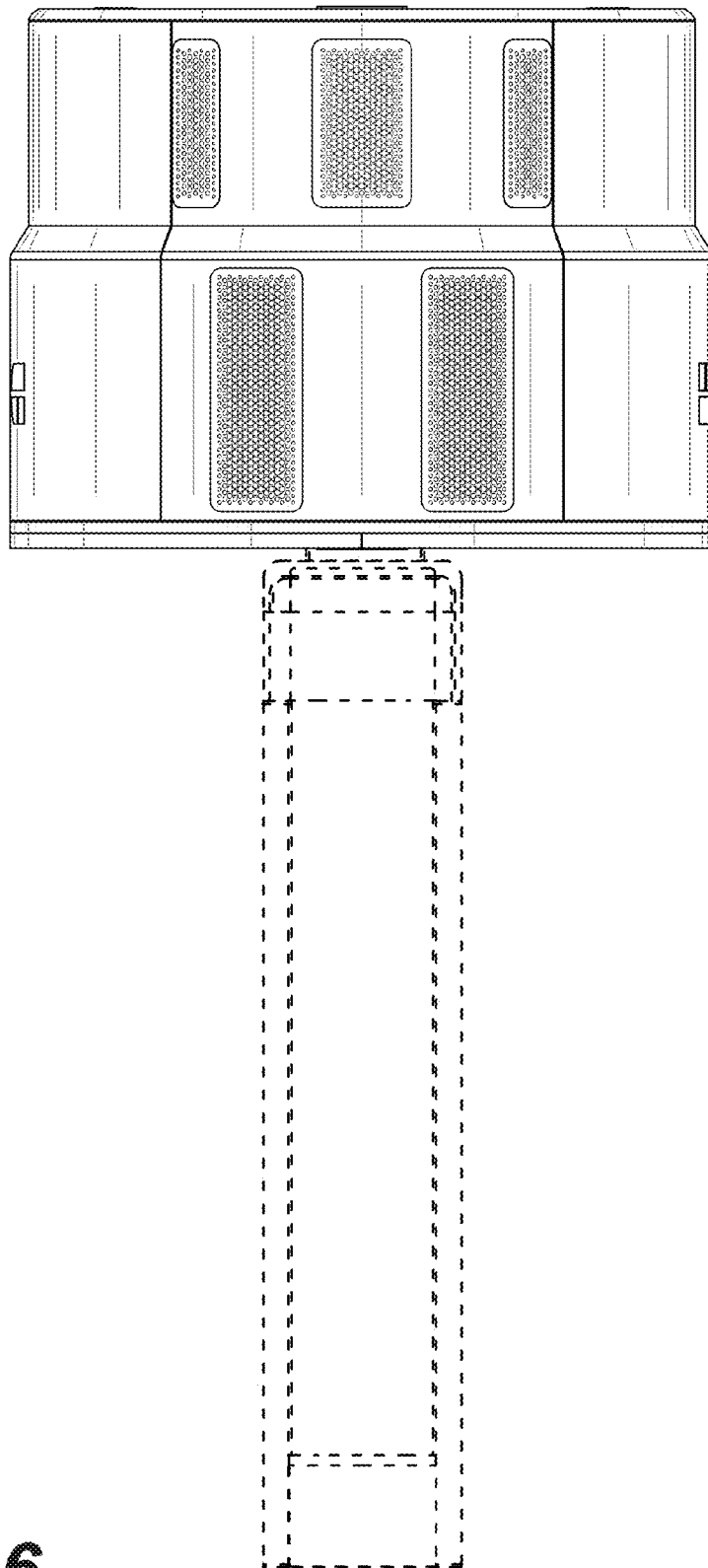
**FIG. 3**



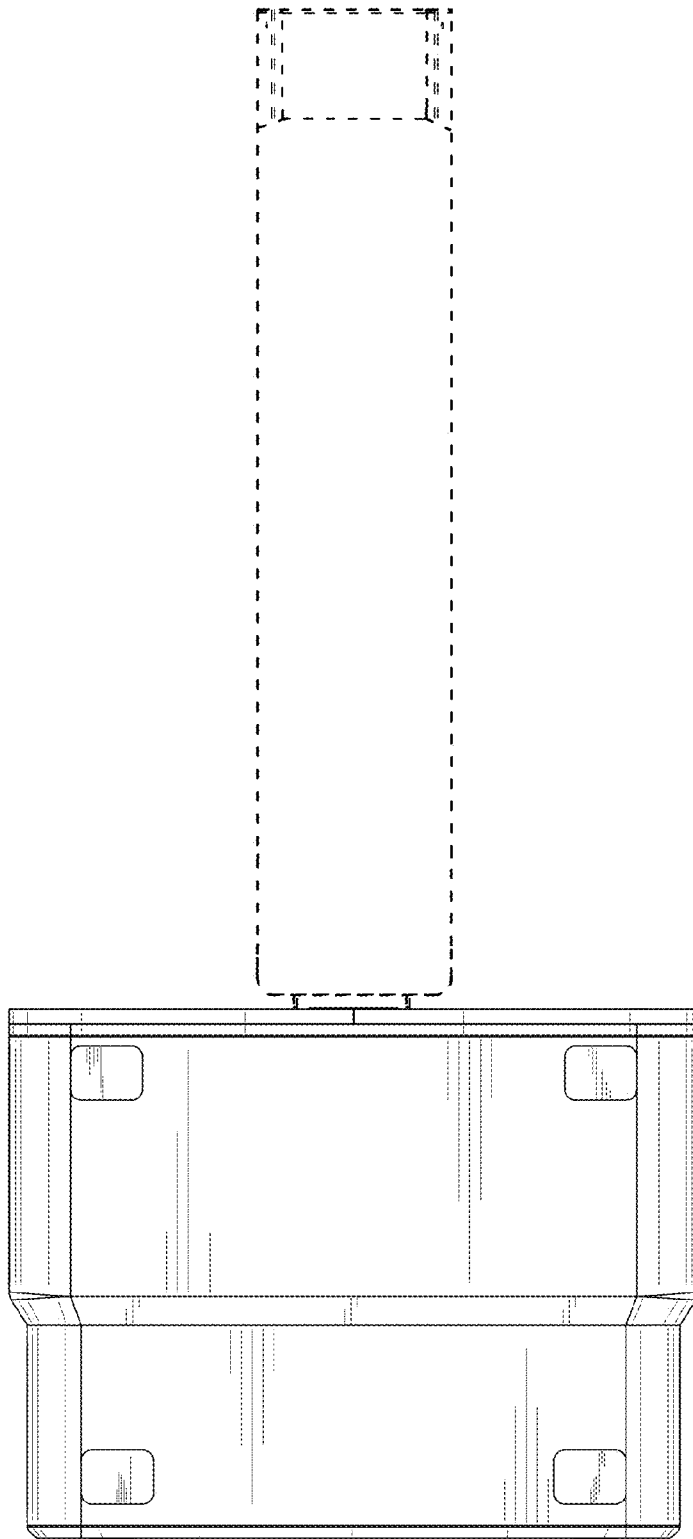
**FIG. 4**



**FIG. 5**



**FIG. 6**



**FIG. 7**