



(51) International Patent Classification:

A61B 17/80 (2006.01) A61B 17/86 (2006.01)  
A61B 17/88 (2006.01)

(21) International Application Number:

PCT/IB2019/054156

(22) International Filing Date:

20 May 2019 (20.05.2019)

(25) Filing Language:

English

(26) Publication Language:

English

(30) Priority Data:

15/995,924 01 June 2018 (01.06.2018) US

(71) Applicant: **DEPUY SYNTHES PRODUCTS, INC.**  
[US/US]; 325 Paramount Drive, Raynham, Massachusetts  
02767 (US).

(72) Inventors: **MIKHAIL, George**; 1301 Goshen Parkway,  
West Chester, Pennsylvania 19380 (US). **VU, Binh Bao**;  
1301 Goshen Parkway, West Chester, Pennsylvania 19380  
(US).

(74) Agent: **SHIRTZ, Joseph F.** et al.; Johnson & Johnson,  
One Johnson & Johnson Plaza, New Brunswick, New Jer-  
sey 08933 (US).

(81) Designated States (unless otherwise indicated, for every  
kind of national protection available): AE, AG, AL, AM,  
AO, AT, AU, AZ, BA, BB, BG, BH, BN, BR, BW, BY, BZ,  
CA, CH, CL, CN, CO, CR, CU, CZ, DE, DJ, DK, DM, DO,

DZ, EC, EE, EG, ES, FI, GB, GD, GE, GH, GM, GT, HN,  
HR, HU, ID, IL, IN, IR, IS, JO, JP, KE, KG, KH, KN, KP,  
KR, KW, KZ, LA, LC, LK, LR, LS, LU, LY, MA, MD, ME,  
MG, MK, MN, MW, MX, MY, MZ, NA, NG, NI, NO, NZ,  
OM, PA, PE, PG, PH, PL, PT, QA, RO, RS, RU, RW, SA,  
SC, SD, SE, SG, SK, SL, SM, ST, SV, SY, TH, TJ, TM, TN,  
TR, TT, TZ, UA, UG, US, UZ, VC, VN, ZA, ZM, ZW.

(84) Designated States (unless otherwise indicated, for every  
kind of regional protection available): ARIPO (BW, GH,  
GM, KE, LR, LS, MW, MZ, NA, RW, SD, SL, ST, SZ, TZ,  
UG, ZM, ZW), Eurasian (AM, AZ, BY, KG, KZ, RU, TJ,  
TM), European (AL, AT, BE, BG, CH, CY, CZ, DE, DK,  
EE, ES, FI, FR, GB, GR, HR, HU, IE, IS, IT, LT, LU, LV,  
MC, MK, MT, NL, NO, PL, PT, RO, RS, SE, SI, SK, SM,  
TR), OAPI (BF, BJ, CF, CG, CI, CM, GA, GN, GQ, GW,  
KM, ML, MR, NE, SN, TD, TG).

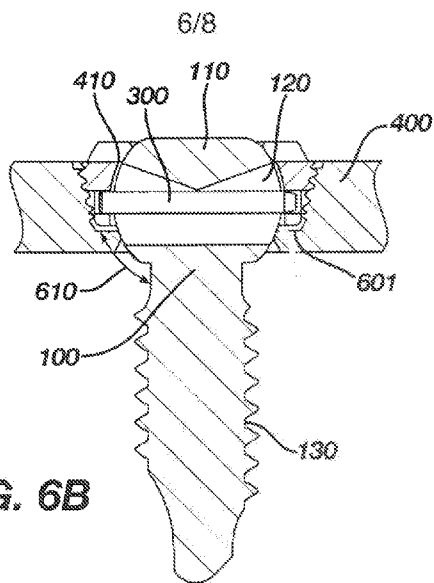
**Declarations under Rule 4.17:**

- as to applicant's entitlement to apply for and be granted a patent (Rule 4.17(ii))
- as to the applicant's entitlement to claim the priority of the earlier application (Rule 4.17(iii))

**Published:**

- with international search report (Art. 21(3))
- in black and white; the international application as filed contained color or greyscale and is available for download from PATENTSCOPE

(54) Title: VARIABLE ANGLE BONE FIXATION DEVICE



**FIG. 6B**

(57) Abstract: A bone fixation system including a bone fixation element (100) including a head portion (110) having a bore (120) passing therethrough from a first side surface (111) to a second side surface (112), wherein the bore is perpendicular to a longitudinal axis of the bone fixation element, a securing element (300) positioned within the bore, and a bone plate (400) extending along a plate axis and having a threaded plate hole (410) extending therethrough from a first surface to a second surface configured to contact a bone in an operative configuration.



## VARIABLE ANGLE BONE FIXATION DEVICE

### TECHNICAL FIELD

[0001] Various exemplary embodiments disclosed herein relate generally to a variable angle bone fixation system including a bone fixation element, a securing element and a bone fixation device.

### BACKGROUND

[0002] Bone fixation plates are often positioned over a fractured or otherwise damaged portion of bone and secured thereto using bone screws inserted through screw holes of the bone fixation plate. The screw holes extend transversely through the bone plate and are sometimes formed with threads to lockingly engage a head of the bone screw. Variable angle screws may be employed which permit a user to insert the screw through the plate at a user-selected angle relative to an axis of the plate hole. However, available variable angle screw systems may produce burrs when the screw head is locked in the plate hole. The burrs mostly arise in systems larger than 3.5 mm and when the screw is angulated relative to the plate hole. In angulated positions, the sharp edges of the plate hole thread act as a die and generate burrs from the screw head thread. Damage to the bone plate or bone screw in this manner is undesirable.

### SUMMARY OF EXEMPLARY EMBODIMENTS

[0003] A brief summary of various embodiments is presented below. Embodiments address the need to secure a bone plate using a variable angle fixation system.

[0004] Some simplifications and omissions may be made in the following summary, which is intended to highlight and introduce some aspects of the various exemplary embodiments, but not to limit the scope of the invention. Detailed descriptions of a preferred exemplary embodiment adequate to allow those of ordinary skill in the art to make and use the inventive concepts will follow in later sections.

[0005] Various embodiments relate to a bone fixation element including a head portion including a first side surface and a second side surface opposite the first side surface, wherein the first side surface and the second side surface are shaped to allow for variable angle rotation of the bone fixation element, a bore passing through from the first side surface to the second side surface, wherein the bore is perpendicular to a longitudinal axis of the bone fixation element, and a shaft extending along the longitudinal axis of the bone fixation element from a proximal end to a distal end.

[0006] Various embodiments relate to a bone fixation system including a bone fixation element including a head portion including a first side surface and a second side surface opposite the first side surface, wherein the first side surface and the second side surface are shaped to allow for variable angle rotation of the bone fixation element, a bore passing

through from the first side surface to the second side surface, wherein the bore is perpendicular to a longitudinal axis of the bone fixation element, and a shaft extending along the longitudinal axis of the bone fixation element from a proximal end to a distal end, and a securing element positioned within the bore wherein the bore and securing element are configured to allow for joint-like rotation of the bone fixation element.

[0007] Various embodiments relate to a bone fixation system including a bone fixation element including a head portion including a first side surface and a second side surface opposite the first side surface, wherein the first side surface and the second side surface are shaped to allow for variable angle rotation of the bone fixation element, a bore passing through from the first side surface to the second side surface, wherein the bore is perpendicular to a longitudinal axis of the bone fixation element, and a shaft extending along the longitudinal axis of the bone fixation element from a proximal end to a distal end, a securing element positioned within the bore, and a bone plate extending along a plate axis having a threaded plate hole extending therethrough from a top surface to a bottom surface configured to contact a bone in an operative configuration, wherein the bore and securing element are configured to allow for insertion of the bone fixation element at a plurality of angles relative to the bone plate. In various embodiments, the threaded plate hole contains dulled edges. In various embodiments, the plurality of angles includes any angle within a range of 15 degrees relative to an axis normal to the bottom surface of the bone plate.

[0008] In various embodiments, the securing element may be a cylindrical pin.

[0009] In various embodiments, the first side surface and second side surface of the head portion of the bone fixation element both have a rounded shape.

[0010] In various embodiments, the bore includes at least one angled side.

[0011] In various embodiments, the system further includes a nut configured to fix the bone fixation element to the bone plate. The nut may include a threaded exterior surface configured to interface with the threaded plate hole. In various embodiments, the head portion of the bone fixation element sits within the nut.

#### BRIEF DESCRIPTION OF THE DRAWINGS

[0012] The accompanying figures, where like reference numerals refer to identical or functionally similar elements throughout the separate views, together with the detailed description below, are incorporated in and form part of the specification, and serve to further illustrate embodiments of concepts that include the claimed invention, and explain various principles and advantages of those embodiments.

[0013] These and other more detailed and specific features of the invention are more fully disclosed in the following specification, reference being had to the accompanying drawings, in which:

[0014] FIGS. 1A and 1B illustrate side views of one embodiment of the bone fixation element.

[0015] FIG. 1C illustrates a cross-sectional side view of one embodiment of the bone fixation element.

[0016] FIG. 1D illustrates a cross-sectional top view of one embodiment of the bone fixation element.

[0017] FIG. 1E illustrates a top view of one embodiment of the bone fixation element.

[0018] FIG. 2A illustrates a perspective view of one embodiment of a drive nut.

[0019] FIG. 2B illustrates a top view of one embodiment of a drive nut.

[0020] FIG. 2C illustrates a side view of one embodiment of a drive nut.

[0021] FIG. 2D illustrates a bottom view of one embodiment of a drive nut.

[0022] FIG. 3 illustrates a side view of one embodiment of a securing element.

[0023] FIG. 4A illustrate a top view of one embodiment of a bone plate.

[0024] FIG. 4B illustrates a cross-sectional side view of one embodiment of a threaded plate hole.

[0025] FIGS. 5A and 5B illustrate a perspective and side view, respectively of one embodiment of a drive tool.

[0026] FIG. 5C illustrates a side view of one embodiment of a tool handle used to engage the drive tool shown in FIGS. 5A and 5B.

[0027] FIG. 6A illustrates a perspective view of one embodiment of the bone plate system.

[0028] FIG. 6B and 6C illustrate cross-sectional side views of an embodiment of the bone plate system.

[0029] FIG. 7A illustrates a perspective view of another embodiment of the bone plate system.

[0030] FIG. 7B illustrates a cross-sectional perspective view of another embodiment of the bone plate system.

[0031] Skilled artisans will appreciate that elements in the figures are illustrated for simplicity and clarity and have not necessarily been drawn to scale. For example, the dimensions of some of the elements in the figures may be exaggerated relative to other elements to help to improve understanding of embodiments of the invention.

[0032] The apparatus and method components have been represented where appropriate by conventional symbols in the drawings, showing only those specific details that are pertinent to understanding the embodiments of the present disclosure so as not to obscure the disclosure with details that will be readily apparent to those of ordinary skill in the art having the benefit of the description herein.

#### DETAILED DESCRIPTION OF THE EXEMPLARY EMBODIMENTS

[0033] It should be understood that the figures are merely schematic and are not drawn to scale. It should also be understood that the same reference numerals are used throughout the figures to indicate the same or similar parts.

[0034] The descriptions and drawings illustrate the principles of various example embodiments. It will thus be appreciated that those skilled in the art will be able to devise various arrangements that, although not explicitly described or shown herein, embody the principles of the invention and are included within its scope. Furthermore, all examples recited herein are principally intended expressly to be for pedagogical purposes to aid the reader in understanding the principles of the invention and the concepts contributed by the inventor(s) to furthering the art and are to be construed as being without limitation to such specifically recited examples and conditions. The various embodiments described herein are not necessarily mutually exclusive, as some embodiments can be combined with one or more other embodiments to form new embodiments. Additionally, the term, “or,” as used herein, refers to a non-exclusive or (i.e., and/or), unless otherwise indicated (e.g., “or else” or “or in the alternative”). Descriptors such as “first,” “second,” “third,” etc., are not meant to limit the order of elements discussed, are used to distinguish one element from the next, and are generally interchangeable. The terms “proximal” and “distal,” as used herein, are intended to refer to a direction toward (proximal) and away from (distal) a user of the system.

[0035] Embodiments of a bone fixation element 100 and bone fixation system 700 are described below. The bone fixation element 100 may be in the form of a bone screw that is inserted through a bone fixation device 400 to stabilize a fracture or otherwise damaged bone as part of a bone fixation system 700. The bone fixation element 100 includes a screw head 110

that is configured to interact with a drive nut 200, and also includes an elongated shaft 130. The screw head 110 contains a bore 120 that passes through the screw head 110 from a first side surface 111 to a second side surface 112, wherein the bore is perpendicular to a longitudinal axis of the bone fixation element 100. The bore 120 may be configured to have at least one angled side 121. A securing element 300 may be inserted into the bore 120 that passes through the screw head 110 to stabilize the screw head 110 at variable angles in a threaded plate hole 410 of the bone fixation device 400. More specifically, the securing element 300 sits within the bore 120 and allows for variable angle rotation of the bone fixation element 100 within the threaded plate hole 410. The angle of rotation of the bone fixation element 100 with respect to the threaded plate hole 410 may include any angle within a range of 15 degrees relative to an axis normal to the lower surface of the plate.

[0036] In some embodiments, the threaded plate hole 410 includes dull edges which prevents the generation of burrs.

[0037] FIGS. 1A-1D illustrate a bone fixation element 100. The bone fixation element 100 extends longitudinally from a proximal end 101 including a screw head 110 along an elongated shaft 130 to a distal end 102. In an exemplary embodiment, a first side surface 111 and a second side surface 112 of the screw head 110 are substantially rounded to permit variable angle rotation of the bone fixation element 100, as will be described in greater detail herein. In some embodiments, the top surface of the screw head may be flat. It is noted, however, that

the screw head 110 may be formed in any shape that would allow for variable angle insertion of the bone fixation element 100.

[0038] As illustrated in FIG. 1C, the screw head 110 contains a bore 120 that passes through the screw head 110 from a first surface 111 to a second surface 112. The bore 120 may be configured to have at least one angled side 121. In some embodiments, the angled side 121 may include a first slope extending downward from the first surface 111 and a second slope opposite the first slope extending downward from the second surface 112 wherein the two slopes meet at a vertex in the center of the angled side. The two slopes may extend at about a 20 degree angle from the axis of the bore 120 starting at the vertex. In some embodiments, the side of the bore 120 opposite the angled side 121 is flat. In other embodiments, the bore 120 may include a second angled side opposite angled side 121. It is noted that the bore 120 may be formed into any shape that would allow for variable angle insertion of the bone fixation element 100 into the bone fixation system 700. The bore 120 is configured to accommodate a securing element 300 that stabilizes the bone fixation element 100 at a variable angle with respect to a threaded plate hole 410 of a bone fixation device 400.

[0039] The elongated shaft 130 is provided with threading 131. The threading 131 of the shaft 130 may be formed with two leads, as those skilled in the art will understand. The multi-lead configuration of the threading 131 aids in linear advancement of the bone fixation element 100 into the bone, as those skilled in the art will understand. As would be understood

by those skilled in the art, the length of the shaft 130 is generally selected to conform to requirements of a target procedure. A distal portion of the shaft 130 may comprise one or more notches 132 configured to create a gap in the continuity of the threads 131 and permit self-tapping of the bone fixation element 100, as those skilled in the art will understand. The distal portion of the shaft 130 may taper to a smaller diameter at the distal end 102 to, for example, aid in insertion. The distal end 102 may be sharpened or blunt as desired.

[0040] FIGS. 2A-2D illustrate a drive nut 200. The drive nut 200 includes a hollow cylinder 210 having external threads 220 formed into or extending from an exterior surface 211 of the hollow cylinder 210. These threads 220 are adapted to interface with threads formed into or extending from an interior surface 411 of a threaded plate hole 410. The hollow cylinder 210 also includes a top surface 230, opposite a bottom surface 240. The hollow cylinder 210 includes at least one groove on the top surface 230 configured to mate with protrusions on the distal end of a driving tool. In the exemplary embodiment, the hollow cylinder 210 includes grooves 231, 232, 233, 234 configured to permit engagement with a distal end 501 of a driving tool 500.

[0041] As shown in FIGS. 2C and 2D, the drive nut 200 additionally contains a first bore 250 that extends from the exterior surface 211 to an interior surface 212 of the hollow cylinder 210 and an opposing second bore 251 that extends from the exterior surface 211 of the hollow cylinder 210 to an interior surface 212 of the hollow cylinder 210 opposite the first

bore 250. The first bore 250 and second bore 251 are configured to accommodate a securing element 300. The interior surface 212 of the drive nut 200 may be contoured to have a rounded shape to intimately mate with the first side surface 111 and second side surface 112 of the screw head 110. It is noted that the interior surface 212 of the drive nut 200 may be contoured in any other shape that would allow for variable angle insertion of the bone fixation element 100 and locking of the bone fixation element 100.

[0042] FIG. 3 illustrates a securing element 300. In this embodiment, the securing element 300 is a cylindrical pin. The pin contains an elongated cylinder 310 with a tapered end piece 311. It is noted, however, that the securing element 300 may be formed in any shape that would allow for variable angle insertion of the bone fixation element 100 into the bone fixation system 700. The securing element 300 is configured to be of a sufficient length to extend through bore 120 of the screw head 110 and bores 250, 251 of the drive nut 200 to meet an interior surface 411 of a threaded plate hole 410, shown in FIG. 4A.

[0043] FIG. 4A illustrates a bone fixation device 400. The bone fixation device 400 may be in the form of a bone plate. The bone fixation device 400 contains at least one plate hole 410, which contains threading 420 extending from the interior surface 411 of the plate hole 410. The threading 420 is configured to interface with the threading 220 on the drive nut 200, as shown in FIG. 4B. The plate hole 410 may be shaped to accommodate variable angle insertion of the bone fixation element 100.

[0044] FIGS. 5A-5B illustrates a drive tool 500. The drive tool 500 contains a lower portion 510 at a distal end 501 and an upper portion 520 at a proximal end 502. The lower portion may have a cylindrical shape. The upper portion 520 may have a hexagonal shape. It is noted, however, that the lower portion 510 and upper portion 520 may be formed in any other shape. The distal end 501 of the drive tool 500 may contain at least one protrusion configured to mate with a groove or grooves located on the top surface 230 of the drive nut 200. In the exemplary embodiment, the distal end 501 of the drive tool 500 contains a plurality of protrusions 530 configured to mate with the grooves 231, 232, 233, 234 on the top surface 230 of the drive nut 200.

[0045] In the exemplary embodiments of FIGS 5A and 5B, the width of the upper portion 520 is greater than the diameter of the lower portion 510. The upper portion 520 may contain a through hole 540 configured to accommodate a tool handle 550, which is shown in FIG. 5C. In the exemplary embodiment, the tool handle 550 has a cylindrical shape and is configured to be inserted into the through hole 540 to help provide torque when driving the drive nut 200 and bone fixation element 100 into the bone fixation device 400. It is noted, however, that the through hole 540 and tool handle 550 may be configured in any other shape that would help provide the required amount of torque for driving the drive nut 200 and the bone fixation element 100 into the bone fixation device 400.

[0046] FIGS. 6A-6C illustrate a bone plate system 600 showing the positioning of the securing element 300 within the bore 120 that passes through the spherical screw head 110 of the bone fixation element 100. Also shown is the positioning of the securing element 300 with respect to the interior surface 411 of the threaded plate hole 410 of the bone plate 400. FIGS. 6B and 6C illustrate in more detail the positioning of the securing element 300 within the bore 120 of the bone fixation element 100 at a first angle 610 and a second angle 620.

[0047] FIG. 7A illustrates a perspective view of a bone fixation system 700 showing the engagement of the drive nut 200 by the drive tool 500 and tool handle 550. As shown in FIG. 7A, the spherical screw head 110 sits within the drive nut 200. When the drive nut 200 is driven down into the threaded plate hole 410 of the bone fixation device 400 by the drive tool 500, the portion of the drive nut 200 that surrounds the outer surface of the screw head 110 presses down on the screw head 110, as well as the securing element 300 that passes through the screw head 110 and drive nut 200 to secure the bone fixation element 100 at a variable angle in the bone of a patient.

[0048] FIG. 7B illustrates a cross-sectional perspective view of the bone fixation system 700 showing the positioning of the securing element 300 within the bore 120 at variable angles within the threaded plate hole 410 of the bone fixation device 400. As shown in the exemplary embodiment, the securing element 300 remains parallel to the plane of the bone plate 400 and may be positioned to rest completely on a flat side of the bore 120 in a vertical insertion

configuration of the bone fixation element 100, or may partially sit against an angled side of the bore 120 in an angled insertion configuration of the bone fixation element 100.

[0049] In an operative configuration, the bone fixation element 100 is first coupled with the drive nut 200, and the securing element 300 is inserted through the bores 250, 120, 251. The bone fixation element 100 is then positioned at a desired variable angle and the combination of the bone fixation element, drive nut 200 and securing element 300 are inserted into the threaded plate hole 410. The protrusions on the distal end 501 of the driving tool 500 engage the grooves on the drive nut 200. As the driving tool 500 is turned using the tool handle 550, the threaded exterior surface 211 of the drive nut 200 engages the threads 420 on the plate hole 410. As the drive nut 200 is secured to the threaded plate hole 410, the drive nut 200 presses down on the screw head 110 and securing element 300, fixing the bone fixation element 100 at a desired variable angle. As those skilled in the art will understand, a physician or other user may select a desired angle of insertion to conform to the requirements of a particular procedure. The additional stability provided by the securing element 300 as well as the dulled edges of the threads contained in the threaded plate hole 410 prevents the generation of burrs.

[0050] Accordingly, it is to be understood that the above description is intended to be illustrative and not restrictive. Many embodiments and applications other than the examples provided would be apparent upon reading the above description. The scope should be

determined, not with reference to the above description or Abstract below, but should instead be determined with reference to the appended claims, along with the full scope of equivalents to which such claims are entitled. It is anticipated and intended that future developments will occur in the technologies discussed herein, and that the disclosed systems and methods will be incorporated into such future embodiments. In sum, it should be understood that the application is capable of modification and variation.

[0051] The benefits, advantages, solutions to problems, and any element(s) that may cause any benefit, advantage, or solution to occur or become more pronounced are not to be construed as a critical, required, or essential features or elements of any or all the claims. The invention is defined solely by the appended claims including any amendments made during the pendency of this application and all equivalents of those claims as issued.

[0052] Moreover in this document, relational terms such as first and second, top and bottom, and the like may be used solely to distinguish one entity or action from another entity or action without necessarily requiring or implying any actual such relationship or order between such entities or actions. The terms “comprises,” “comprising,” “has,” “having,” “includes,” “including,” “contains,” “containing” or any other variation thereof, are intended to cover a non-exclusive inclusion, such that a process, method, article, or apparatus that comprises, has, includes, contains a list of elements does not include only those elements but may include other elements not expressly listed or inherent to such process, method, article,

or apparatus. An element preceded by “comprises ...a,” “has ...a,” “includes ...a,” or “contains ...a” does not, without more constraints, preclude the existence of additional identical elements in the process, method, article, or apparatus that comprises, has, includes, contains the element. The terms “a” and “an” are defined as one or more unless explicitly stated otherwise herein. The terms “substantially,” “essentially,” “approximately,” “about” or any other version thereof, are defined as being close to as understood by one of ordinary skill in the art, and in one non-limiting embodiment the term is defined to be within 10%, in another embodiment within 5%, in another embodiment within 1% and in another embodiment within 0.5%. The term “coupled” as used herein is defined as connected, although not necessarily directly and not necessarily mechanically. A device or structure that is “configured” in a certain way is configured in at least that way, but may also be configured in ways that are not listed.

[0053] The Abstract of the Disclosure is provided to allow the reader to quickly ascertain the nature of the technical disclosure. It is submitted with the understanding that it will not be used to interpret or limit the scope or meaning of the claims. In addition, in the foregoing Detailed Description, it can be seen that various features are grouped together in various embodiments for the purpose of streamlining the disclosure. This method of disclosure is not to be interpreted as reflecting an intention that the claimed embodiments require more features than are expressly recited in each claim. Rather, as the following claims reflect,

inventive subject matter lies in less than all features of a single disclosed embodiment. Thus the following claims are hereby incorporated into the Detailed Description, with each claim standing on its own as a separately claimed subject matter.

What is claimed is:

1. A bone fixation element comprising:

a shaft extending along a longitudinal axis of the bone fixation element from a proximal portion to a distal portion; and

a head portion comprising

a first side surface and a second side surface opposite the first side surface, wherein the first side surface and the second side surface are shaped to allow for variable angle rotation of the bone fixation element; and

a bore passing through from the first side surface to the second side surface, wherein the bore is perpendicular to the longitudinal axis of the bone fixation element; and

2. The bone fixation element of claim 1, wherein the bore comprises at least one angled side.

3. The bone fixation element of claim 2, wherein the bore comprises two angled sides.

4. The bone fixation element of claim 2, wherein the bore comprises one angled side and one flat side.

5. The bone fixation element of claim 1, wherein the first side surface and the second side surface have a rounded shape.

6. A bone fixation system comprising:

a bone fixation element comprising:

a shaft extending along a longitudinal axis of the bone fixation element from a proximal end to a distal end; and

a head portion comprising:

a first side surface and a second side surface opposite the first side surface, wherein the first side surface and the second side surface are shaped to allow for variable angle rotation of the bone fixation element; and

a bore passing through from the first side surface to the second side surface, wherein the bore is perpendicular to a longitudinal axis of the bone fixation element; and

a securing element positioned within the bore;

wherein the bore and securing element are configured to allow for joint-like rotation of the bone fixation element.

7. The bone fixation system of claim 6, wherein the bore comprises at least one angled side.

8. The bone fixation system of claim 7, wherein the bore comprises two angled sides.

9. The bone fixation system of claim 7, wherein the bore comprises one angled side and one flat side.

10. The bone fixation system of claim 6, wherein the first side surface and the second side surface have a rounded shape.

11. The bone fixation system of claim 6, wherein the securing element is a pin.

12. The bone fixation system of claim 11, wherein the pin has a cylindrical shape.
13. The bone fixation system of claim 6, further comprising a bone fixation device.
14. The bone fixation system of claim 13, wherein the bone fixation device is a bone plate.
15. The bone fixation system of claim 13, wherein the bore and securing element are configured to allow for variable angle insertion of the bone fixation element into the bone, with respect to the bone fixation device.
16. A bone fixation system comprising:
  - a bone fixation element comprising:
    - a shaft extending along a longitudinal axis of the bone fixation element from a proximal end to a distal end; and
    - a head portion comprising:
      - a first side surface and a second side surface opposite the first side surface, wherein the first side surface and the second side surface are shaped to allow for variable angle rotation of the bone fixation element; and
      - a bore passing through from the first side surface to the second side surface, wherein the bore is perpendicular to a longitudinal axis of the bone fixation element; and
  - a securing element positioned within the bore; and
  - a bone plate extending along a plate axis and having a threaded plate hole extending therethrough from a top surface to a bottom surface configured to contact a bone in an operative configuration;

wherein the bore and securing element are configured to allow for insertion of the bone fixation element at a plurality of angles relative to the bone plate.

17. The bone fixation system of claim 16, wherein the threaded plate hole comprises dulled edges.

18. The bone fixation system of claim 16, wherein the bore includes at least one angled side.

19. The bone fixation system of claim 18, wherein the bore includes two angled sides.

20. The bone fixation system of claim 18, wherein the bore includes one angled side and one flat side.

21. The bone fixation system of claim 16, wherein the first side surface and the second side surface have a rounded shape

22. The bone fixation system of claim 16, wherein the securing element is a pin.

23. The bone fixation system of claim 22, wherein the pin has a cylindrical shape.

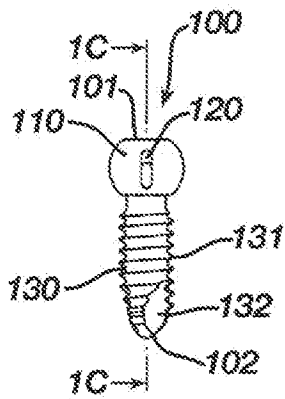
24. The bone fixation system of claim 16, wherein the system further comprises a nut configured to fix the bone fixation element to the bone plate.

25. The bone fixation system of claim 24, wherein the nut comprises a threaded exterior surface configured to interface with the threaded plate hole.

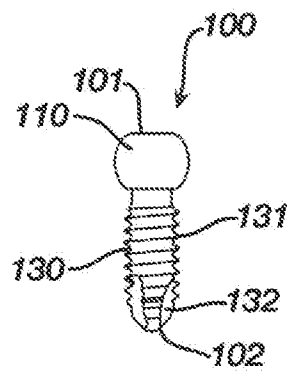
26. The bone fixation system of claim 24, wherein the head portion of the bone fixation element sits within the nut.

27. The bone fixation system of claim 24, wherein the nut further comprises a first bore that extends from an exterior surface to an interior surface of the nut and an opposing second bore that extends from an exterior surface to an interior surface of the nut opposite the first bore, wherein the first bore and second bore are configured to accommodate the securing element.

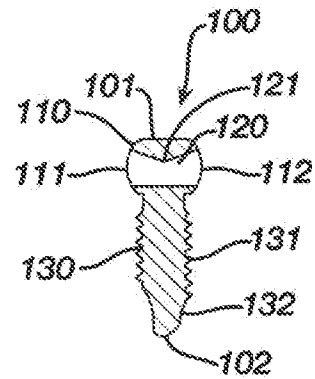
28. The bone fixation system of claim 16, wherein the plurality of angles comprises an angle within a range of 15 degrees relative to an axis normal to the bottom surface of the bone plate.



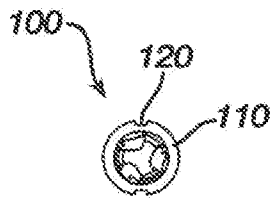
**FIG. 1A**



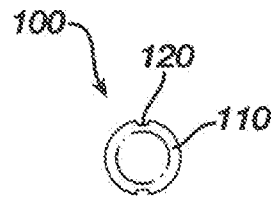
**FIG. 1B**



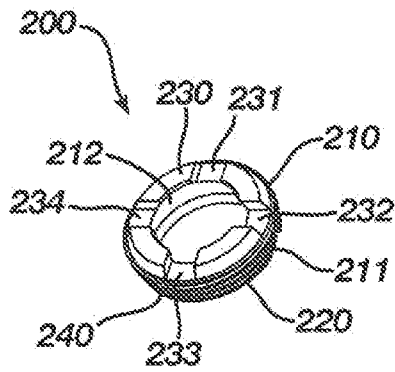
**FIG. 1C**



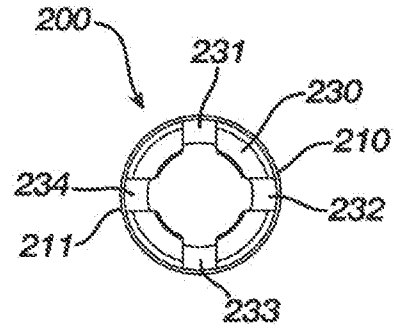
**FIG. 1D**



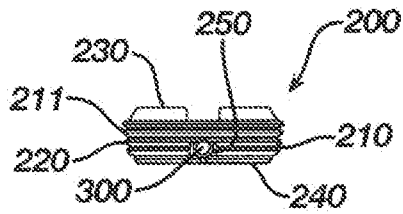
**FIG. 1E**



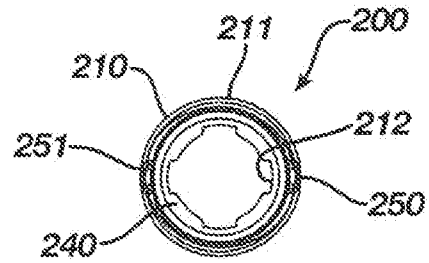
**FIG. 2A**



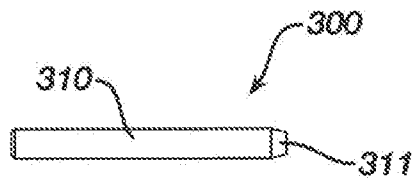
**FIG. 2B**



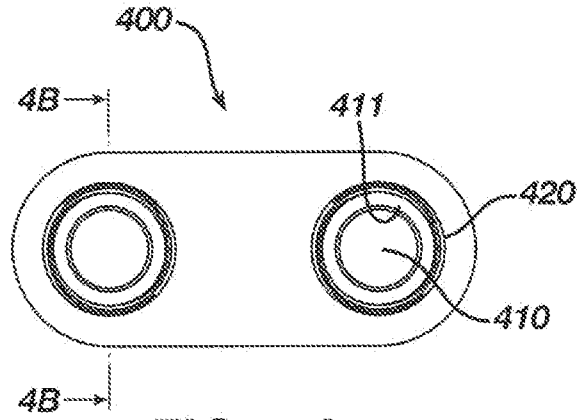
**FIG. 2C**



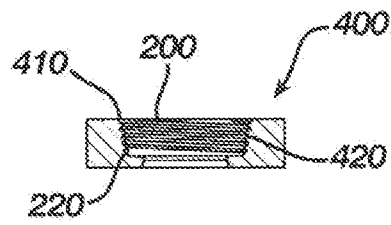
**FIG. 2D**



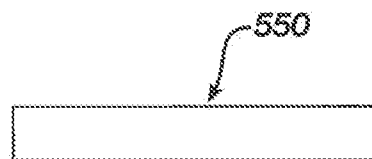
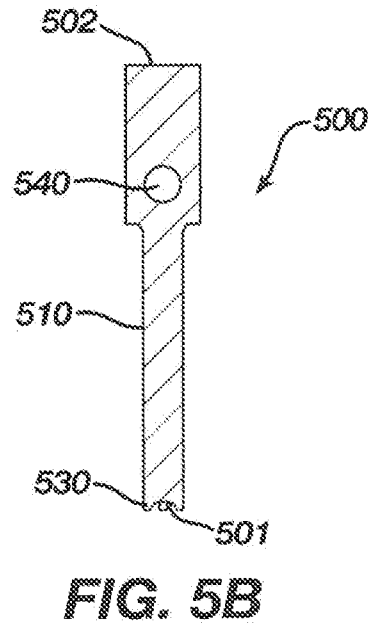
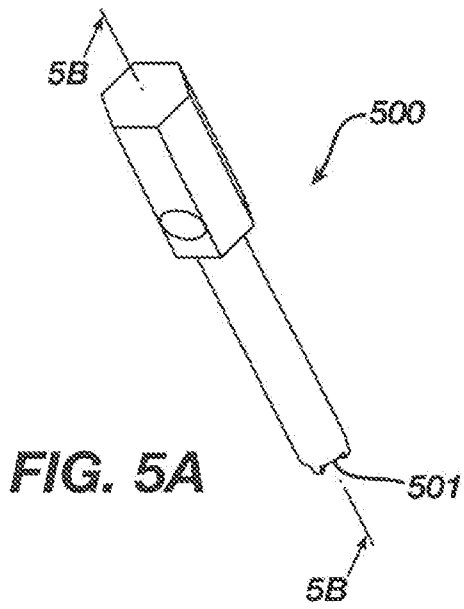
**FIG. 3**

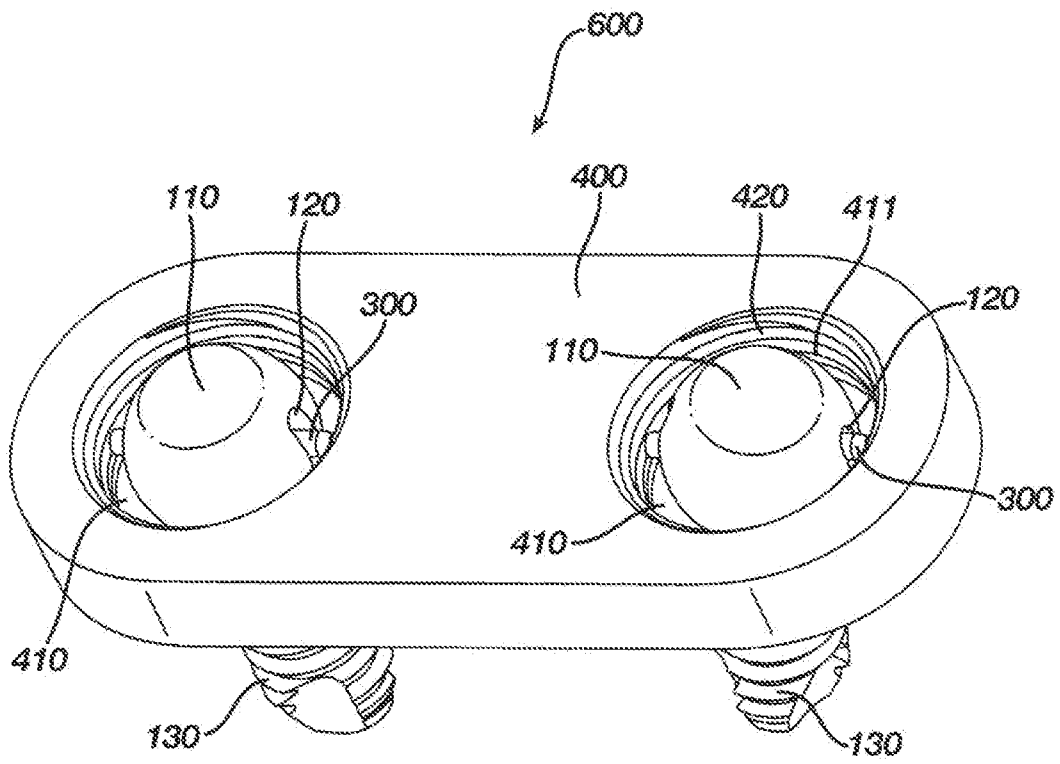


**FIG. 4A**

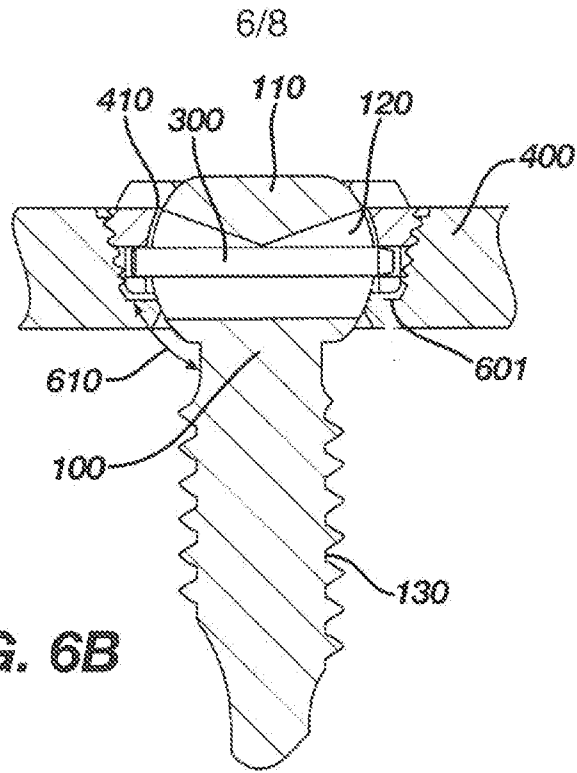


**FIG. 4B**

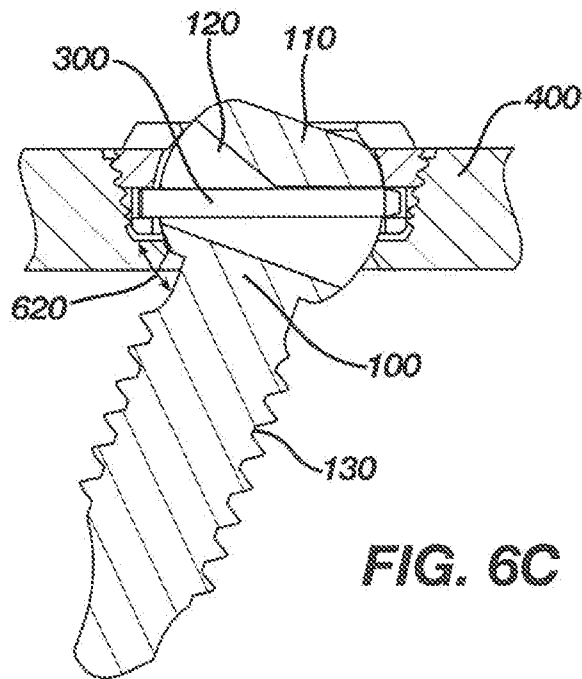




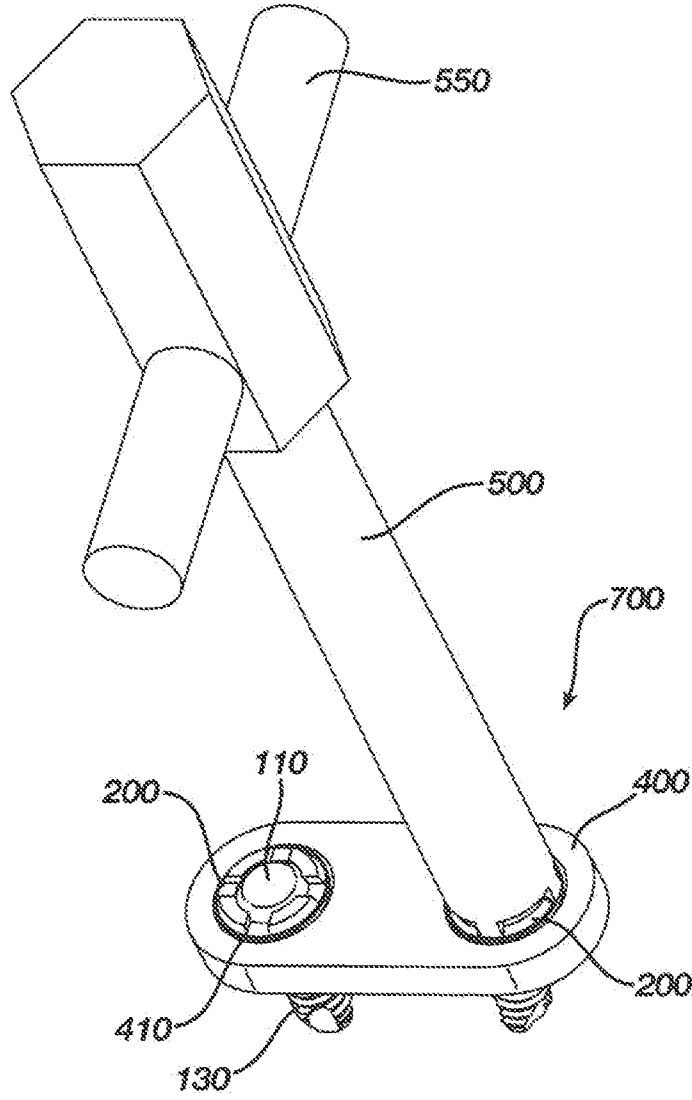
**FIG. 6A**



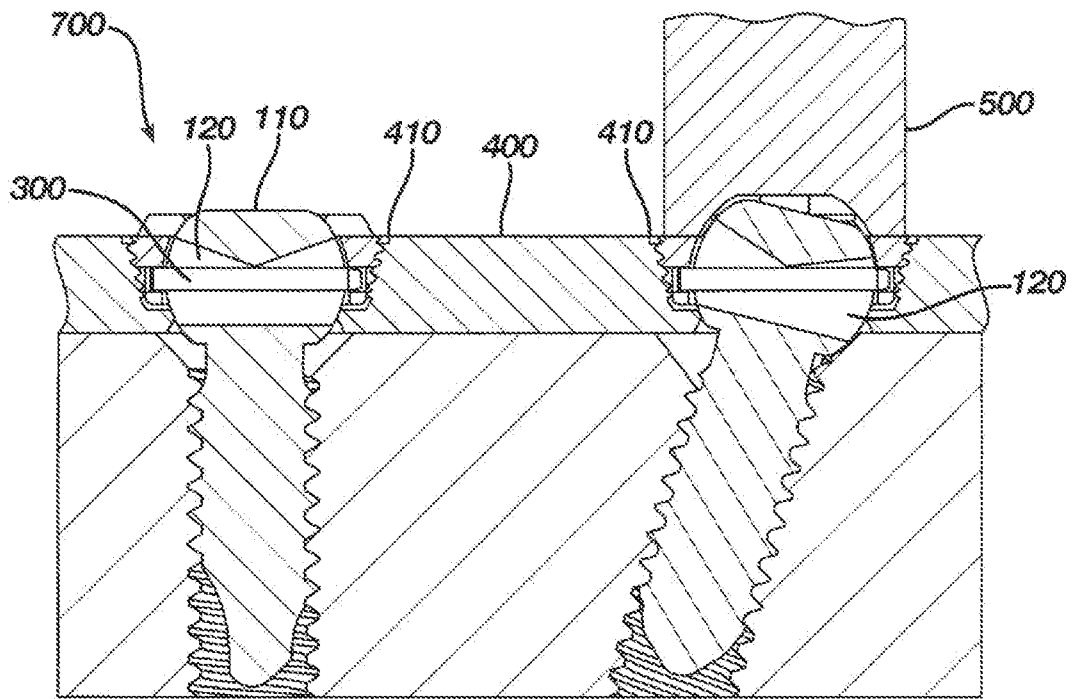
**FIG. 6B**



**FIG. 6C**



**FIG. 7A**



**FIG. 7B**

INTERNATIONAL SEARCH REPORT

International application No  
PCT/IB2019/054156

A. CLASSIFICATION OF SUBJECT MATTER  
INV. A61B17/80 A61B17/88 A61B17/86  
ADD.  
According to International Patent Classification (IPC) or to both national classification and IPC

B. FIELDS SEARCHED  
Minimum documentation searched (classification system followed by classification symbols)  
A61B

Documentation searched other than minimum documentation to the extent that such documents are included in the fields searched

Electronic data base consulted during the international search (name of data base and, where practicable, search terms used)  
EPO-Internal, WPI Data

C. DOCUMENTS CONSIDERED TO BE RELEVANT

Category*	Citation of document, with indication, where appropriate, of the relevant passages	Relevant to claim No.
X A	US 2008/177330 A1 (RALPH JAMES D [US] ET AL) 24 July 2008 (2008-07-24) paragraphs [0040] - [0047] figures 2, 3, 8-8B -----	1,5,6, 10-15 16, 21-23,28
X A	US 2012/136396 A1 (BAKER CHARLES R [US] ET AL) 31 May 2012 (2012-05-31) paragraph [0055] paragraphs [0077] - [0091] figures 6, 7, 12, 13 -----	1,5  6,10, 13-17,28
A	US 2013/060336 A1 (HOOPER BRUCE [US] ET AL) 7 March 2013 (2013-03-07)  paragraph [0034] paragraph [0038] figures 2, 9A, 9B -----  -/--	1,6,11, 13,16, 22,28

Further documents are listed in the continuation of Box C.

See patent family annex.

\* Special categories of cited documents :

"A" document defining the general state of the art which is not considered to be of particular relevance	"T" later document published after the international filing date or priority date and not in conflict with the application but cited to understand the principle or theory underlying the invention
"E" earlier application or patent but published on or after the international filing date	"X" document of particular relevance; the claimed invention cannot be considered novel or cannot be considered to involve an inventive step when the document is taken alone
"L" document which may throw doubts on priority claim(s) or which is cited to establish the publication date of another citation or other special reason (as specified)	"Y" document of particular relevance; the claimed invention cannot be considered to involve an inventive step when the document is combined with one or more other such documents, such combination being obvious to a person skilled in the art
"O" document referring to an oral disclosure, use, exhibition or other means	"&" document member of the same patent family
"P" document published prior to the international filing date but later than the priority date claimed	

Date of the actual completion of the international search  6 September 2019	Date of mailing of the international search report  17/09/2019
---	--

Name and mailing address of the ISA/ European Patent Office, P.B. 5818 Patentlaan 2 NL - 2280 HV Rijswijk Tel. (+31-70) 340-2040, Fax: (+31-70) 340-3016	Authorized officer  Kakoullis, Marios
--	---

# INTERNATIONAL SEARCH REPORT

International application No  
PCT/IB2019/054156

C(Continuation). DOCUMENTS CONSIDERED TO BE RELEVANT		
Category*	Citation of document, with indication, where appropriate, of the relevant passages	Relevant to claim No.
A	EP 2 932 927 A1 (BIEDERMANN TECHNOLOGIES GMBH [DE]) 21 October 2015 (2015-10-21) paragraph [0027] figure 3  -----	16,24-27

# INTERNATIONAL SEARCH REPORT

Information on patent family members

International application No PCT/IB2019/054156
---

Patent document cited in search report	Publication date	Patent family member(s)	Publication date
US 2008177330	A1	24-07-2008	AU 2007309320 A1 02-05-2008
			EP 2086432 A2 12-08-2009
			US 2008177330 A1 24-07-2008
			WO 2008051707 A2 02-05-2008
-----			
US 2012136396	A1	31-05-2012	AU 2010248816 A1 01-12-2011
			AU 2016200760 A1 25-02-2016
			BR PI1010829 A2 05-04-2016
			CA 2761948 A1 18-11-2010
			CN 102458284 A 16-05-2012
			EP 2429434 A2 21-03-2012
			JP 5801287 B2 28-10-2015
			JP 6113779 B2 12-04-2017
			JP 2012526639 A 01-11-2012
			JP 2015180258 A 15-10-2015
			RU 2011149998 A 20-06-2013
			US 2012136396 A1 31-05-2012
			WO 2010132830 A2 18-11-2010
			ZA 201108223 B 26-09-2012
-----			
US 2013060336	A1	07-03-2013	US 2013060336 A1 07-03-2013
			WO 2013036404 A1 14-03-2013
-----			
EP 2932927	A1	21-10-2015	CN 105012001 A 04-11-2015
			EP 2932927 A1 21-10-2015
			EP 2932928 A1 21-10-2015
			JP 2015205179 A 19-11-2015
			KR 20150120308 A 27-10-2015
			TW 201540253 A 01-11-2015
			US 2015320462 A1 12-11-2015
-----			