

(19) World Intellectual Property Organization
International Bureau



(43) International Publication Date
16 September 2004 (16.09.2004)

PCT

(10) International Publication Number
WO 2004/078023 A3

(51) International Patent Classification⁷: A61M 29/00

(21) International Application Number:
PCT/US2003/033750

(22) International Filing Date: 23 October 2003 (23.10.2003)

(25) Filing Language: English

(26) Publication Language: English

(30) Priority Data:
60/420,555 23 October 2002 (23.10.2002) US
60/471,520 15 May 2003 (15.05.2003) US

(71) Applicant (for all designated States except US): THE BIOMERIX CORPORATION [US/US]; 41 West 57th Street, 4th Floor, New York, NY 10019 (US).

(72) Inventors: COSTANTINO, Peter, D.; The Biomerix Corporation, 41 W. 57th Street, 4th Floor, New York, NY 10019 (US). FRIEDMAN, Craig, D.; The Biomerix Corporation, 41 W. 57th Street, 4th Floor, New York, NY 10019 (US). DATTA, Arindam; The Biomerix Corporation, 41 W. 57th Street, 4th Floor, New York, NY 10019 (US). JORDAN, Maybelle; The Biomerix Corporation,

41 W. 57th Street, 4th Floor, New York, NY 10019 (US). KRESPI, Yosef; The Biomerix Corporation, 41 W. 57th Street, 4th Floor, New York, NY 10019 (US). KLEMPNER, Daniel; The Biomerix Corporation, 41 W. 57th Street, 4th Floor, New York, NY 10019 (US). ASKILL, Ian, N.; The Biomerix Corporation, 41 W. 57th Street, 4th Floor, New York, NY 10019 (US).

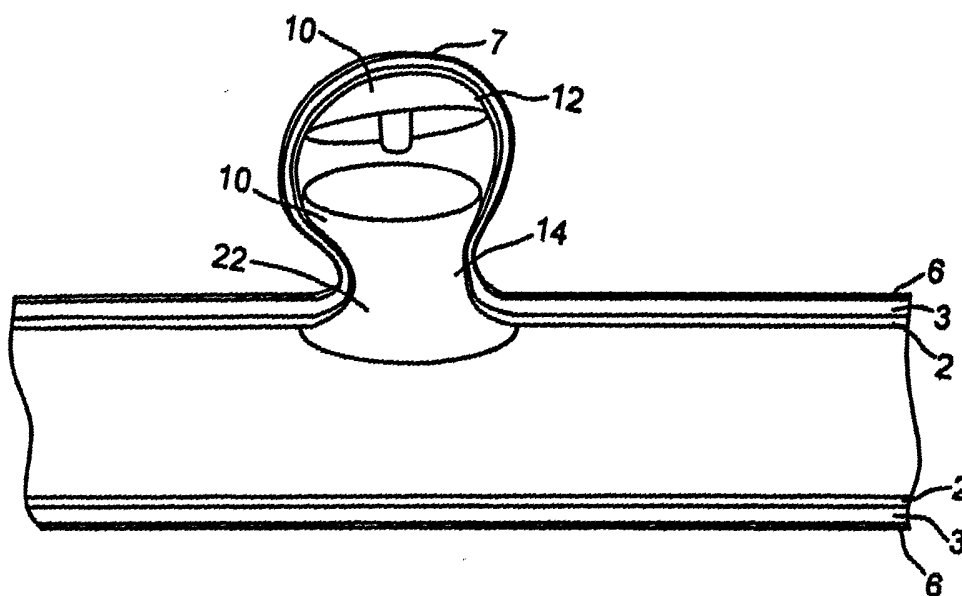
(74) Agents: HANDAL, Anthony, H. et al.; Kirkpatrick & Lockhart, LLP, 599 Lexington Avenue, 31st Floor, New York, NY 10022-6030 (US).

(81) Designated States (national): AE, AG, AL, AM, AT, AU, AZ, BA, BB, BG, BR, BY, BZ, CA, CH, CN, CO, CR, CU, CZ, DE, DK, DM, DZ, EC, EE, ES, FI, GB, GD, GE, GH, GM, HR, HU, ID, IL, IN, IS, JP, KE, KG, KP, KR, KZ, LC, LK, LR, LS, LT, LU, LV, MA, MD, MG, MK, MN, MW, MX, MZ, NI, NO, NZ, OM, PG, PH, PL, PT, RO, RU, SC, SD, SE, SG, SK, SL, SY, TJ, TM, TN, TR, TT, TZ, UA, UG, UZ, VC, VN, YU, ZA, ZM, ZW.

(84) Designated States (regional): ARIPO patent (GH, GM, KE, LS, MW, MZ, SD, SL, SZ, TZ, UG, ZM, ZW), Eurasian patent (AM, AZ, BY, KG, KZ, MD, RU, TJ, TM),

[Continued on next page]

(54) Title: ANEURYSM TREATMENT DEVICES AND METHODS



(57) Abstract: An aneurysm treatment device (10) for *in situ* treatment of aneurysms comprising a collapsible member having a first shape wherein the first shape is an expanded geometric configuration, and a second shape, wherein the second shape is a collapsed configuration that is loadable into a catheter. The aneurysm treatment device (10) is capable of returning to the first shape in the lumen of an aneurysm. Some aneurysm treatment devices comprise a spreadable portion and a projecting portion (12) integral with the spreadable portion. The spreadable portion is capable of resting against and supporting an inner wall of an aneurysm, the projecting portion (12) is capable of being gripped by a surgeon to facilitate insertion and positioning of the device (10). Other devices have relatively simple shapes and can be implanted to a site as a plurality. Treatment methods are also disclosed.

WO 2004/078023 A3



European patent (AT, BE, BG, CH, CY, CZ, DE, DK, EE, ES, FI, FR, GB, GR, HU, IE, IT, LU, MC, NL, PT, RO, SE, SI, SK, TR), OAPI patent (BF, BJ, CF, CG, CI, CM, GA, GN, GQ, GW, ML, MR, NE, SN, TD, TG).

(88) Date of publication of the international search report:
2 June 2005

Published:

— *with international search report*

For two-letter codes and other abbreviations, refer to the "Guidance Notes on Codes and Abbreviations" appearing at the beginning of each regular issue of the PCT Gazette.

INTERNATIONAL SEARCH REPORT

International application No.

PCT/US03/33750

A. CLASSIFICATION OF SUBJECT MATTER
 IPC(7) : A61M 29/00
 US CL : 606/200
 According to International Patent Classification (IPC) or to both national classification and IPC

B. FIELDS SEARCHED

Minimum documentation searched (classification system followed by classification symbols)
 U.S. : 606/76, 200, 213, 214; 424/422-424

Documentation searched other than minimum documentation to the extent that such documents are included in the fields searched

Electronic data base consulted during the international search (name of data base and, where practicable, search terms used)
 Please See Continuation Sheet

C. DOCUMENTS CONSIDERED TO BE RELEVANT

Category *	Citation of document, with indication, where appropriate, of the relevant passages	Relevant to claim No.
X --- Y	US 4,994,069 A (RITCHART et al.) 19 February 1991 (19.02.1991), See entire document.	1-3,9,11,12,14-16, ----- 8,10,18-24
A	US 5,690,671 A (McGURK et al.) 25 November 1997 (25.11.1997), See entire document.	
X	US 6,454,780 B1 (WALLACE) 24 September 2002 (24.09.2002), See entire document.	1,4

Further documents are listed in the continuation of Box C. See patent family annex.

* Special categories of cited documents:	
"A" document defining the general state of the art which is not considered to be of particular relevance	"T" later document published after the international filing date or priority date and not in conflict with the application but cited to understand the principle or theory underlying the invention
"E" earlier application or patent published on or after the international filing date	"X" document of particular relevance; the claimed invention cannot be considered novel or cannot be considered to involve an inventive step when the document is taken alone
"L" document which may throw doubts on priority claim(s) or which is cited to establish the publication date of another citation or other special reason (as specified)	"Y" document of particular relevance; the claimed invention cannot be considered to involve an inventive step when the document is combined with one or more other such documents, such combination being obvious to a person skilled in the art
"O" document referring to an oral disclosure, use, exhibition or other means	"&" document member of the same patent family
"P" document published prior to the international filing date but later than the priority date claimed	

Date of the actual completion of the international search: 20 December 2004 (20.12.2004)
 Date of mailing of the international search report: 11 JAN 2005

Name and mailing address of the ISA/US: Mail Stop PCT, Attn: ISA/US, Commissioner for Patents, P.O. Box 1450, Alexandria, Virginia 22313-1450, Facsimile No. (703) 305-3230
 Authorized officer: Sharon N. Greene for Julian W. Woo, Telephone No. 571-272-2975

INTERNATIONAL SEARCH REPORT

PCT/US03/33750

Continuation of B. FIELDS SEARCHED Item 3:

EAST BRS

search terms: aneurysm, foam, catheter, expandable, polyol, cup