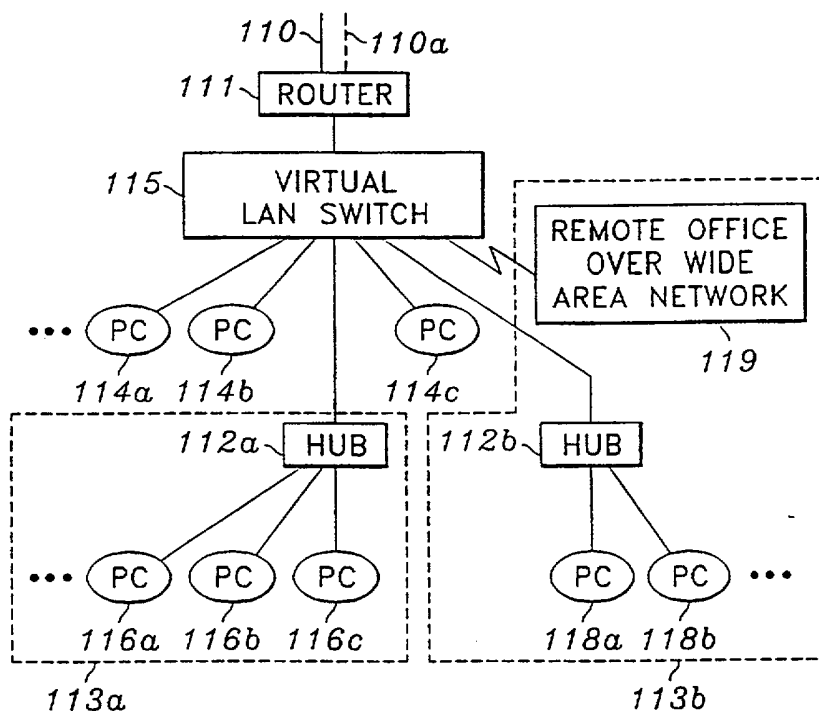




INTERNATIONAL APPLICATION PUBLISHED UNDER THE PATENT COOPERATION TREATY (PCT)

<p>(51) International Patent Classification ⁶ : G06F 13/00, H04L 12/46, 12/66</p>	<p>A3</p>	<p>(11) International Publication Number: WO 99/07094 (43) International Publication Date: 11 February 1999 (11.02.99)</p>
<p>(21) International Application Number: PCT/US98/16104 (22) International Filing Date: 31 July 1998 (31.07.98) (30) Priority Data: 08/904,078 31 July 1997 (31.07.97) US (71) Applicant: LARKOM, L.L.C. [US/US]; Suite F, 915 Calle Amanecer, San Clemente, CA 92673 (US). (72) Inventors: MUNTUN, Quinn, D.; 25211 Stockport #265, Laguna Hills, CA 92675 (US). LEON, Roberto, M.; 29612 Fairglen Court, San Juan Capistrano, CA 92675 (US). SUN, Lian, K.; 308 Avenida Monterey #C, San Clemente, CA 92672 (US). (74) Agents: NEWBOLES, Matthew, A. et al.; Stetina Brunda Garred & Brucker, Suite 401, 24221 Calle de la Louisa, Laguna Hills, CA 92653 (US).</p>		<p>(81) Designated States: AL, AM, AT, AU, AZ, BA, BB, BG, BR, BY, CA, CH, CN, CU, CZ, DE, DK, EE, ES, FI, GB, GE, GH, GM, HU, ID, IL, IS, JP, KE, KG, KP, KR, KZ, LC, LK, LR, LS, LT, LU, LV, MD, MG, MK, MN, MW, MX, NO, NZ, PL, PT, RO, RU, SD, SE, SG, SI, SK, SL, TJ, TM, TR, TT, UA, UG, UZ, VN, YU, ZW, European patent (AT, BE, CH, CY, DE, DK, ES, FI, FR, GB, GR, IE, IT, LU, MC, NL, PT, SE), OAPI patent (BF, BJ, CF, CG, CI, CM, GA, GN, GW, ML, MR, NE, SN, TD, TG).</p> <p>Published <i>With international search report.</i></p> <p>(88) Date of publication of the international search report: 8 April 1999 (08.04.99)</p>

(54) Title: SHARED HIGH SPEED NETWORK ACCESS



(57) Abstract

A system for providing a plurality of computers (114-114c) with shared high speed access to a wide area network has a router (111) in communication with the wide area network for routing messages communicated over the wide area network, and a virtual LAN switch (115) in communication with the router (111). The virtual LAN switch (115) facilitates communication with a plurality of computers (114a-114c) such that each computer is provided high speed access to the wide area network via the virtual LAN switch (115).

FOR THE PURPOSES OF INFORMATION ONLY

Codes used to identify States party to the PCT on the front pages of pamphlets publishing international applications under the PCT.

AL	Albania	ES	Spain	LS	Lesotho	SI	Slovenia
AM	Armenia	FI	Finland	LT	Lithuania	SK	Slovakia
AT	Austria	FR	France	LU	Luxembourg	SN	Senegal
AU	Australia	GA	Gabon	LV	Latvia	SZ	Swaziland
AZ	Azerbaijan	GB	United Kingdom	MC	Monaco	TD	Chad
BA	Bosnia and Herzegovina	GE	Georgia	MD	Republic of Moldova	TG	Togo
BB	Barbados	GH	Ghana	MG	Madagascar	TJ	Tajikistan
BE	Belgium	GN	Guinea	MK	The former Yugoslav Republic of Macedonia	TM	Turkmenistan
BF	Burkina Faso	GR	Greece	ML	Mali	TR	Turkey
BG	Bulgaria	HU	Hungary	MN	Mongolia	TT	Trinidad and Tobago
BJ	Benin	IE	Ireland	MR	Mauritania	UA	Ukraine
BR	Brazil	IL	Israel	MW	Malawi	UG	Uganda
BY	Belarus	IS	Iceland	MX	Mexico	US	United States of America
CA	Canada	IT	Italy	NE	Niger	UZ	Uzbekistan
CF	Central African Republic	JP	Japan	NL	Netherlands	VN	Viet Nam
CG	Congo	KE	Kenya	NO	Norway	YU	Yugoslavia
CH	Switzerland	KG	Kyrgyzstan	NZ	New Zealand	ZW	Zimbabwe
CI	Côte d'Ivoire	KP	Democratic People's Republic of Korea	PL	Poland		
CM	Cameroon	KR	Republic of Korea	PT	Portugal		
CN	China	KZ	Kazakstan	RO	Romania		
CU	Cuba	LC	Saint Lucia	RU	Russian Federation		
CZ	Czech Republic	LI	Liechtenstein	SD	Sudan		
DE	Germany	LK	Sri Lanka	SE	Sweden		
DK	Denmark	LR	Liberia	SG	Singapore		
EE	Estonia						

INTERNATIONAL SEARCH REPORT

International application No.
PCT/US98/16104

A. CLASSIFICATION OF SUBJECT MATTER		
IPC(6) .G06F 13/00, H04L 12/46, 12/66 US CL :370/396, 401, 409, 901, 911; 395/200.68, 200.79 According to International Patent Classification (IPC) or to both national classification and IPC		
B. FIELDS SEARCHED		
Minimum documentation searched (classification system followed by classification symbols) U.S. : Please See Extra Sheet.		
Documentation searched other than minimum documentation to the extent that such documents are included in the fields searched NONE		
Electronic data base consulted during the international search (name of data base and, where practicable, search terms used) APS search terms: (virtual(3w)network or VLAN), (wide area network or WAN), (local area network or LAN), (router or bridge or gateway or switch), (computer# or terminal# or end user#)		
C. DOCUMENTS CONSIDERED TO BE RELEVANT		
Category*	Citation of document, with indication, where appropriate, of the relevant passages	Relevant to claim No.
X	US 4,823,338 A (CHAN ET AL) 18 April 1989, see col. 3, line 51 to col. 4, line 49, and Fig. 1.	1-10
X	US 5,394,402 A (ROSS) 28 February 1995, see col. 4, line 63 to col. 7, line 41, and Figs. 1-3.	1-10
X,E	US 5,825,772 A (DOBBINS ET AL) 20 October 1998, see col. 9, line 52 to col. 11, line 6, col. 20, line 51 to col. col. 21, line 41, and Figs. 2 and 19.	1-10
A,P	US 5,734,865 A (YU) 31 March 1998, see col. 9, line 64 to col. 11, line 50, and Fig. 2.	1-10
<input checked="" type="checkbox"/> Further documents are listed in the continuation of Box C. <input type="checkbox"/> See patent family annex.		
* *A* *E* *L* *O* *P*	Special categories of cited documents: document defining the general state of the art which is not considered to be of particular relevance earlier document published on or after the international filing date document which may throw doubts on priority claim(s) or which is cited to establish the publication date of another citation or other special reason (as specified) document referring to an oral disclosure, use, exhibition or other means document published prior to the international filing date but later than the priority date claimed	*T* later document published after the international filing date or priority date and not in conflict with the application but cited to understand the principle or theory underlying the invention *X* document of particular relevance; the claimed invention cannot be considered novel or cannot be considered to involve an inventive step when the document is taken alone *Y* document of particular relevance; the claimed invention cannot be considered to involve an inventive step when the document is combined with one or more other such documents, such combination being obvious to a person skilled in the art *&* document member of the same patent family
Date of the actual completion of the international search 20 DECEMBER 1998		Date of mailing of the international search report 03 FEB 1999
Name and mailing address of the ISA/US Commissioner of Patents and Trademarks Box PCT Washington, D.C. 20231 Facsimile No. (703) 305-3230		Authorized officer ALPUS H. HSU <i>Joni Hill</i> Telephone No. (703) 305-4377

INTERNATIONAL SEARCH REPORT

International application No.
PCT/US98/16104

C (Continuation). DOCUMENTS CONSIDERED TO BE RELEVANT

Category*	Citation of document, with indication, where appropriate, of the relevant passages	Relevant to claim No.
A,P	US 5,684,800 A (DOBBINS ET AL) 04 November 1997, see col. 5, line 49 to col. 6, line 45.	1-10
A	US 5,572,528 A (SHUEN) 05 November 1996, see entire document.	1-10

Form PCT/ISA/210 (continuation of second sheet)(July 1992)★

INTERNATIONAL SEARCH REPORT

International application No.
PCT/US98/16104

B. FIELDS SEARCHED

Minimum documentation searched

Classification System: U.S.

370/352, 355, 389, 395, 396, 397, 400, 401-409, 901, 902, 904, 905, 908, 911; 395/200.3, 200.31, 200.57, 200.6, 200.68, 200.79, 200.82, 200.83