



US0D1000643S

(12) **United States Design Patent**
Clarkson

(10) **Patent No.:** **US D1,000,643 S**

(45) **Date of Patent:** **** Oct. 3, 2023**

(54) **WALL PANEL**

(71) Applicant: **Korok Building Systems NZ Limited,**
Hamilton (NZ)

(72) Inventor: **Darren Brett Clarkson,** Hamilton (NZ)

(73) Assignee: **KOROK BUILDING SYSTEMS NZ LIMITED,** Hamilton (NZ)

(**) Term: **15 Years**

(21) Appl. No.: **29/764,025**

(22) Filed: **Dec. 28, 2020**

(30) **Foreign Application Priority Data**

Jul. 23, 2020 (NZ) 427799

(51) **LOC (14) Cl.** **25-01**

(52) **U.S. Cl.**
USPC **D25/138**

(58) **Field of Classification Search**
USPC D25/138
CPC E04C 2/322; E04C 2002/345; E04C
2002/3455; E04F 2201/025; E04F
2201/035

See application file for complete search history.

(56) **References Cited**

U.S. PATENT DOCUMENTS

5,842,315 A * 12/1998 Lin B32B 3/18
52/630
D485,373 S * 1/2004 Morton B29C 48/12
D25/138
D619,271 S * 7/2010 Ezra D25/138
2018/0038103 A1* 2/2018 Neumayr E04C 2/46
2019/0226204 A1* 7/2019 Visser E04C 2/38

* cited by examiner

Primary Examiner — Doris Clark

(74) *Attorney, Agent, or Firm* — Wenderoth, Lind &
Ponack, L.L.P.

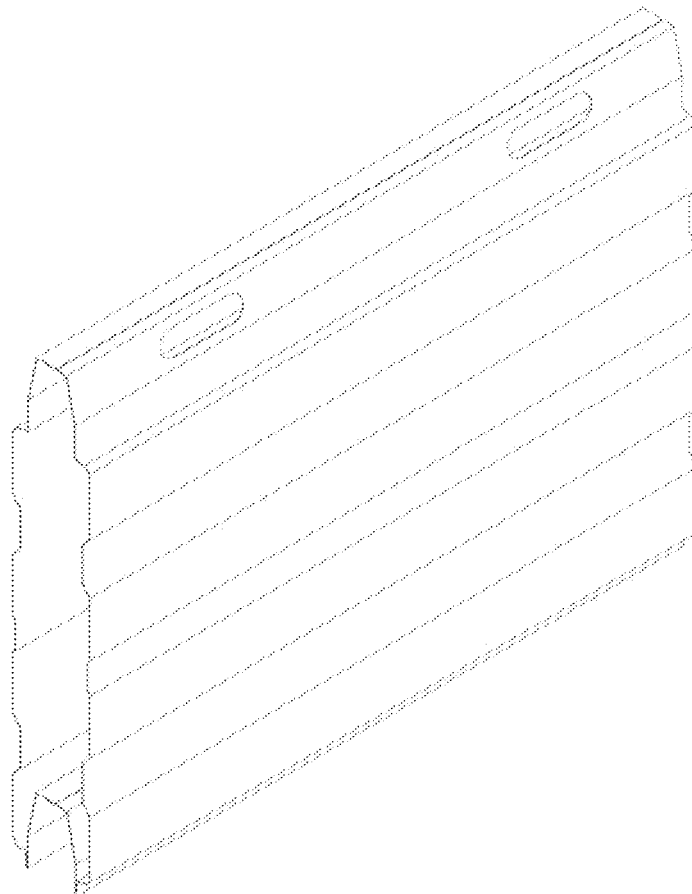
(57) **CLAIM**

The ornamental design for a wall panel, as shown and described.

DESCRIPTION

FIG. 1 is a perspective view of a wall panel;
FIG. 2 is an end view thereof;
FIG. 3 is a bottom view thereof;
FIG. 4 is a top view thereof; and,
FIG. 5 is a side view thereof.

1 Claim, 2 Drawing Sheets



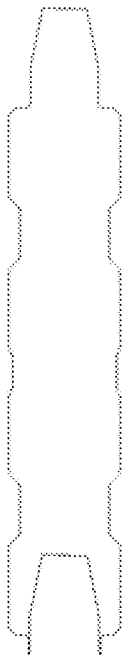


Fig. 2

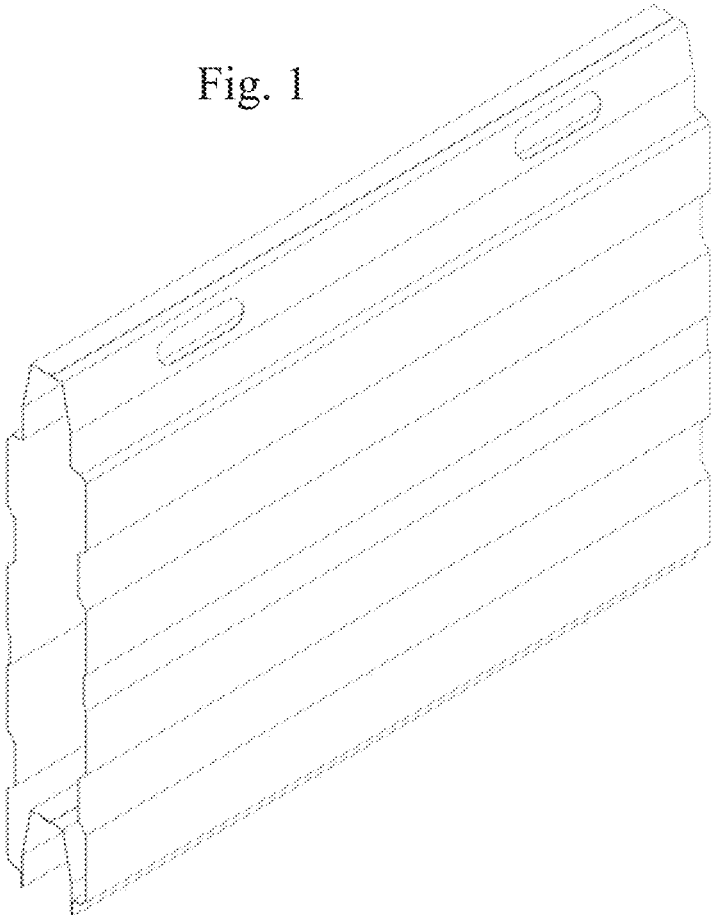


Fig. 1

Fig. 3

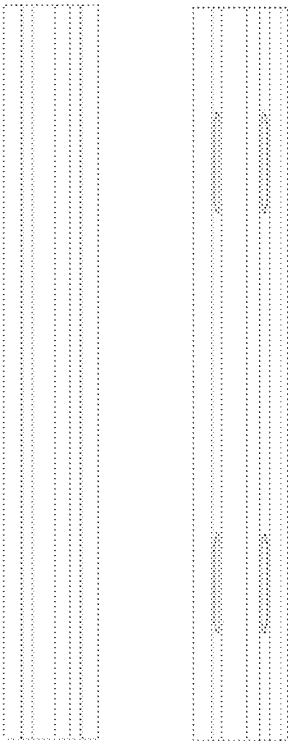


Fig. 5

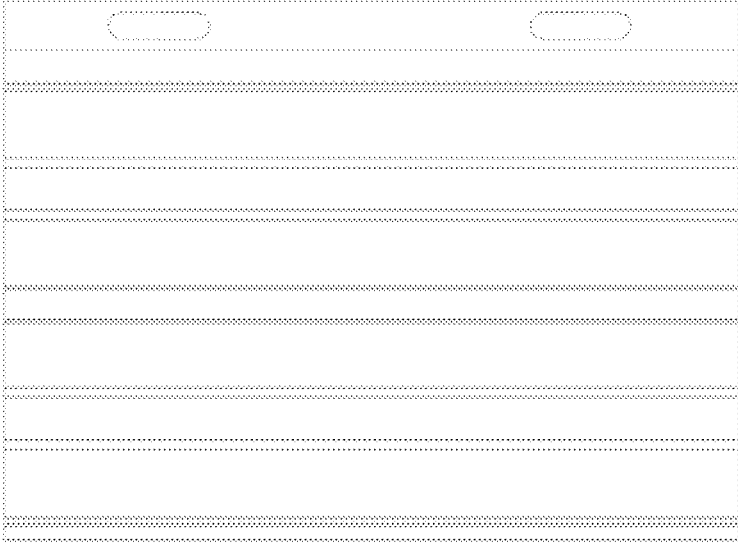


Fig. 4