



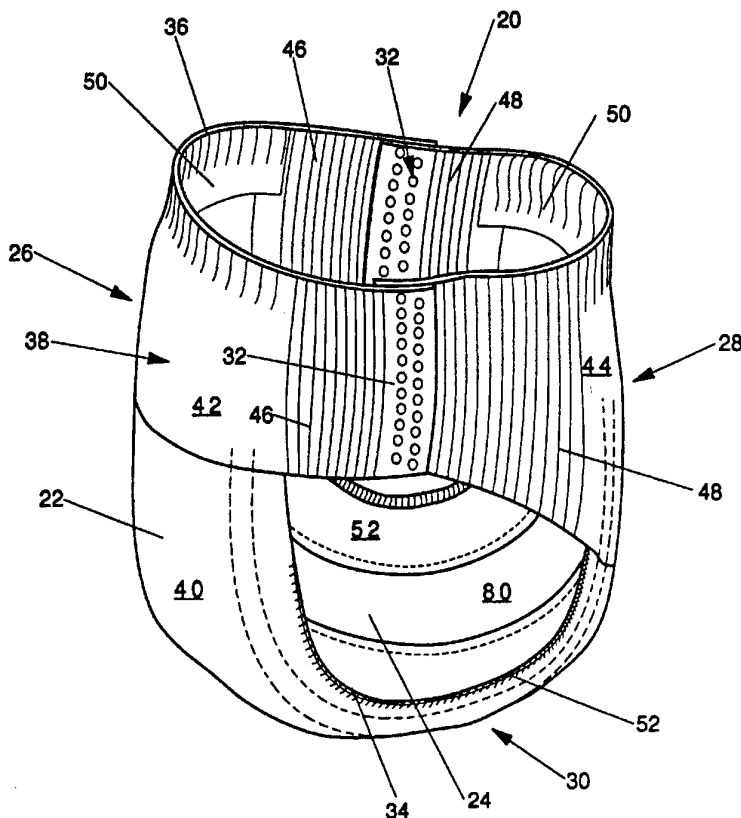
INTERNATIONAL APPLICATION PUBLISHED UNDER THE PATENT COOPERATION TREATY (PCT)

<p>(51) International Patent Classification ⁶ : A61F 13/15</p>	<p>A3</p>	<p>(11) International Publication Number: WO 96/31178 (43) International Publication Date: 10 October 1996 (10.10.96)</p>
<p>(21) International Application Number: PCT/US96/04303 (22) International Filing Date: 29 March 1996 (29.03.96) (30) Priority Data: 08/415,816 3 April 1995 (03.04.95) US (71) Applicant: THE PROCTER & GAMBLE COMPANY [US/US]; One Procter & Gamble Plaza, Cincinnati, OH 45202 (US). (72) Inventors: BUELL, Kenneth, Barclay; 218 Brocdorf Drive, Cincinnati, OH 45215 (US). CARLIN, Edward, Paul; 2902 Millbank Road, Maineville, OH 45039 (US). (74) Agents: REED, T., David et al.; The Procter & Gamble Company, 5299 Spring Grove Avenue, Cincinnati, OH 45217 (US).</p>	<p>(81) Designated States: AL, AM, AT, AU, AZ, BB, BG, BR, BY, CA, CH, CN, CZ, DE, DK, EE, ES, FI, GB, GE, HU, IS, JP, KE, KG, KP, KR, KZ, LK, LR, LS, LT, LU, LV, MD, MG, MK, MN, MW, MX, NO, NZ, PL, PT, RO, RU, SD, SE, SG, SI, SK, TJ, TM, TR, TT, UA, UG, UZ, VN, ARIPO patent (KE, LS, MW, SD, SZ, UG), Eurasian patent (AM, AZ, BY, KG, KZ, MD, RU, TJ, TM), European patent (AT, BE, CH, DE, DK, ES, FI, FR, GB, GR, IE, IT, LU, MC, NL, PT, SE), OAPI patent (BF, BJ, CF, CG, CI, CM, GA, GN, ML, MR, NE, SN, TD, TG).</p> <p>Published <i>With international search report.</i> <i>Before the expiration of the time limit for amending the claims and to be republished in the event of the receipt of amendments.</i></p> <p>(88) Date of publication of the international search report: 14 November 1996 (14.11.96)</p>	

(54) Title: DISPOSABLE PULL-ON PANT

(57) Abstract

Pull-on garments provided with a continuous belt (38) in the front region (26) and the back region (28) to distribute the forces generated during use in order to better fit the pull-on garment on the wearer. In a preferred embodiment, the pull-on garment comprises a chassis layer (40) comprising a continuous sheet that defines a front region, a back region, and a crotch region (30), first belt layer (42) joined to the chassis layer in the front region; a second belt layer (44) joined to the chassis layer in the back region; elastic laminate panel members (46, 48, 50, a.o.) positioned between the belt layers and the chassis layers which laminate is mechanically stretched to form elastically extensible stretch laminates in both the front region and the back region in the side panels (64), and seams (32) joining the front region to the back region so as to form the leg openings (34) and waist openings (36). The continuous chassis layer and belt layers thus form the continuous belt of the pull-on garment. Because the belt layers extend continuously laterally across the waist region and do not cover the entire crotch region, and because the chassis layer is thus exposed in the crotch region, the pull-on garment has a unique aesthetic feature which consumers perceive as providing a cloth-like feel in the waist but containment characteristics in the crotch.



FOR THE PURPOSES OF INFORMATION ONLY

Codes used to identify States party to the PCT on the front pages of pamphlets publishing international applications under the PCT.

AM	Armenia	GB	United Kingdom	MW	Malawi
AT	Austria	GE	Georgia	MX	Mexico
AU	Australia	GN	Guinea	NE	Niger
BB	Barbados	GR	Greece	NL	Netherlands
BE	Belgium	HU	Hungary	NO	Norway
BF	Burkina Faso	IE	Ireland	NZ	New Zealand
BG	Bulgaria	IT	Italy	PL	Poland
BJ	Benin	JP	Japan	PT	Portugal
BR	Brazil	KE	Kenya	RO	Romania
BY	Belarus	KG	Kyrgystan	RU	Russian Federation
CA	Canada	KP	Democratic People's Republic of Korea	SD	Sudan
CF	Central African Republic	KR	Republic of Korea	SE	Sweden
CG	Congo	KZ	Kazakhstan	SG	Singapore
CH	Switzerland	LI	Liechtenstein	SI	Slovenia
CI	Côte d'Ivoire	LK	Sri Lanka	SK	Slovakia
CM	Cameroon	LR	Liberia	SN	Senegal
CN	China	LT	Lithuania	SZ	Swaziland
CS	Czechoslovakia	LU	Luxembourg	TD	Chad
CZ	Czech Republic	LV	Larvia	TG	Togo
DE	Germany	MC	Monaco	TJ	Tajikistan
DK	Denmark	MD	Republic of Moldova	TT	Trinidad and Tobago
EE	Estonia	MG	Madagascar	UA	Ukraine
ES	Spain	ML	Mali	UG	Uganda
FI	Finland	MN	Mongolia	US	United States of America
FR	France	MR	Mauritania	UZ	Uzbekistan
GA	Gabon			VN	Viet Nam

INTERNATIONAL SEARCH REPORT

In nal Application No
PCT/US 96/04303

A. CLASSIFICATION OF SUBJECT MATTER
IPC 6 A61F13/15

According to International Patent Classification (IPC) or to both national classification and IPC

B. FIELDS SEARCHED

Minimum documentation searched (classification system followed by classification symbols)
IPC 6 A61F

Documentation searched other than minimum documentation to the extent that such documents are included in the fields searched

Electronic data base consulted during the international search (name of data base and, where practical, search terms used)

C. DOCUMENTS CONSIDERED TO BE RELEVANT

Category *	Citation of document, with indication, where appropriate, of the relevant passages	Relevant to claim No.
A	EP,A,0 641 552 (KAO) 8 March 1995 see the whole document ---	1,11,12
A	US,A,5 171 239 (IGAUE ET AL.) 15 December 1992 cited in the application ---	
A	US,A,5 246 433 (HASSE ET AL.) 21 September 1993 cited in the application ---	
A	WO,A,93 17648 (MÖLNLYCKE) 16 September 1993 cited in the application -----	

Further documents are listed in the continuation of box C.

Patent family members are listed in annex.

* Special categories of cited documents :

- *A* document defining the general state of the art which is not considered to be of particular relevance
- *E* earlier document but published on or after the international filing date
- *L* document which may throw doubts on priority claim(s) or which is cited to establish the publication date of another citation or other special reason (as specified)
- *O* document referring to an oral disclosure, use, exhibition or other means
- *P* document published prior to the international filing date but later than the priority date claimed

- *T* later document published after the international filing date or priority date and not in conflict with the application but cited to understand the principle or theory underlying the invention
- *X* document of particular relevance; the claimed invention cannot be considered novel or cannot be considered to involve an inventive step when the document is taken alone
- *Y* document of particular relevance; the claimed invention cannot be considered to involve an inventive step when the document is combined with one or more other such documents, such combination being obvious to a person skilled in the art.
- * & * document member of the same patent family

Date of the actual completion of the international search

19 September 1996

Date of mailing of the international search report

0 1. 10. 96

Name and mailing address of the ISA
European Patent Office, P.B. 5818 Patentlaan 2
NL - 2280 HV Rijswijk
Tel. (+ 31-70) 340-2040, Tx. 31 651 epo nl,
Fax (+ 31-70) 340-3016

Authorized officer

Hagberg, A

INTERNATIONAL SEARCH REPORT

Information on patent family members

International Application No
PCT/US 96/04303

Patent document cited in search report	Publication date	Patent family member(s)	Publication date
EP-A-641552	08-03-95	JP-A- 7116191	09-05-95
		CN-A- 1103775	21-06-95

US-A-5171239	15-12-92	JP-A- 3162854	12-07-91
		AU-B- 641413	23-09-93
		AU-A- 5985890	14-02-91
		DE-D- 59006006	14-07-94
		EP-A- 0412549	13-02-91
		GB-A,B 2235125	27-02-91
		KR-Y- 9601477	17-02-96

US-A-5246433	21-09-93	AU-A- 3125093	15-06-93
		BR-A- 9206808	31-10-95
		CA-A- 2122239	27-05-93
		CN-A- 1079127	08-12-93
		CZ-A- 9401252	16-11-94
		EP-A- 0613363	07-09-94
		FI-A- 942365	20-05-94
		HU-A- 69092	28-08-95
		JP-T- 7501245	09-02-95
		NO-A- 941879	21-07-94
		NZ-A- 245198	27-11-95
		PT-A- 101084	31-05-94
		SK-A- 58594	05-01-95
		TR-A- 26340	15-03-95
		WO-A- 9309746	27-05-93
		US-A- 5464401	07-11-95
US-A- 5496429	05-03-96		

WO-A-9317648	16-09-93	AU-B- 667520	28-03-96
		CZ-A- 9402131	15-02-95
		EP-A- 0630221	28-12-94
		ES-Y- 1023926	16-07-94
		HU-A- 71450	28-11-95
		NZ-A- 249624	27-11-95
		SE-A- 9200663	05-09-93
		SK-A- 106194	09-08-95
		ZA-A- 9301342	24-09-93
