



US00D339573S

United States Patent [19]

[11] Patent Number: Des. 339,573

Gifford et al.

[45] Date of Patent: ** Sep. 21, 1993

[54] PERIPHERAL TAPE DRIVE HOUSING

[56] References Cited

[75] Inventors: Michael F. Gifford, San Jose; Craig M. Leverault, Mountain View; Tuan T. Vu, San Jose; Philip G. Yurkonis, Campbell, all of Calif.

- U.S. PATENT DOCUMENTS
- D. 301,137 5/1989 Treptow et al. D14/107
 - D. 304,823 11/1989 Pfeifer et al. D14/109 X
 - D. 306,437 3/1990 Hara D14/109
 - D. 320,007 9/1991 Leverault et al. D14/100
 - D. 323,818 2/1992 Willis et al. D14/100

[73] Assignee: Sun Microsystems, Inc., Mountain View, Calif.

Primary Examiner—Wallace R. Burke
Assistant Examiner—Freda S. Nunn
Attorney, Agent, or Firm—Blakely Sokoloff Taylor & Zafman

[**] Term: 14 Years

[57] CLAIM

[21] Appl. No.: 725,244

The ornamental design for a peripheral tape drive housing, as shown and described.

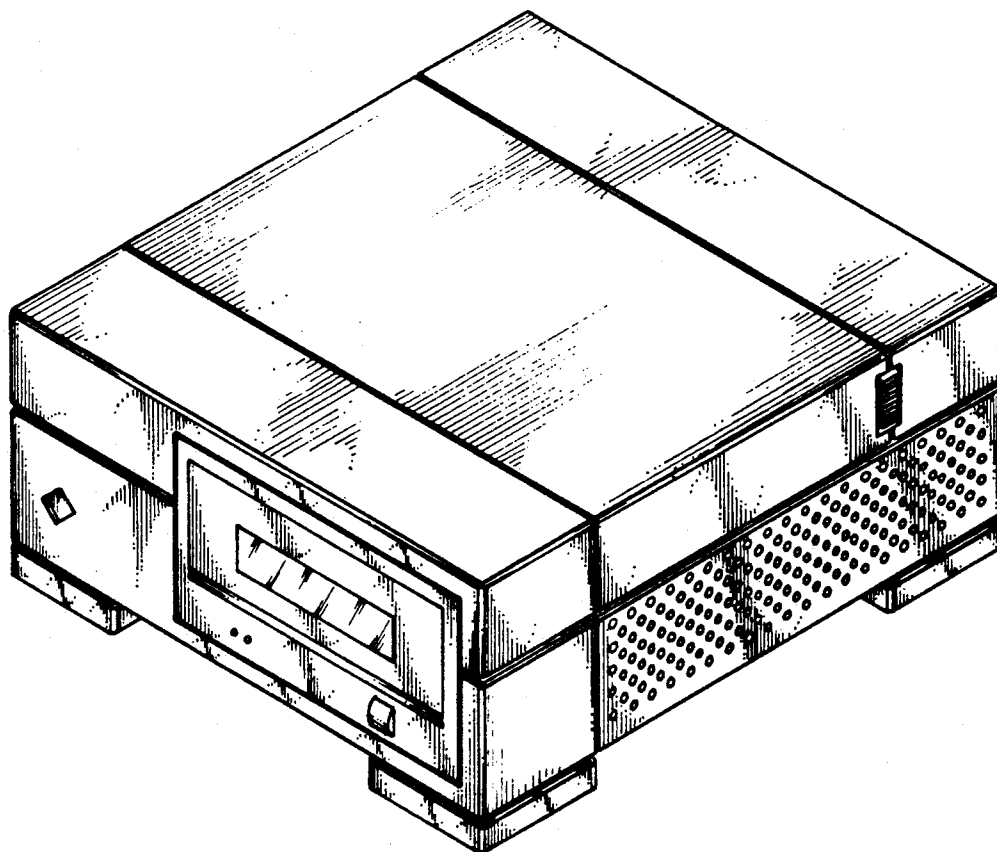
[22] Filed: Jul. 3, 1991

DESCRIPTION

Related U.S. Application Data

- [63] Continuation-in-part of Ser. No. 558,172, Jul. 25, 1990, Pat. No. D. 320,007.
- [52] U.S. Cl. D14/108
- [58] Field of Search D14/100, 102, 108, 109; D13/162, 184, 199; 361/390-395; 312/198, 208.1

FIG. 1 is a perspective view of the peripheral tape drive housing showing the front, top, and right side of our design;
 FIG. 2 is a front elevational view thereof;
 FIG. 3 is a top plan view thereof;
 FIG. 4 is a left side elevational view thereof, the right elevational side view being a mirror image of the left side;
 FIG. 5 is a rear elevational view thereof; and,
 FIG. 6 is a bottom plan view thereof.



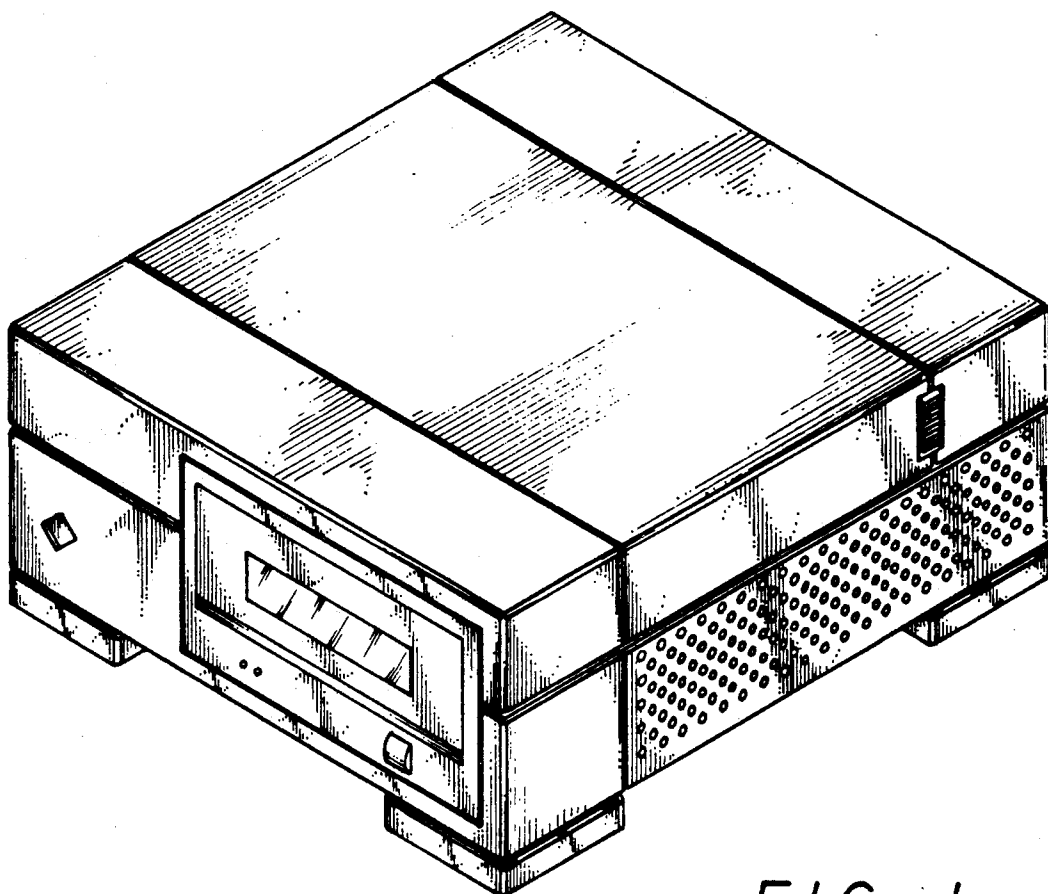


FIG. 1

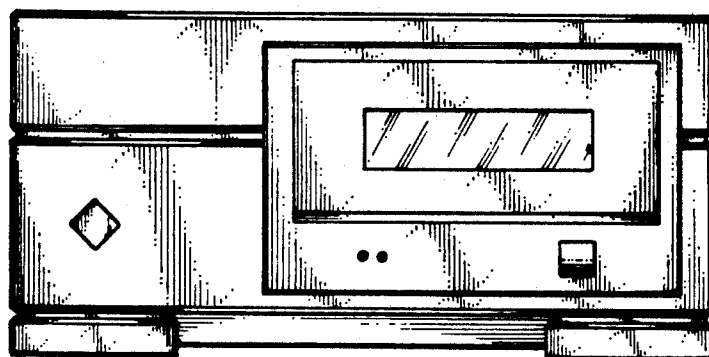


FIG. 2

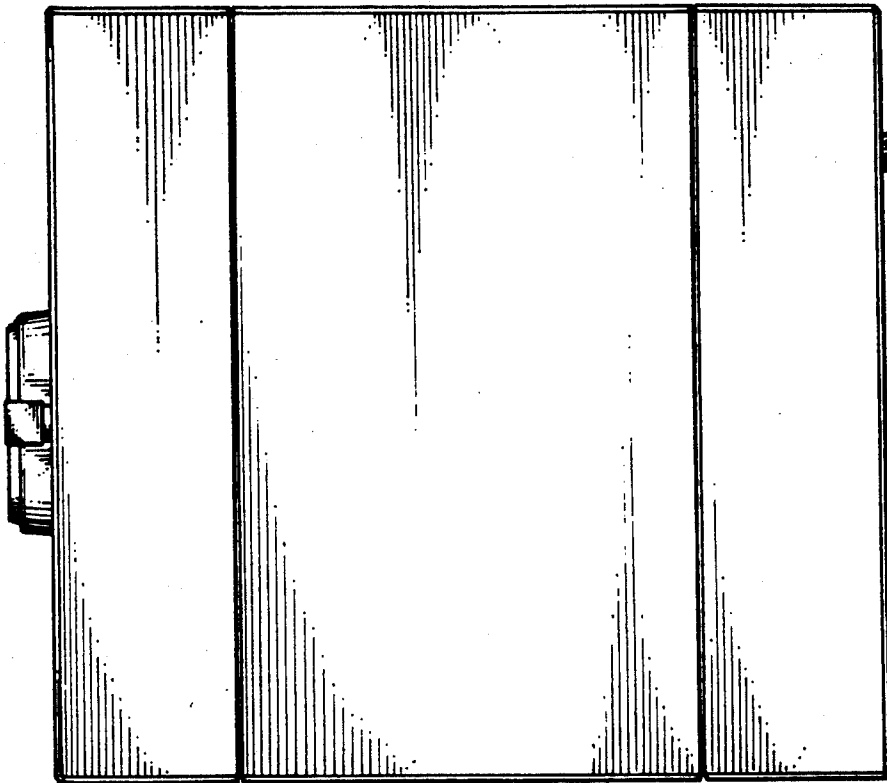


FIG. 3

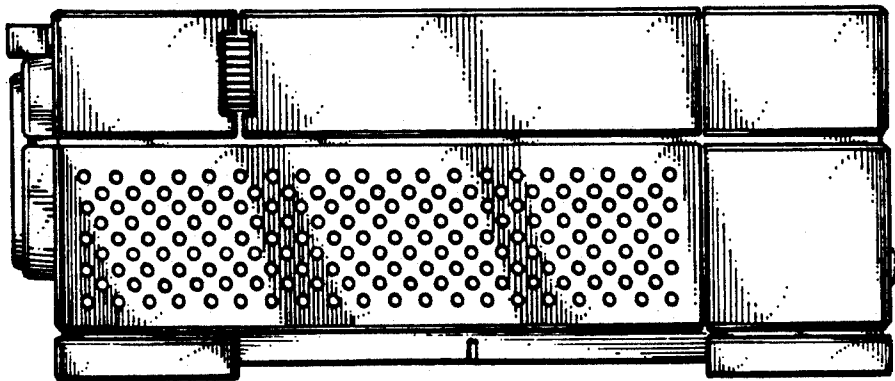


FIG. 4

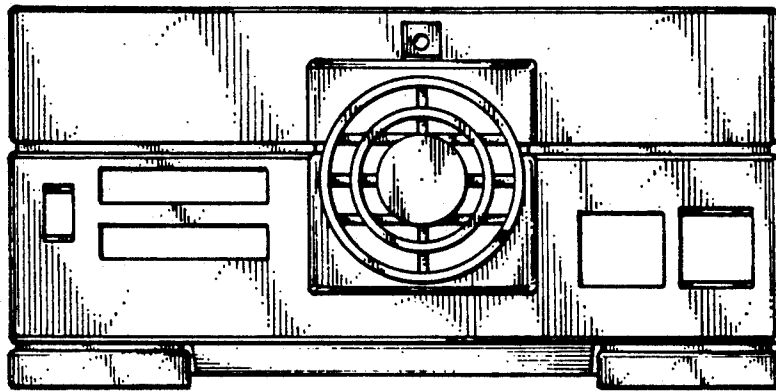


FIG. 5

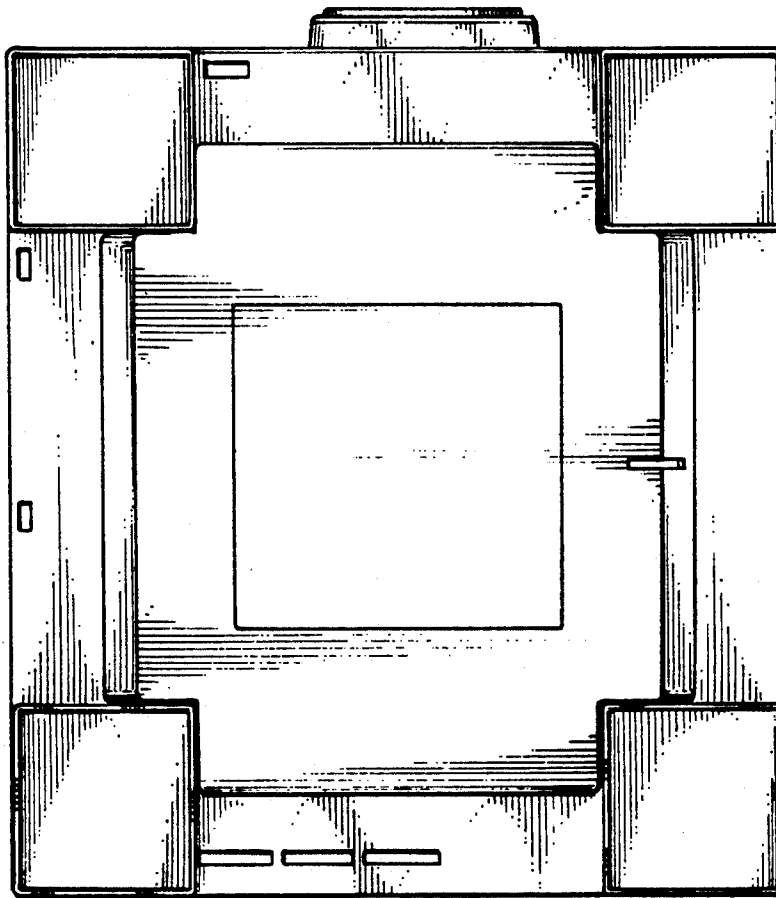


FIG. 6