



(51) International Patent Classification:

E21B 47/12 (2012.01) G01V 8/02 (2006.01)
E21B 49/00 (2006.01) E21B 3/00 (2006.01)

(21) International Application Number:

PCT/NO2012/050256

(22) International Filing Date:

27 December 2012 (27.12.2012)

(25) Filing Language:

English

(26) Publication Language:

English

(30) Priority Data:

NO20111781 30 December 2011 (30.12.2011) NO
61/581,701 30 December 2011 (30.12.2011) US

(71) Applicant: **DET NORSKE OLJESELSKAP AS**
[NO/NO]; P.O. Box 2070 Vika, N-0125 Oslo (NO).

(72) Inventor: **SAASEN, Arild**; Gruveveien 3, N-3400 Lier (NO).

(74) Agent: **FLUGES PATENT AS**; Postboks 27, N-1629 Gamle Fredrikstad (NO).

(81) Designated States (unless otherwise indicated, for every kind of national protection available): AE, AG, AL, AM, AO, AT, AU, AZ, BA, BB, BG, BH, BN, BR, BW, BY,

BZ, CA, CH, CL, CN, CO, CR, CU, CZ, DE, DK, DM, DO, DZ, EC, EE, EG, ES, FI, GB, GD, GE, GH, GM, GT, HN, HR, HU, ID, IL, IN, IS, JP, KE, KG, KM, KN, KP, KR, KZ, LA, LC, LK, LR, LS, LT, LU, LY, MA, MD, ME, MG, MK, MN, MW, MX, MY, MZ, NA, NG, NI, NO, NZ, OM, PA, PE, PG, PH, PL, PT, QA, RO, RS, RU, RW, SC, SD, SE, SG, SK, SL, SM, ST, SV, SY, TH, TJ, TM, TN, TR, TT, TZ, UA, UG, US, UZ, VC, VN, ZA, ZM, ZW.

(84) Designated States (unless otherwise indicated, for every kind of regional protection available): ARIPO (BW, GH, GM, KE, LR, LS, MW, MZ, NA, RW, SD, SL, SZ, TZ, UG, ZM, ZW), Eurasian (AM, AZ, BY, KG, KZ, RU, TJ, TM), European (AL, AT, BE, BG, CH, CY, CZ, DE, DK, EE, ES, FI, FR, GB, GR, HR, HU, IE, IS, IT, LT, LU, LV, MC, MK, MT, NL, NO, PL, PT, RO, RS, SE, SI, SK, SM, TR), OAPI (BF, BJ, CF, CG, CI, CM, GA, GN, GQ, GW, ML, MR, NE, SN, TD, TG).

Published:

- with international search report (Art. 21(3))
- before the expiration of the time limit for amending the claims and to be republished in the event of receipt of amendments (Rule 48.2(h))

[Continued on next page]

(54) Title: A BOREHOLE INSTRUMENT SYSTEM FOR RAMAN SCATTERING

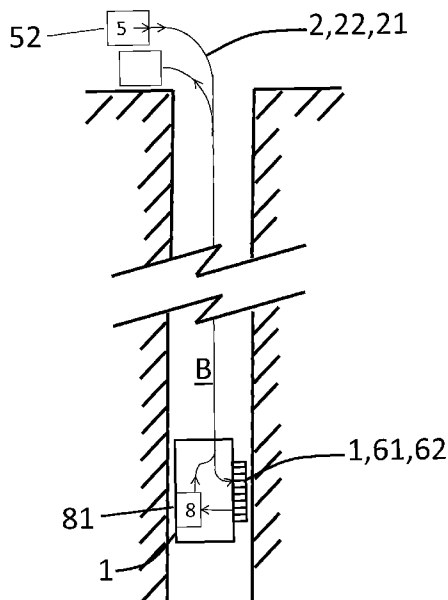


Fig. 3

(57) Abstract: The invention is a borehole instrument system comprising a housing (1) in a borehole (B), the housing (1) provided with an optical window (6, 61) for guiding a low-energy laser beam (L) induced in a laser (5) towards a borehole wall (w), and a lens (6, 62) for collecting Raman scattered light (R) induced by the laser beam (L) and transmitting the Raman scattered light (R) to a Raman detector (8), said Raman scattered light for use for identifying at least one mineral of said borehole wall.



(88) Date of publication of the international search report:
20 March 2014

INTERNATIONAL SEARCH REPORT

International application No
PCT/N02012/050256

A. CLASSIFICATION OF SUBJECT MATTER INV. E21B47/12 E21B49/00 G01V8/02 E21B23/00 ADD.		
According to International Patent Classification (IPC) or to both national classification and IPC		
B. FIELDS SEARCHED Minimum documentation searched (classification system followed by classification symbols) G01V E21B		
Documentation searched other than minimum documentation to the extent that such documents are included in the fields searched		
Electronic data base consulted during the international search (name of data base and, where practicable, search terms used) EPO-Internal, WPI Data		
C. DOCUMENTS CONSIDERED TO BE RELEVANT		
Category*	Citation of document, with indication, where appropriate, of the relevant passages	Relevant to claim No.
X	WO 01/77628 A1 (WELLD OG INC [US]; POPE JOHN [US]; HERRIES JOHN [US]) 18 October 2001 (2001-10-18)	1-3,8
Y	page 7, lines 10-14 page 9, lines 2-5 page 13, line 16 - page 14, line 5 page 14, line 25 - page 15, line 11 page 17, lines 5-14 page 19, lines 8-12 claim 12 figures 1,2,6 ----- -/--	4-7,9-12
<input checked="" type="checkbox"/> Further documents are listed in the continuation of Box C. <input checked="" type="checkbox"/> See patent family annex.		
* Special categories of cited documents :		
"A" document defining the general state of the art which is not considered to be of particular relevance "E" earlier application or patent but published on or after the international filing date "L" document which may throw doubts on priority claim(s) or which is cited to establish the publication date of another citation or other special reason (as specified) "O" document referring to an oral disclosure, use, exhibition or other means "P" document published prior to the international filing date but later than the priority date claimed	"T" later document published after the international filing date or priority date and not in conflict with the application but cited to understand the principle or theory underlying the invention "X" document of particular relevance; the claimed invention cannot be considered novel or cannot be considered to involve an inventive step when the document is taken alone "Y" document of particular relevance; the claimed invention cannot be considered to involve an inventive step when the document is combined with one or more other such documents, such combination being obvious to a person skilled in the art "&" document member of the same patent family	
Date of the actual completion of the international search <p style="text-align: center;">23 January 2014</p>	Date of mailing of the international search report <p style="text-align: center;">29/01/2014</p>	
Name and mailing address of the ISA/ European Patent Office, P.B. 5818 Patentlaan 2 NL - 2280 HV Rijswijk Tel. (+31-70) 340-2040, Fax: (+31-70) 340-3016	Authorized officer <p style="text-align: center;">Mirkovic, Olinka</p>	

INTERNATIONAL SEARCH REPORT

International application No

PCT/N02012/050256

C(Continuation). DOCUMENTS CONSIDERED TO BE RELEVANT

Category*	Citation of document, with indication, where appropriate, of the relevant passages	Relevant to claim No.
X	US 3 371 574 A (DWYER ROBERT J) 5 March 1968 (1968-03-05) column 1, lines 12-20 column 2, lines 30-32,39-41,48-51,58-59,62-69 column 3, lines 1-5 figure 2	1,2,8
Y	----- US 7 769 260 B2 (HENSON HENNING [ES] ET AL HANSEN HENNING [ES] ET AL) 3 August 2010 (2010-08-03) column 2, lines 51-57 column 3, lines 3-4,15-18	4
Y	----- US 2007/171414 A1 (VANNUFFELEN STEPHANE [JP] ET AL) 26 July 2007 (2007-07-26) paragraphs [0045], [0065], [0073]	5,6,9-12
Y	----- US 7 093 673 B2 (STOKKA SIGMUND [NO]) 22 August 2006 (2006-08-22) abstract column 1, line 56 - column 2, line 3 column 2, lines 31-34 column 4, lines 39-44 -----	7

INTERNATIONAL SEARCH REPORT

Information on patent family members

International application No

PCT/NO2012/050256

Patent document cited in search report	Publication date	Patent family member(s)	Publication date
WO 0177628	A1	18-10-2001	AU 5528201 A 23-10-2001
			AU 2001255282 B2 14-07-2005
			CA 2403941 A1 18-10-2001
			CN 1423745 A 11-06-2003
			EP 1290416 A1 12-03-2003
			PL 365462 A1 10-01-2005
			US 2003048450 A1 13-03-2003
			US 2004061858 A1 01-04-2004
			US 2011036146 A1 17-02-2011
			WO 0177628 A1 18-10-2001

US 3371574	A	05-03-1968	NONE

US 7769260	B2	03-08-2010	AT 462062 T 15-04-2010
			BR PI0512762 A 08-04-2008
			CA 2572703 A1 12-01-2006
			DK 1766180 T3 19-07-2010
			EP 1766180 A2 28-03-2007
			US 2009260834 A1 22-10-2009
			WO 2006003477 A2 12-01-2006

US 2007171414	A1	26-07-2007	CA 2640103 A1 02-08-2007
			CN 101384887 A 11-03-2009
			GB 2448272 A 08-10-2008
			JP 5198287 B2 15-05-2013
			JP 2009524814 A 02-07-2009
			US 2007171414 A1 26-07-2007
			WO 2007085936 A1 02-08-2007

US 7093673	B2	22-08-2006	AU 9440901 A 25-02-2002
			NO 20003416 A 31-12-2001
			US 2004011558 A1 22-01-2004
			WO 0214644 A2 21-02-2002
