



US00D720923S

(12) **United States Design Patent**
Hadden

(10) **Patent No.:** **US D720,923 S**

(45) **Date of Patent:** **** Jan. 13, 2015**

(54) **BOTTLE**

(71) Applicant: **Jeffrey James Hadden**, Gretna, NE
(US)

(72) Inventor: **Jeffrey James Hadden**, Gretna, NE
(US)

(**) Term: **14 Years**

(21) Appl. No.: **29/481,965**

(22) Filed: **Feb. 12, 2014**

(51) **LOC (10) Cl.** **09-02**

(52) **U.S. Cl.**
USPC **D3/202**

(58) **Field of Classification Search**
USPC D3/202, 215; 224/148.1, 148.7;
D9/522-523, 528, 530, 575, 694, 763;
D7/605

See application file for complete search history.

(56) **References Cited**

U.S. PATENT DOCUMENTS

D293,294 S * 12/1987 Fujiyama D7/605
D413,432 S * 9/1999 Much D3/202

D443,980 S * 6/2001 Stewart D3/202
D488,919 S * 4/2004 Hurlbut D3/202
D521,230 S * 5/2006 Linz et al. D3/202
D562,138 S * 2/2008 Warner D9/522
D598,644 S * 8/2009 Solari et al. D3/202
D653,847 S * 2/2012 Seals D3/202
D673,855 S * 1/2013 Burgeson D9/522
D702,433 S * 4/2014 Romley D3/202

* cited by examiner

Primary Examiner — Catheri Oliver-Garcia

(74) *Attorney, Agent, or Firm* — Baird Holm LLP; Jeff M. Anderson; Y. Kamaal Patterson

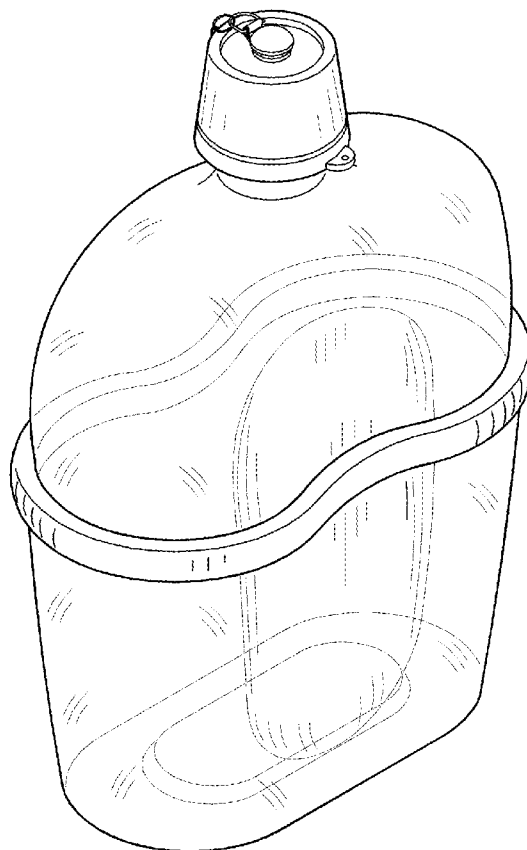
(57) **CLAIM**

The ornamental design for a bottle, as shown and described.

DESCRIPTION

FIG. 1 is a perspective view of a bottle.
FIG. 2 is a top view of the bottle of FIG. 1.
FIG. 3 is a front view of the bottle of FIG. 1;
FIG. 4 is a side view of the bottle of FIG. 1;
FIG. 5 is a rear view of the bottle of FIG. 1;
FIG. 6 is an opposite side view of the bottle of FIG. 1; and,
FIG. 7 is a bottom view of the bottle of FIG. 1.

1 Claim, 4 Drawing Sheets



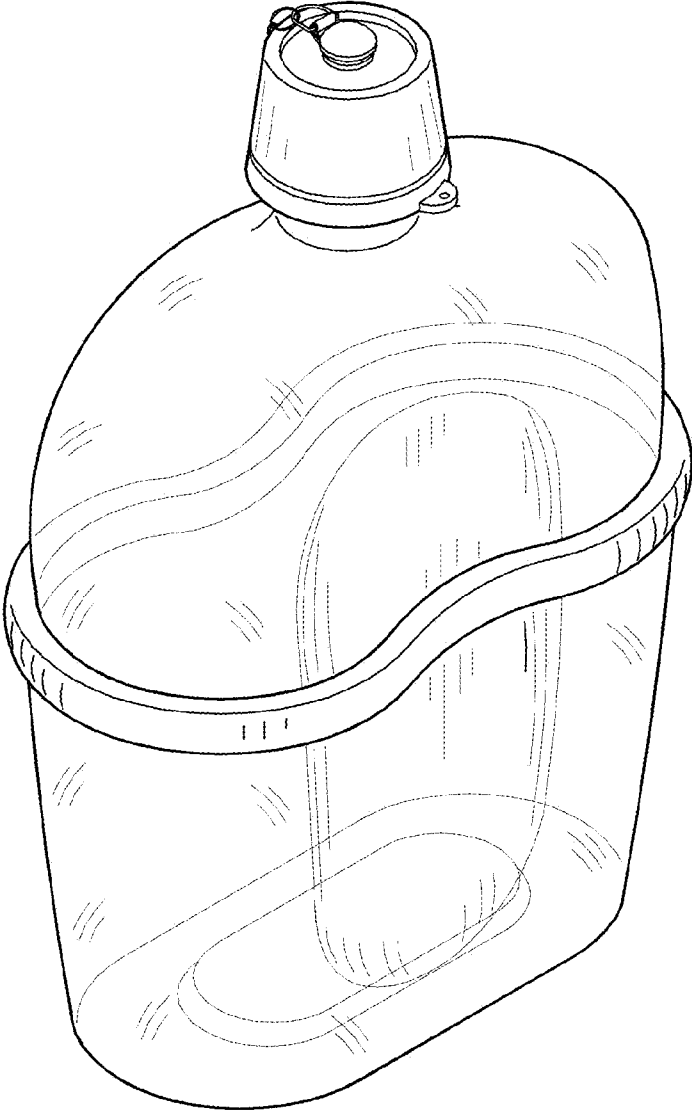


FIG. 1

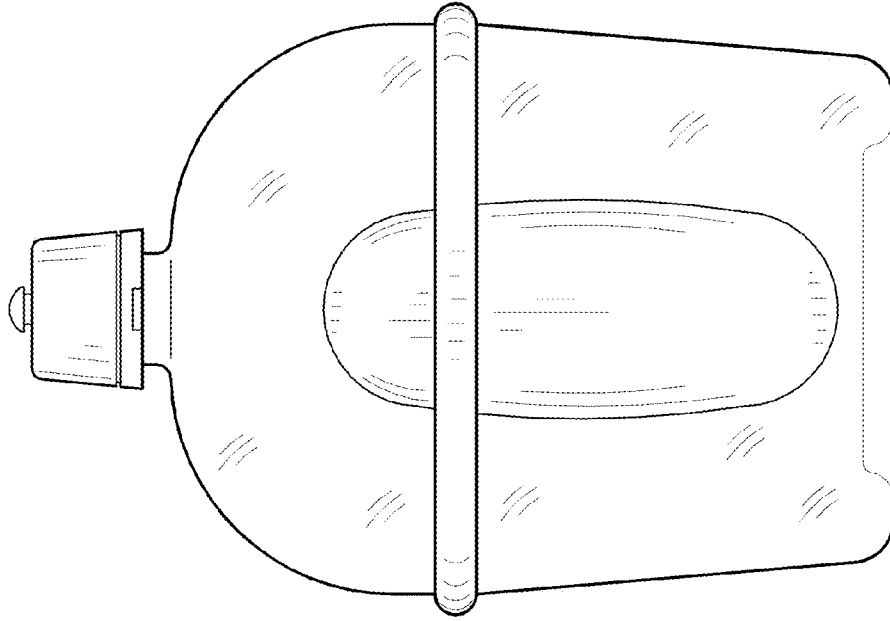


FIG. 3

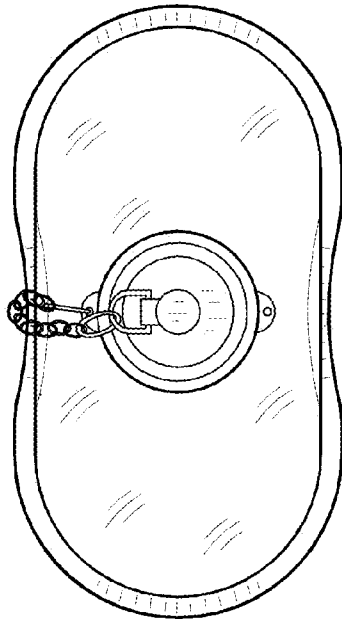


FIG. 2

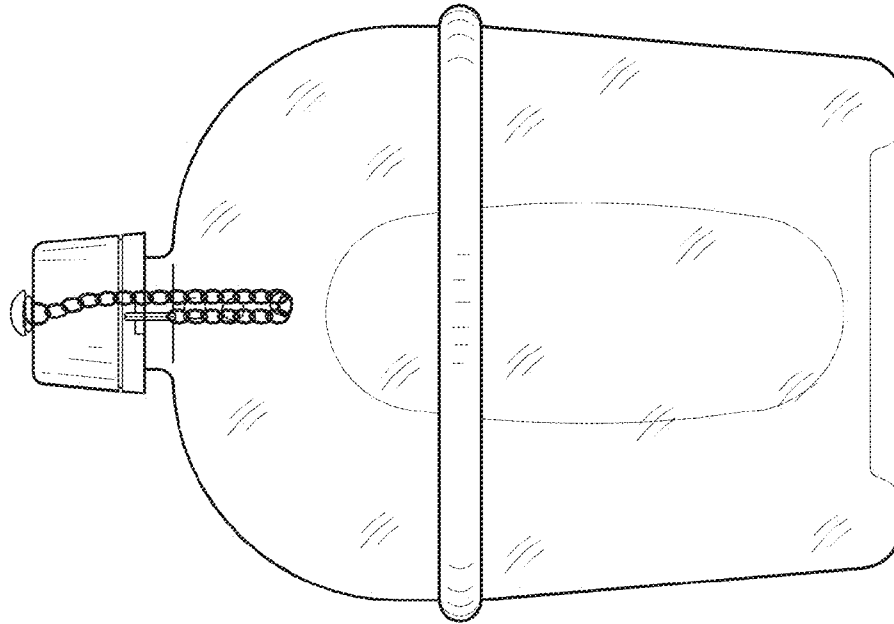


FIG. 5

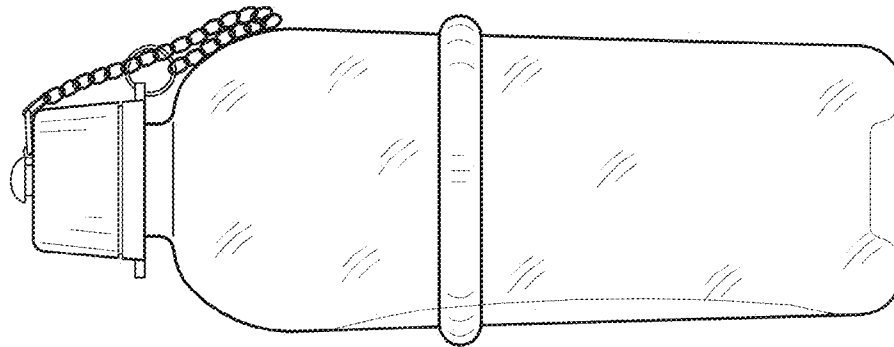


FIG. 4

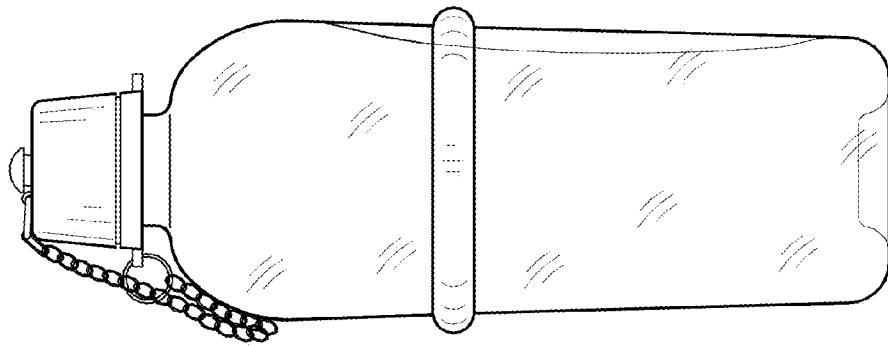


FIG. 6

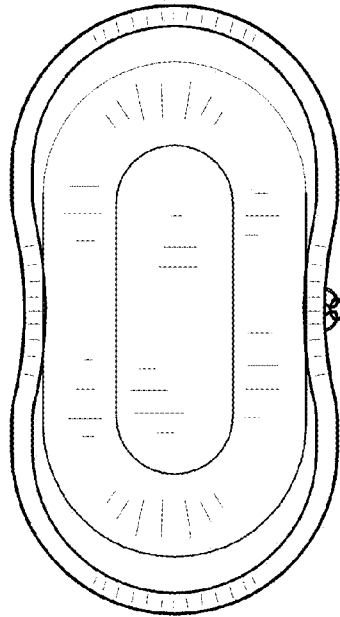


FIG. 7