



US00D893285S

(12) **United States Design Patent**
Lagnese, Sr.

(10) **Patent No.:** **US D893,285 S**
(45) **Date of Patent:** **** Aug. 18, 2020**

- (54) **MOUNT APPARATUS**
- (71) Applicant: **John G. Lagnese, Sr.**, Middletown, MD (US)
- (72) Inventor: **John G. Lagnese, Sr.**, Middletown, MD (US)
- (73) Assignee: **Bup Labs, LLC**, Middletown, MD (US)
- (**) Term: **15 Years**
- (21) Appl. No.: **29/678,102**
- (22) Filed: **Jan. 25, 2019**
- (51) **LOC (12) Cl.** **09-06**
- (52) **U.S. Cl.**
USPC **D8/356; D8/354**
- (58) **Field of Classification Search**
USPC D8/356, 354, 349; 361/826; 248/221.11
CPC A63B 29/00; A63B 27/00; B63B 59/02;
B63B 21/045; H05K 5/0247
See application file for complete search history.

D321,471	S *	11/1991	Stumpf	D8/381
5,167,353	A	12/1992	Hughes	
D368,932	S *	4/1996	Mussalo	D19/100
5,634,619	A *	6/1997	Alessi	A47B 57/565
					248/219.3
D399,727	S *	10/1998	Richter	D8/380
5,884,695	A *	3/1999	Brownlee	F22B 37/107
					122/DIG. 13
D430,005	S *	8/2000	Stearns	D8/380
D436,399	S *	1/2001	Poland	D23/322
D436,522	S *	1/2001	Neider	D8/380
6,367,832	B1	4/2002	Vogel	
6,431,422	B1	8/2002	Moore	
6,431,500	B1 *	8/2002	Jacobs	F16L 3/13
					24/129 R
6,712,376	B2	3/2004	Eberhardt	
D490,692	S *	6/2004	Williams	D8/356
D498,136	S *	11/2004	Parker	D8/323
D521,851	S *	5/2006	Smart	D8/354
7,293,900	B1	11/2007	Lee	
7,431,393	B1	10/2008	Huang	

(Continued)

Primary Examiner — Cynthia R Underwood
(74) *Attorney, Agent, or Firm* — Leveque IP Law, P.C.

(57) **CLAIM**

What is claimed is the ornamental design for a mount apparatus, as shown and described.

DESCRIPTION

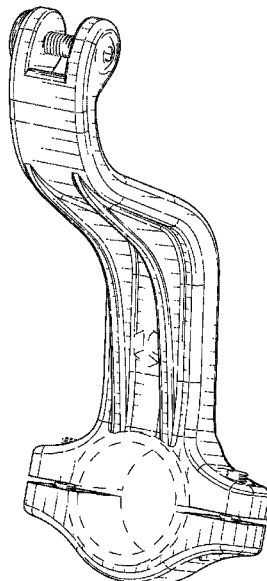
FIG. 1 is a front perspective view of a design for a mount apparatus;
FIG. 2 is a front view thereof;
FIG. 3 is a rear view thereof;
FIG. 4 is a left-side view thereof;
FIG. 5 is a right-side view thereof;
FIG. 6 is a top view thereof; and,
FIG. 7 is a bottom view thereof.
The broken lines represent portions of the structure that forms no part of the claim.

1 Claim, 7 Drawing Sheets

(56) **References Cited**

U.S. PATENT DOCUMENTS

585,518	A	6/1897	Tufford		
597,947	A	1/1898	Bragger		
625,944	A	5/1899	White et al.		
650,211	A	5/1900	Wirth		
663,121	A	12/1900	Frost		
2,905,743	A *	9/1959	Sylvester	H01B 17/16
					174/73.1
4,114,241	A *	9/1978	Bisping	F16L 3/13
					403/188
4,403,759	A *	9/1983	Hicks	F16L 3/18
					248/55
4,722,500	A *	2/1988	Bray	F16L 3/00
					138/106
4,966,382	A	10/1990	Giles		



US D893,285 S

(56)	References Cited	
	U.S. PATENT DOCUMENTS	
D618,985 S *	7/2010 Sjoqvist D8/356	2006/0131469 A1* 6/2006 Roy F16L 3/02 248/346.03
7,815,156 B2	10/2010 Yang	2007/0160364 A1 7/2007 Peika
D629,286 S *	12/2010 Laskowski D8/356	2007/0247858 A1 10/2007 Ford
8,261,954 B2	9/2012 Lee	2008/0054143 A1* 3/2008 Collins F16L 3/02 248/227.2
8,348,296 B2	1/2013 Taiga	2008/0121763 A1* 5/2008 Mori H02G 3/32 248/68.1
D685,624 S *	7/2013 Van Der Blom D8/356	2008/0251555 A1 10/2008 Andrews
D693,731 S *	11/2013 Dunn D11/184	2009/0039125 A1 2/2009 Bock
D704,535 S *	5/2014 Burda D8/356	2009/0071992 A1 3/2009 Franz
8,720,758 B2	5/2014 Angeli	2010/0059638 A1 3/2010 Taiga
8,769,837 B2	7/2014 Min	2010/0084521 A1 4/2010 Cases
D713,947 S *	9/2014 Jensen D23/322	2010/0127030 A1 5/2010 Muhlberger
D715,623 S *	10/2014 Holtby D8/356	2010/0132167 A1 6/2010 Ueda
8,910,803 B2*	12/2014 Holtby F16L 1/0246 211/70.4	2010/0225459 A1 9/2010 Lee
8,998,048 B1	4/2015 Wu	2010/0264184 A1 10/2010 Retief
D738,711 S *	9/2015 Tally D8/380	2014/0157944 A1 6/2014 Galstad
D741,151 S *	10/2015 Iseminger D8/356	2014/0252188 A1 9/2014 Webster
9,186,691 B2	11/2015 Carrozza	2014/0263509 A1 9/2014 Oquendo
D756,759 S *	5/2016 Atkins D8/381	2015/0183478 A1 7/2015 Tate
D758,834 S *	6/2016 Tally D8/380	2015/0329163 A1 11/2015 Lee
9,359,032 B2	6/2016 Freiser	2016/0014377 A1 1/2016 Fiegert
D767,796 S *	9/2016 Kinsman D25/133	2016/0031508 A1 2/2016 Battigello
D779,585 S *	2/2017 Dedrick D17/20	2016/0221715 A1* 8/2016 Pratt B65D 19/44
9,638,387 B2	5/2017 Hollingworth	2017/0168375 A1 6/2017 Lajoie
D793,213 S *	8/2017 Heymann D8/380	2017/0297643 A1 10/2017 Chuang
D824,749 S *	8/2018 Wright D8/354	2017/0313374 A1 11/2017 Chen
D829,809 S *	10/2018 Harrison D16/245	2017/0334498 A1 11/2017 Yu
D837,638 S *	1/2019 Sargent D8/380	2018/0037285 A1 2/2018 Chuang
D856,119 S *	8/2019 McGugan D8/356	2018/0111654 A1 4/2018 Emerson
2003/0106919 A1	6/2003 Chuang	2018/0127042 A1 5/2018 Kerbel
		2018/0170469 A1 6/2018 Zheng

* cited by examiner

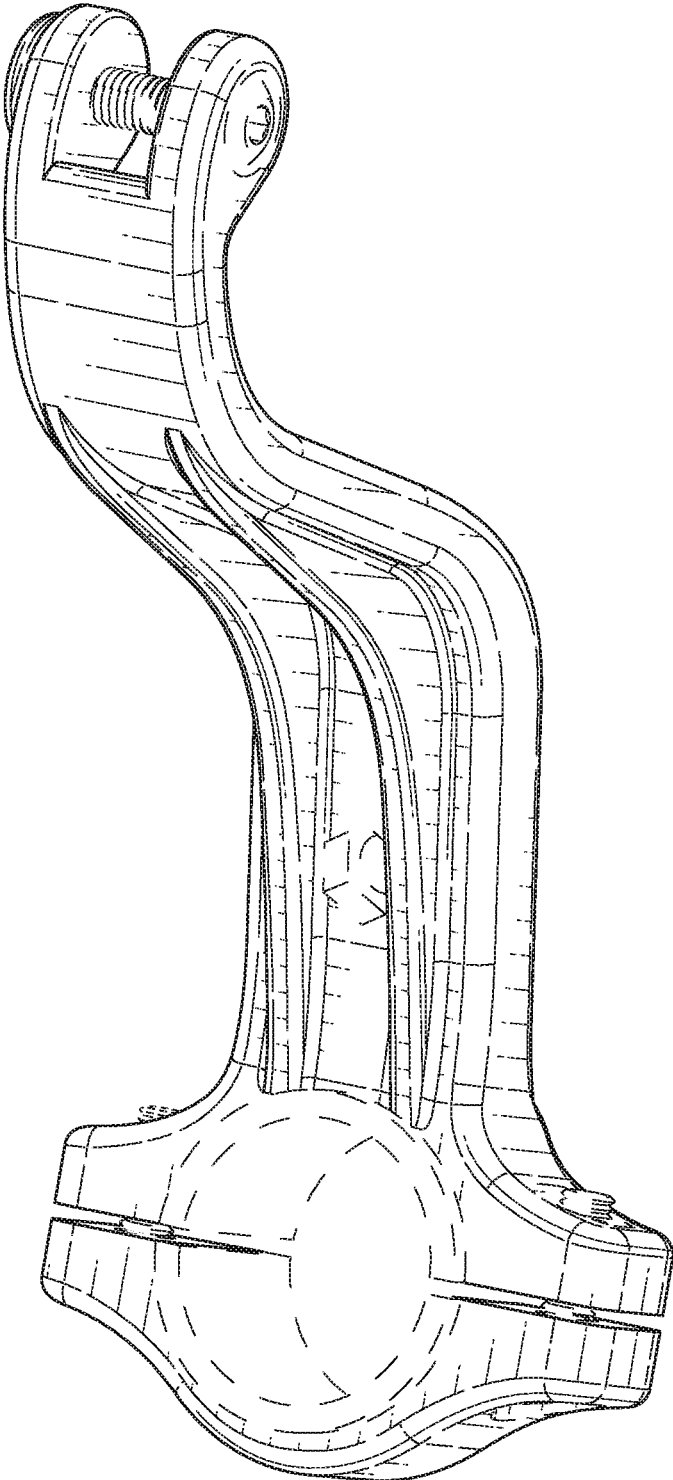


FIG. 1

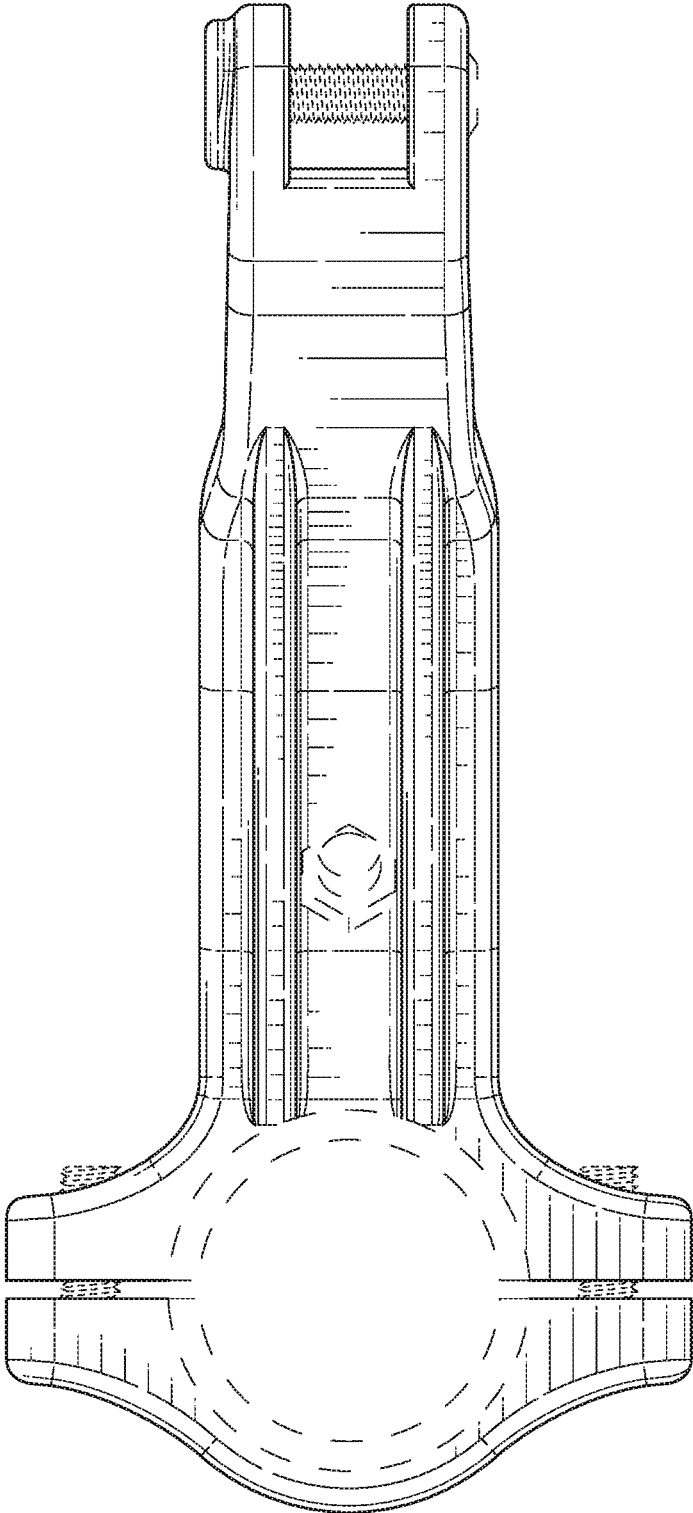


FIG. 2

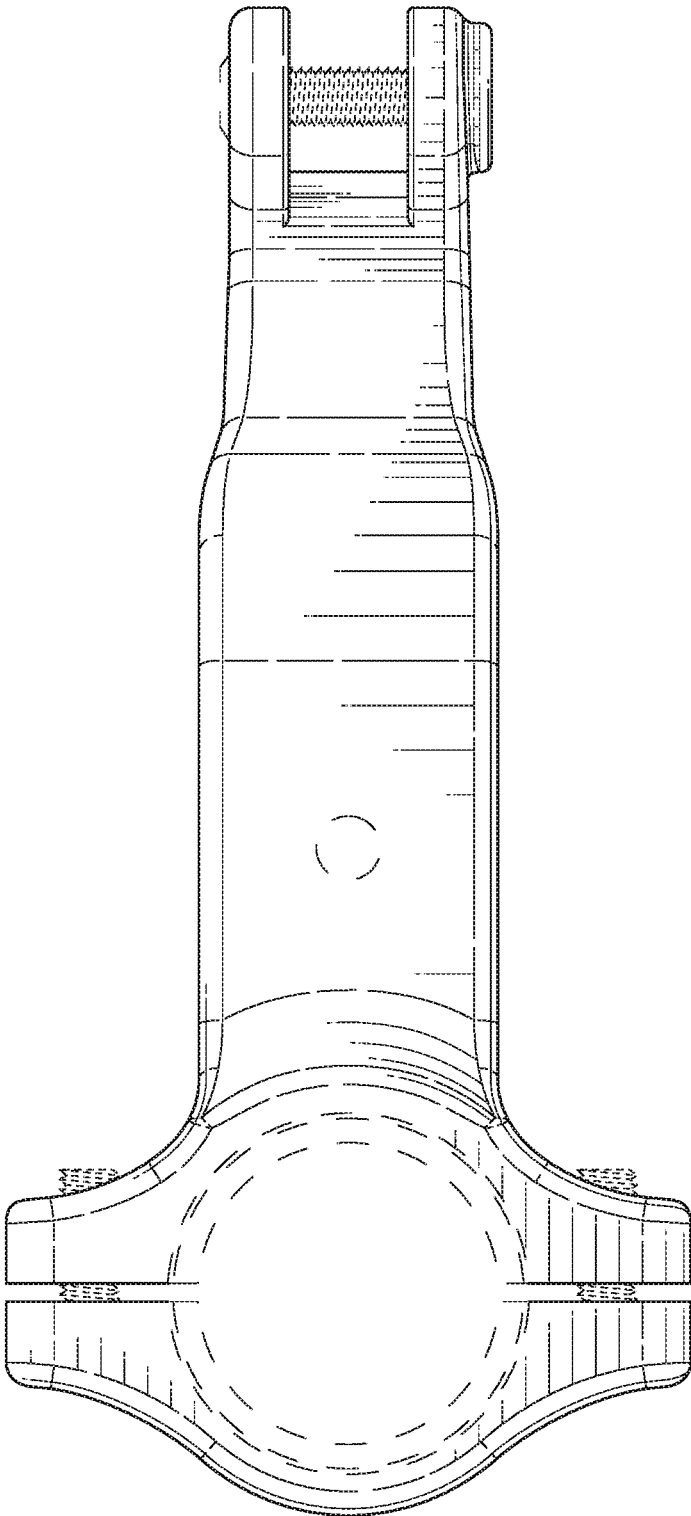


FIG. 3

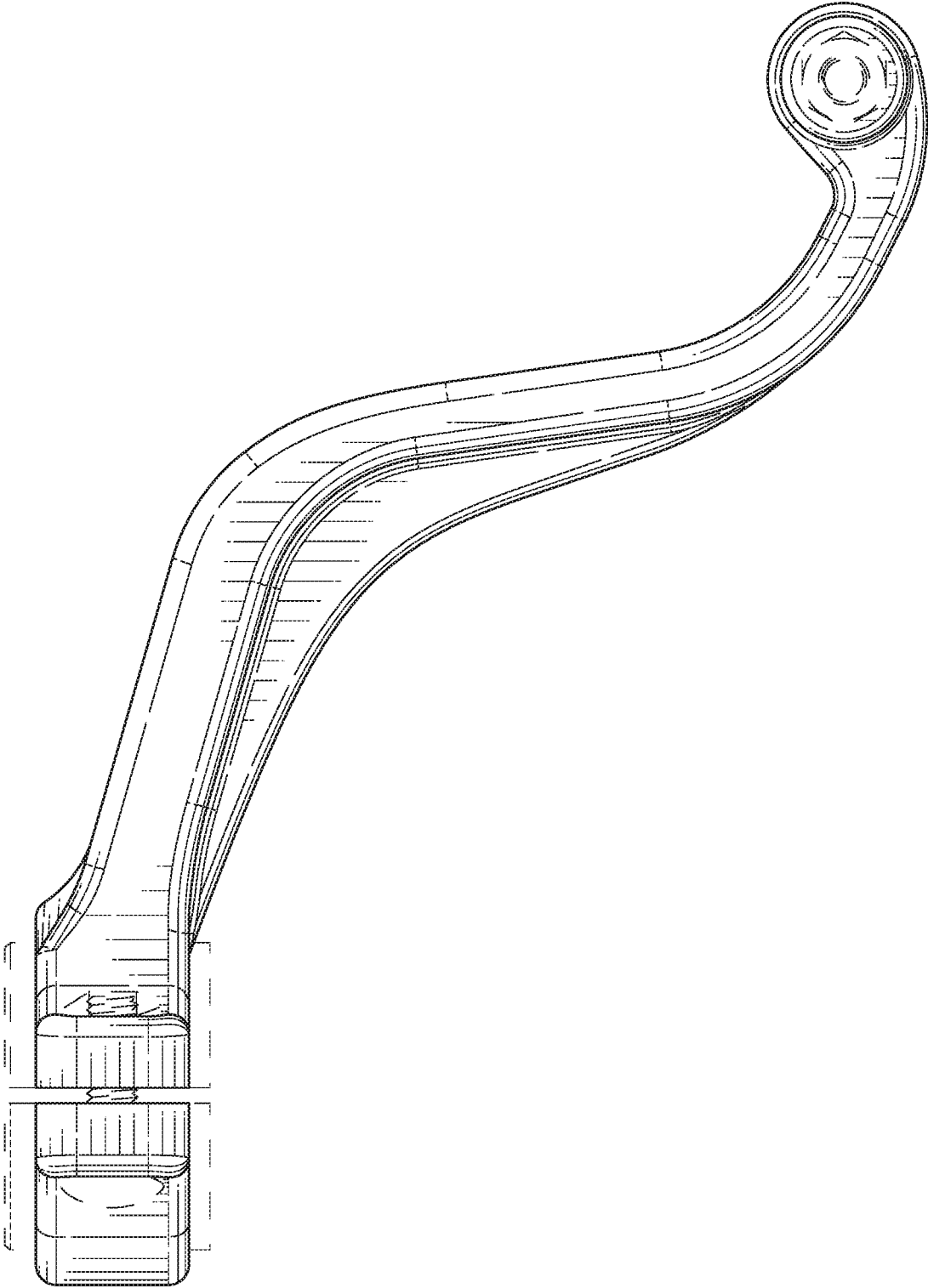


FIG. 4

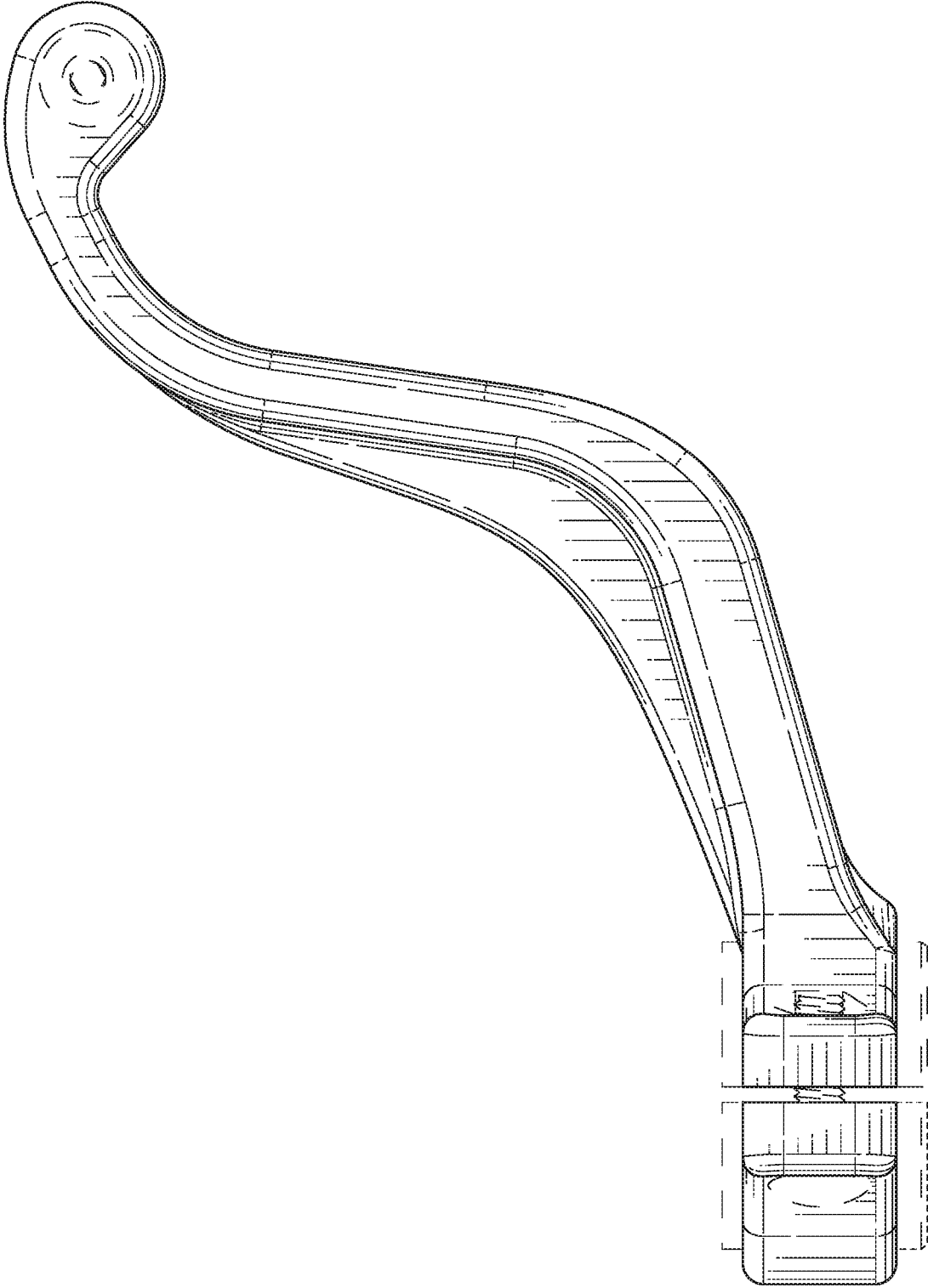


FIG. 5

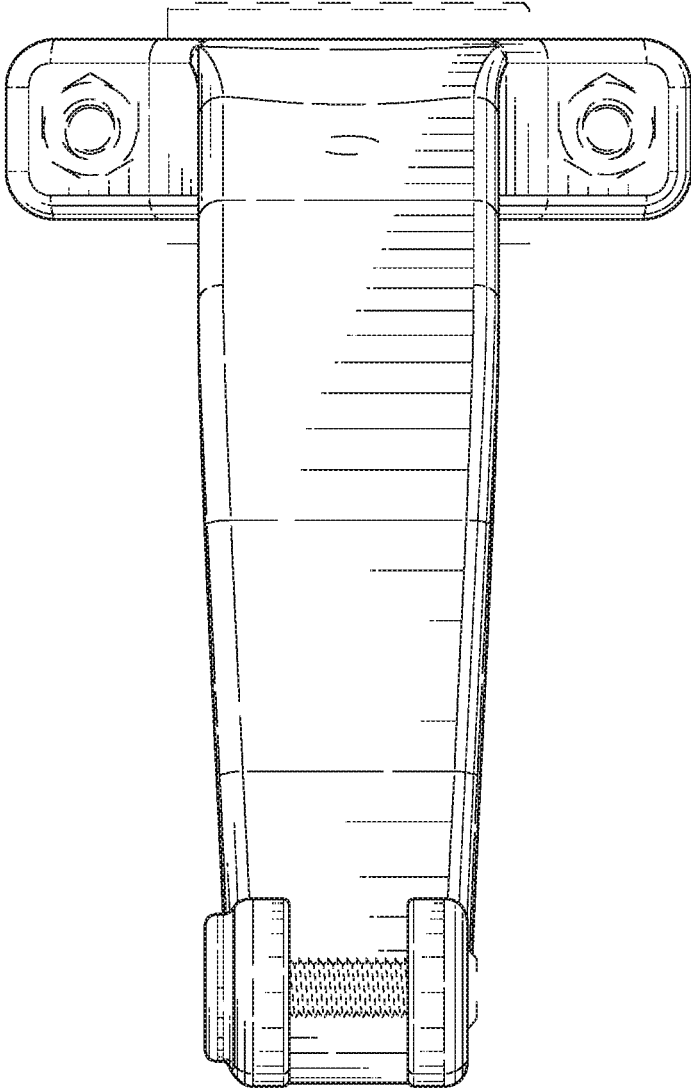


FIG. 6

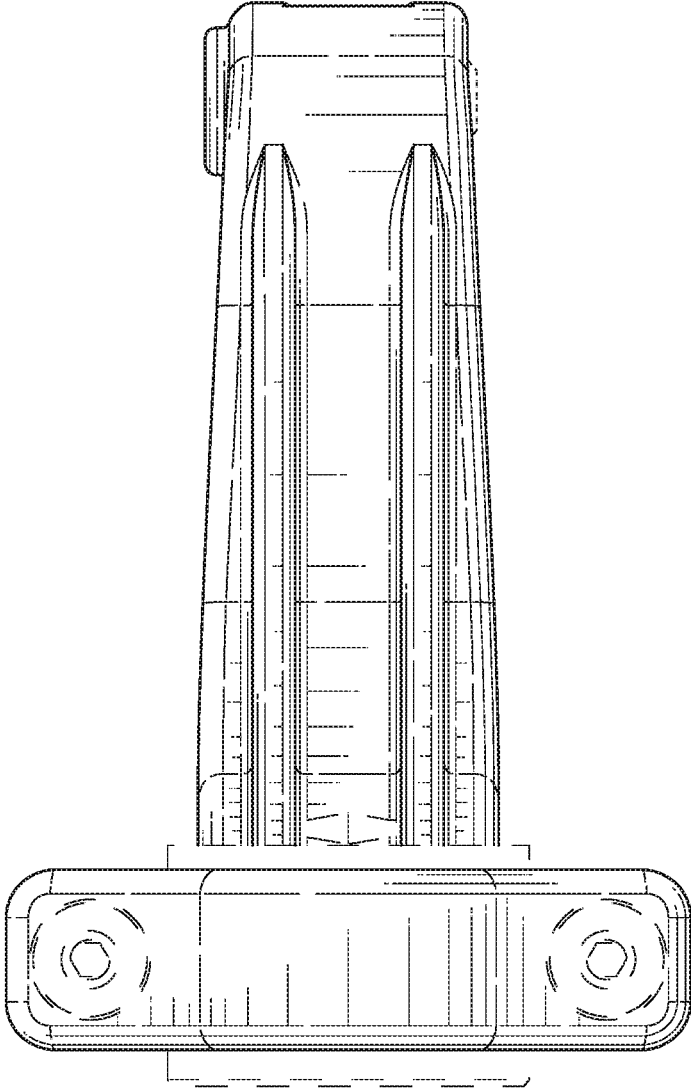


FIG. 7