

(19) World Intellectual Property
Organization
International Bureau



(43) International Publication Date
29 April 2004 (29.04.2004)

PCT

(10) International Publication Number
WO 2004/035341 A3

(51) International Patent Classification⁷: F16H 13/08

(21) International Application Number:
PCT/US2003/032707

(22) International Filing Date: 16 October 2003 (16.10.2003)

(25) Filing Language: English

(26) Publication Language: English

(30) Priority Data:
60/418,825 16 October 2002 (16.10.2002) US
60/450,216 25 February 2003 (25.02.2003) US

(71) Applicant: SYNKINETICS, INC. [US/US]; 2 Industrial Avenue, Lowell, MA 01851 (US).

(72) Inventors: FOLINO, Frank, A.; 17 Indian Hill Lane, Salem, MA 01970 (US). MCCLELLAND, John, M.; c/o Synkinetics, Inc., 2 Industrial Avenue, Lowell, MA 01851 (US).

(74) Agents: COHEN, Jerry et al.; Perkins, Smith & Cohen, LLP, One Beacon Street, Boston, MA 02108 (US).

(81) Designated States (national): AE, AG, AL, AM, AT, AU, AZ, BA, BB, BG, BR, BY, BZ, CA, CH, CN, CO, CR, CU,

CZ, DE, DK, DM, DZ, EC, EE, ES, FI, GB, GD, GE, GH, GM, HR, HU, ID, IL, IN, IS, JP, KE, KG, KP, KR, KZ, LC, LK, LR, LS, LT, LU, LV, MA, MD, MG, MK, MN, MW, MX, MZ, NI, NO, NZ, OM, PG, PH, PL, PT, RO, RU, SC, SD, SE, SG, SK, SL, SY, TJ, TM, TN, TR, TT, TZ, UA, UG, UZ, VC, VN, YU, ZA, ZM, ZW.

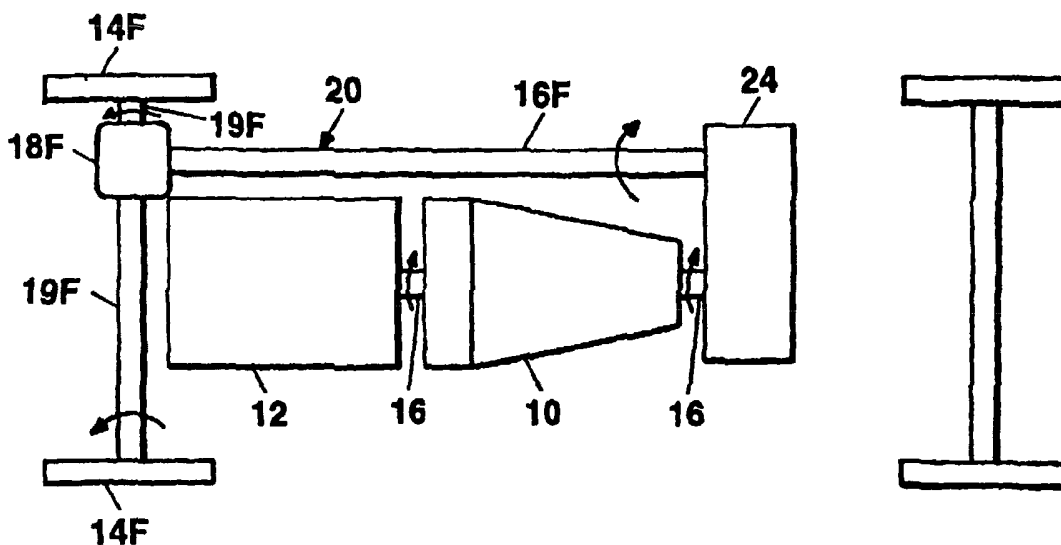
(84) Designated States (regional): ARIPO patent (GH, GM, KE, LS, MW, MZ, SD, SL, SZ, TZ, UG, ZM, ZW), Eurasian patent (AM, AZ, BY, KG, KZ, MD, RU, TJ, TM), European patent (AT, BE, BG, CH, CY, CZ, DE, DK, EE, ES, FI, FR, GB, GR, HU, IE, IT, LU, MC, NL, PT, RO, SE, SI, SK, TR), OAPI patent (BF, BJ, CF, CG, CI, CM, GA, GN, GQ, GW, ML, MR, NE, SN, TD, TG).

Published:
— with international search report
— before the expiration of the time limit for amending the claims and to be republished in the event of receipt of amendments

(88) Date of publication of the international search report:
9 December 2004

For two-letter codes and other abbreviations, refer to the "Guidance Notes on Codes and Abbreviations" appearing at the beginning of each regular issue of the PCT Gazette.

(54) Title: MULTI-SPEED RATIO APPARATUS TO CONTROL SHAFT OUTPUT



(57) Abstract: A multi-speed ratio apparatus (24) to control output for use either as a module connected to a transmission (10) or as a stand alone transmission (10).

WO 2004/035341 A3

INTERNATIONAL SEARCH REPORT

International application No.

PCT/US03/32707

<p>A. CLASSIFICATION OF SUBJECT MATTER IPC(7) : F16H 13/08 US CL : 475/168, 183, 196; 74/63, 650; 745; 476/18, 36 According to International Patent Classification (IPC) or to both national classification and IPC</p>												
<p>B. FIELDS SEARCHED</p> <p>Minimum documentation searched (classification system followed by classification symbols) U.S. : 475/168, 183, 196; 74/63, 650; 745; 476/18, 36</p> <p>Documentation searched other than minimum documentation to the extent that such documents are included in the fields searched</p> <p>Electronic data base consulted during the international search (name of data base and, where practicable, search terms used)</p>												
<p>C. DOCUMENTS CONSIDERED TO BE RELEVANT</p> <table border="1"> <thead> <tr> <th>Category *</th> <th>Citation of document, with indication, where appropriate, of the relevant passages</th> <th>Relevant to claim No.</th> </tr> </thead> <tbody> <tr> <td>A</td> <td>US 6,270,442 B1 (FOLINO et al) 07 August 2001 (07.08.2001), column 12, Fig. 10.</td> <td>1-56</td> </tr> <tr> <td>A</td> <td>US 6,314,826 B1 (CUNNINGHAM et al) 13 November 2001 (13.11.2001), columns 4-5, Fig. 1C.</td> <td>1-56</td> </tr> </tbody> </table>			Category *	Citation of document, with indication, where appropriate, of the relevant passages	Relevant to claim No.	A	US 6,270,442 B1 (FOLINO et al) 07 August 2001 (07.08.2001), column 12, Fig. 10.	1-56	A	US 6,314,826 B1 (CUNNINGHAM et al) 13 November 2001 (13.11.2001), columns 4-5, Fig. 1C.	1-56	
Category *	Citation of document, with indication, where appropriate, of the relevant passages	Relevant to claim No.										
A	US 6,270,442 B1 (FOLINO et al) 07 August 2001 (07.08.2001), column 12, Fig. 10.	1-56										
A	US 6,314,826 B1 (CUNNINGHAM et al) 13 November 2001 (13.11.2001), columns 4-5, Fig. 1C.	1-56										
<p><input type="checkbox"/> Further documents are listed in the continuation of Box C. <input type="checkbox"/> See patent family annex.</p>												
<p>* Special categories of cited documents:</p> <table border="0"> <tr> <td>"A" document defining the general state of the art which is not considered to be of particular relevance</td> <td>"T" later document published after the international filing date or priority date and not in conflict with the application but cited to understand the principle or theory underlying the invention</td> </tr> <tr> <td>"E" earlier application or patent published on or after the international filing date</td> <td>"X" document of particular relevance; the claimed invention cannot be considered novel or cannot be considered to involve an inventive step when the document is taken alone</td> </tr> <tr> <td>"L" document which may throw doubts on priority claim(s) or which is cited to establish the publication date of another citation or other special reason (as specified)</td> <td>"Y" document of particular relevance; the claimed invention cannot be considered to involve an inventive step when the document is combined with one or more other such documents, such combination being obvious to a person skilled in the art</td> </tr> <tr> <td>"O" document referring to an oral disclosure, use, exhibition or other means</td> <td>"&" document member of the same patent family</td> </tr> <tr> <td>"P" document published prior to the international filing date but later than the priority date claimed</td> <td></td> </tr> </table>			"A" document defining the general state of the art which is not considered to be of particular relevance	"T" later document published after the international filing date or priority date and not in conflict with the application but cited to understand the principle or theory underlying the invention	"E" earlier application or patent published on or after the international filing date	"X" document of particular relevance; the claimed invention cannot be considered novel or cannot be considered to involve an inventive step when the document is taken alone	"L" document which may throw doubts on priority claim(s) or which is cited to establish the publication date of another citation or other special reason (as specified)	"Y" document of particular relevance; the claimed invention cannot be considered to involve an inventive step when the document is combined with one or more other such documents, such combination being obvious to a person skilled in the art	"O" document referring to an oral disclosure, use, exhibition or other means	"&" document member of the same patent family	"P" document published prior to the international filing date but later than the priority date claimed	
"A" document defining the general state of the art which is not considered to be of particular relevance	"T" later document published after the international filing date or priority date and not in conflict with the application but cited to understand the principle or theory underlying the invention											
"E" earlier application or patent published on or after the international filing date	"X" document of particular relevance; the claimed invention cannot be considered novel or cannot be considered to involve an inventive step when the document is taken alone											
"L" document which may throw doubts on priority claim(s) or which is cited to establish the publication date of another citation or other special reason (as specified)	"Y" document of particular relevance; the claimed invention cannot be considered to involve an inventive step when the document is combined with one or more other such documents, such combination being obvious to a person skilled in the art											
"O" document referring to an oral disclosure, use, exhibition or other means	"&" document member of the same patent family											
"P" document published prior to the international filing date but later than the priority date claimed												
<p>Date of the actual completion of the international search 20 September 2004 (20.09.2004)</p>		<p>Date of mailing of the international search report 07 OCT 2004</p>										
<p>Name and mailing address of the ISA/US Mail Stop PCT, Attn: ISA/US Commissioner for Patents P.O. Box 1450 Alexandria, Virginia 22313-1450 Facsimile No. (703)305-3230</p>		<p>Authorized officer <i>for Ha Ho P. Voje</i> Telephone No. (703) 305-0738</p>										