



US00D802052S

(12) **United States Design Patent**
Eisen

(10) **Patent No.:** **US D802,052 S**

(45) **Date of Patent:** **** Nov. 7, 2017**

- (54) **SHARPENER**
- (71) Applicant: **EISEN GMBH**, Baiersdorf (DE)
- (72) Inventor: **Stephan Eisen**, Baiersdorf (DE)
- (73) Assignee: **EISEN GMBH**, Baiersdorf (DE)
- (**) Term: **15 Years**
- (21) Appl. No.: **29/600,192**
- (22) Filed: **Apr. 10, 2017**

4,248,283	A	2/1981	Kaye	
4,402,354	A	9/1983	Halpern	
4,506,716	A	3/1985	Hayashi	
5,167,071	A	12/1992	Eisen	
5,774,995	A	7/1998	Ross	
D431,263	S	9/2000	Greenhouse	
6,397,479	B1	6/2002	Luttgens	
D469,809	S	2/2003	Gstalter	
D470,182	S	2/2003	Gstalter	
6,976,314	B2	12/2005	Luttgens	
9,505,551	B2	11/2016	Elliott	
2007/0062049	A1*	3/2007	Kern B43L 23/08 30/451
2007/0172679	A1	7/2007	Luttgens	
2008/0000094	A1*	1/2008	Tong B43L 23/08 30/457

Related U.S. Application Data

- (63) Continuation of application No. 29/549,333, filed on Dec. 21, 2015.
- (51) **LOC (10) Cl.** **19-06**
- (52) **U.S. Cl.**
USPC **D19/73**
- (58) **Field of Classification Search**
USPC D19/72-74, 111; D8/98-100, 103
CPC B43L 23/00; B43L 23/002; B43L 23/004;
B43L 23/006; B43L 23/008; B43L 23/02;
B43L 23/04; B43L 23/06; B43L 23/08;
B43L 23/085
See application file for complete search history.

* cited by examiner

Primary Examiner — Elizabeth Albert
(74) *Attorney, Agent, or Firm* — Troutman Sanders LLP

(57) **CLAIM**

I claim the ornamental design for a sharpener, as shown and described.

DESCRIPTION

FIG. 1 is an upper perspective view of the sharpener showing my new design;
 FIG. 2 is a rotated, upper perspective view of the sharpener shown in FIG. 1;
 FIG. 3 is a rear view of the sharpener shown in FIG. 1;
 FIG. 4 is a left side view of the sharpener shown in FIG. 1;
 FIG. 5 is a right side view of the sharpener shown in FIG. 1;
 FIG. 6 is a top plan view of the sharpener shown in FIG. 1;
 FIG. 7 is a bottom plan view of the sharpener shown in FIG. 1; and,
 FIG. 8 is a lower perspective view of the sharpener shown in FIG. 1.

(56) **References Cited**

U.S. PATENT DOCUMENTS

359,026	A	3/1887	McKinnon
1,479,921	A	1/1924	Miller
1,560,291	A	11/1925	Egon
1,719,714	A	7/1929	Miller
1,844,729	A	2/1932	Wells
2,039,687	A	5/1936	Johannes et al.
2,642,044	A	6/1953	Mussguller
3,097,629	A	7/1963	Fleming et al.
4,066,109	A	1/1978	Narang et al.
4,158,912	A	6/1979	Erdmann

1 Claim, 7 Drawing Sheets

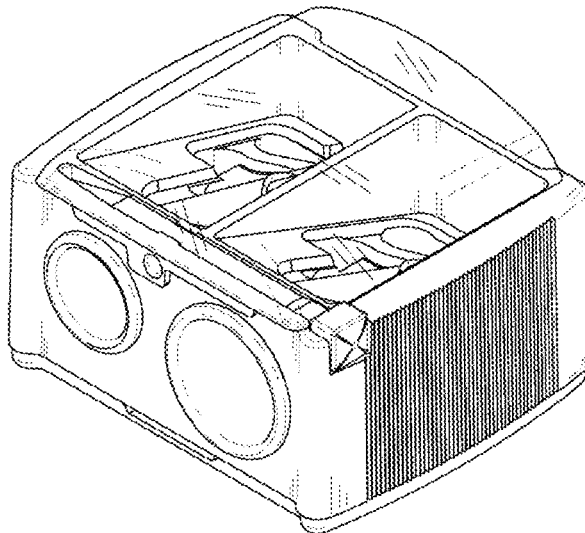


FIG. 1

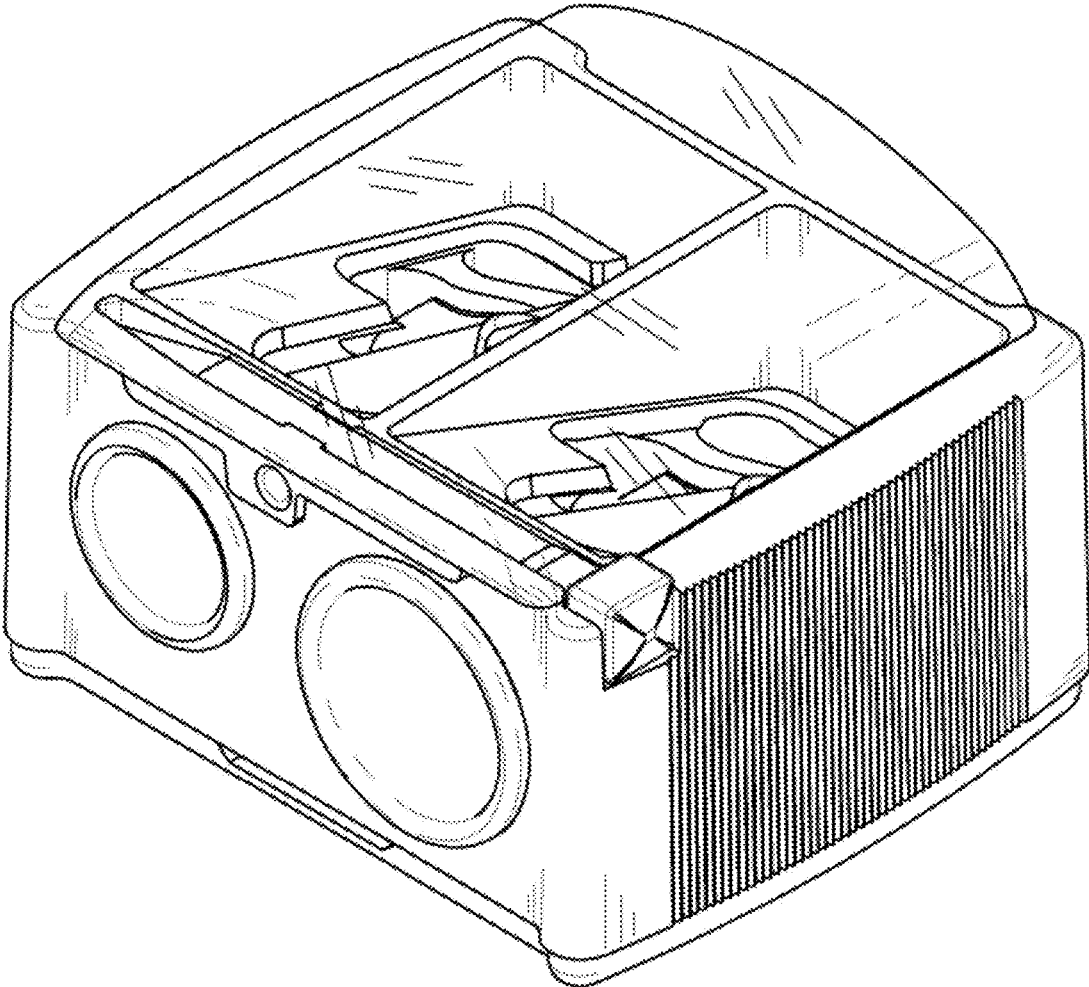


FIG. 2

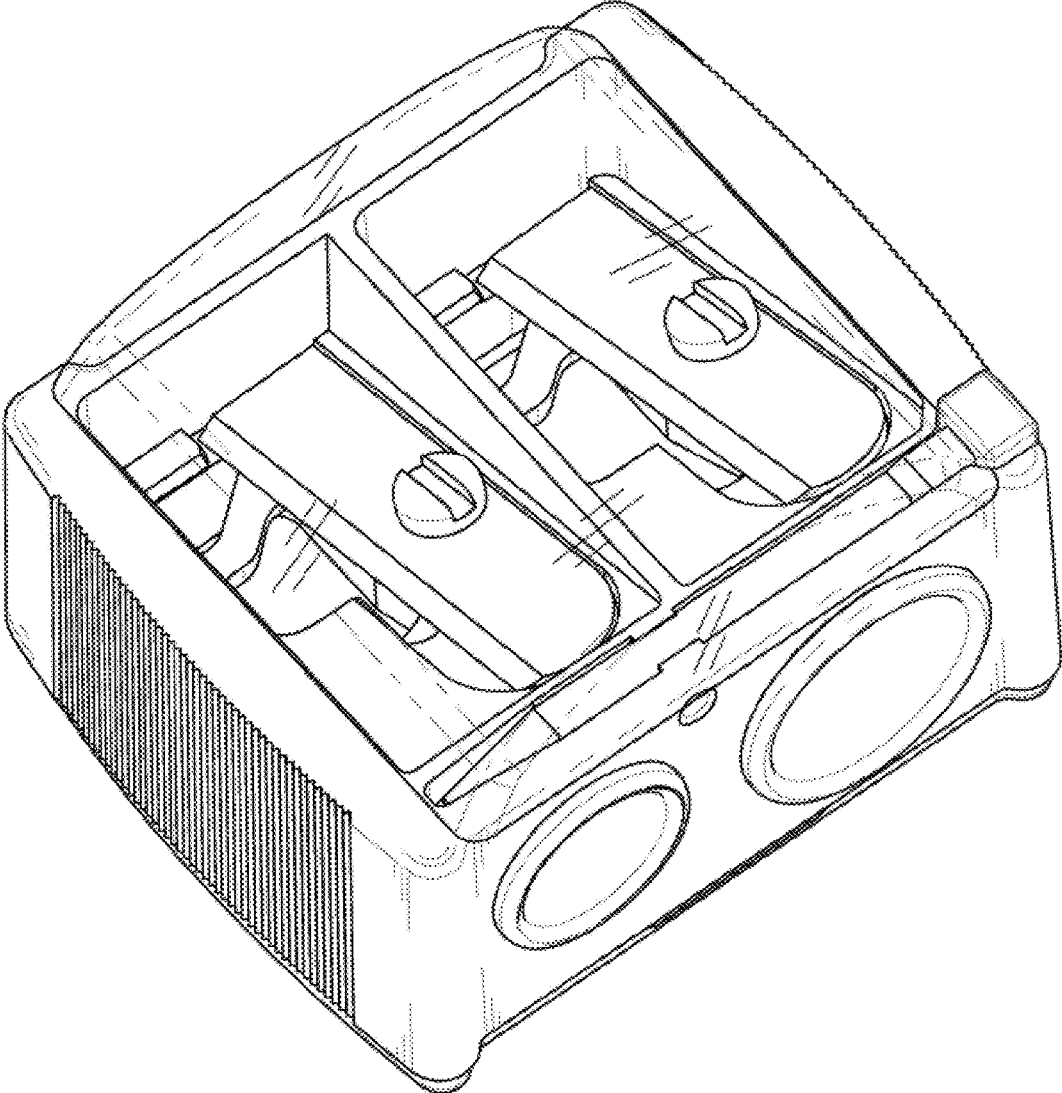


FIG. 3

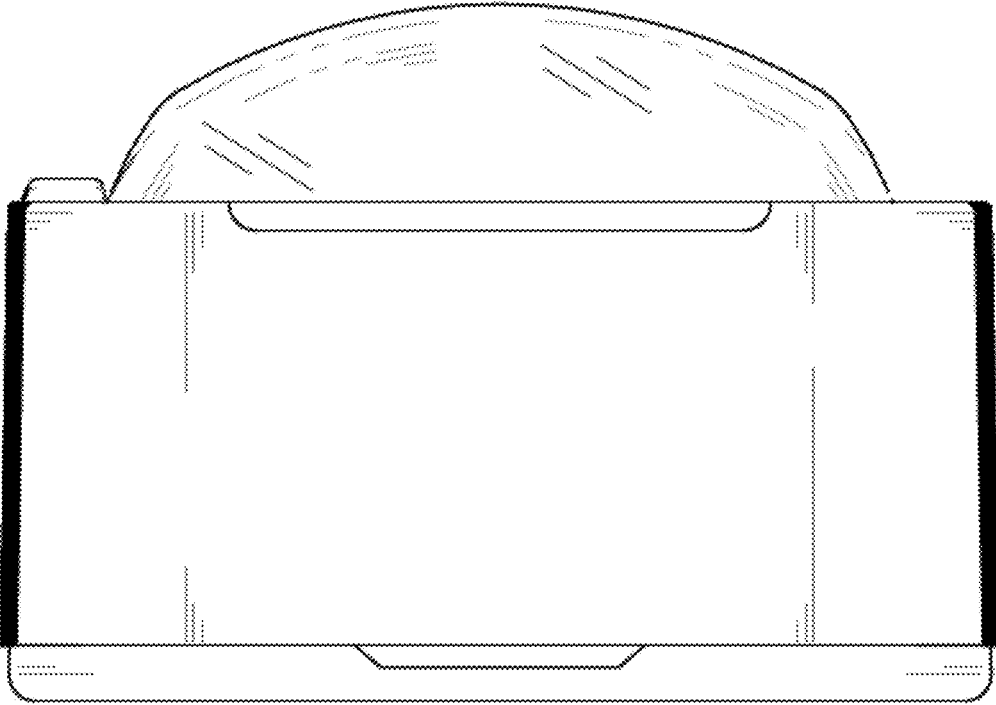


FIG. 4

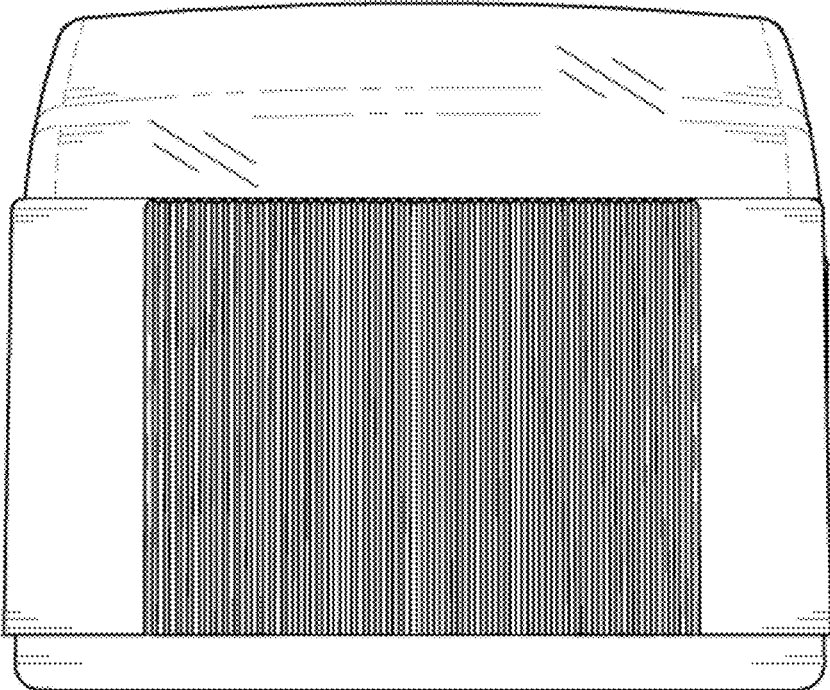


FIG. 5

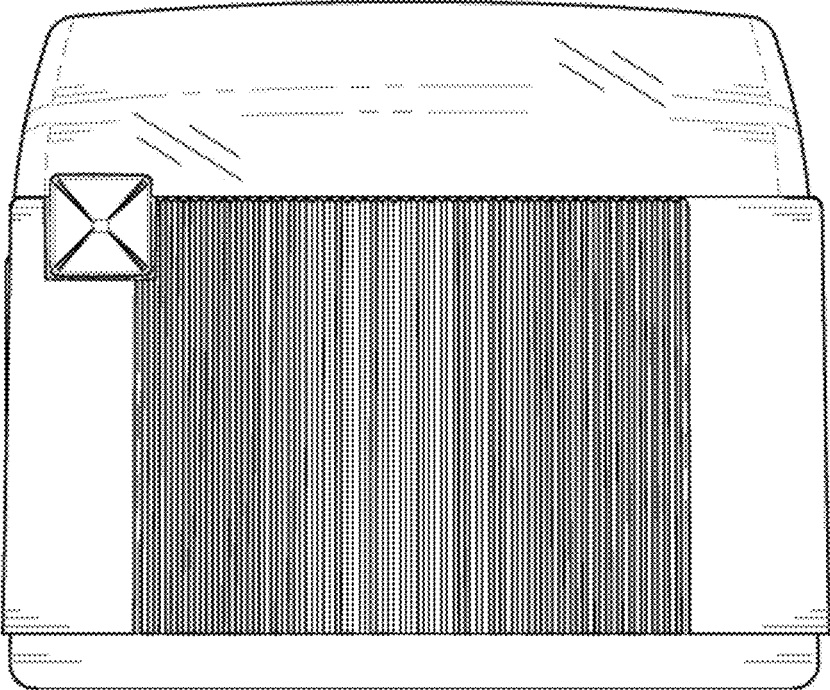


FIG. 6

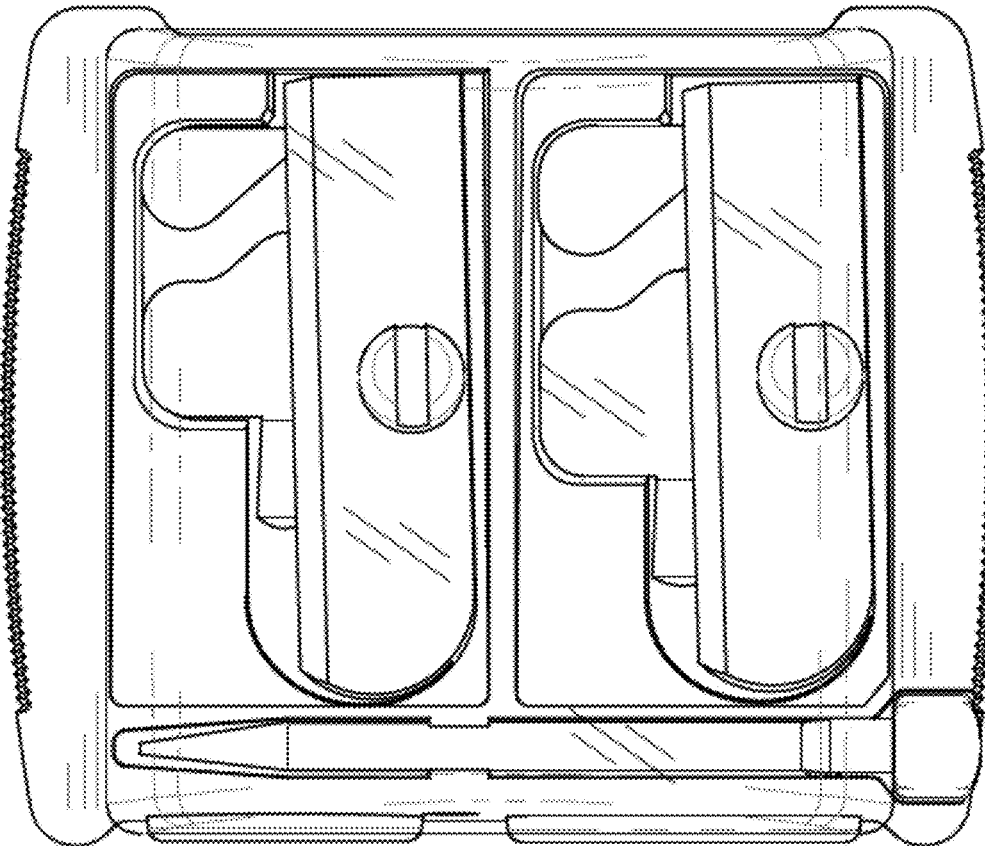


FIG. 7

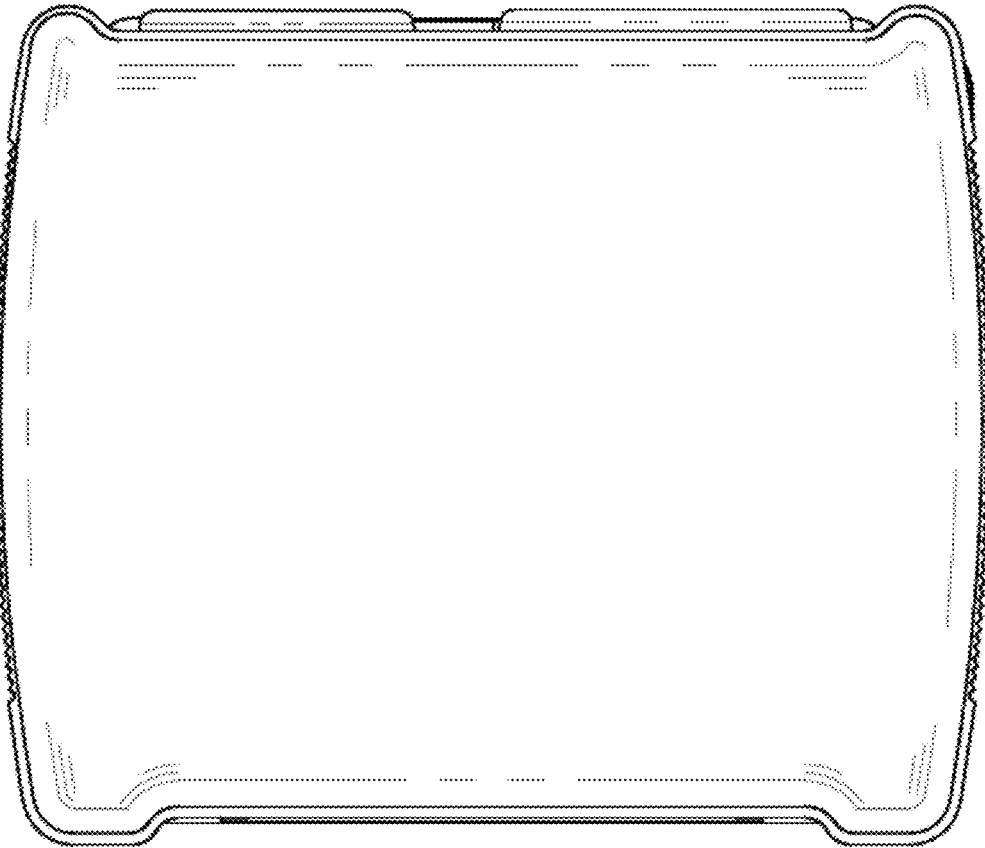


FIG. 8

