



US00D719915S

(12) **United States Design Patent**
McMahon

(10) **Patent No.:** **US D719,915 S**

(45) **Date of Patent:** **** Dec. 23, 2014**

(54) **ELECTRICAL WIRING DEVICE**

(71) Applicant: **Stephen McMahon**, Homer, NY (US)

(72) Inventor: **Stephen McMahon**, Homer, NY (US)

(73) Assignee: **Cortland Research LLC**, Homer, NY (US)

(**) Term: **14 Years**

(21) Appl. No.: **29/464,680**

(22) Filed: **Aug. 20, 2013**

(51) **LOC (10) Cl.** **13-03**

(52) **U.S. Cl.**
USPC **D13/139.1**

(58) **Field of Classification Search**

USPC D13/139.3, 139.2, 139.1, 139.6, 139.8,
D13/137.1-137.3, 130, 133; 439/106, 107,
439/538, 539; 174/50-51, 53-55; 361/42,
361/45, 46, 50

See application file for complete search history.

(56) **References Cited**

U.S. PATENT DOCUMENTS

D419,531	S	*	1/2000	Keung et al.	D13/160
D470,108	S	*	2/2003	Daoxian et al.	D13/139.3
D515,505	S	*	2/2006	Lin	D13/139.6
7,031,125	B2	*	4/2006	Germain et al.	361/42
D535,255	S	*	1/2007	Bazayev et al.	D13/139.3
7,209,330	B2	*	4/2007	DiSalvo	361/42
D542,223	S	*	5/2007	Bazayev et al.	D13/139.3
D545,272	S	*	6/2007	Zhang et al.	D13/139.3
D601,962	S	*	10/2009	Song	D13/139.6

D674,753	S	*	1/2013	Jansen et al.	D13/139.1
D686,577	S	*	7/2013	Flagello	D13/152
D703,139	S	*	4/2014	Dodal et al.	D13/139.1

* cited by examiner

Primary Examiner — Ian Simmons

Assistant Examiner — Rhea Shields

(74) *Attorney, Agent, or Firm* — Harris Beach PLLC

(57) **CLAIM**

The ornamental design for an electrical wiring device, as shown and described.

DESCRIPTION

FIG. 1 is a perspective view of a first embodiment of the electrical wiring device, showing my new design.

FIG. 2 is a front elevational view of the electrical wiring device of FIG. 1;

FIG. 3 is a left side elevational view of my electrical wiring device;

FIG. 4 is a right side elevational view of my electrical wiring device;

FIG. 5 is a top elevational view of my electrical wiring device;

FIG. 6 is a bottom elevational view of my electrical wiring device;

FIG. 7 is back elevational view of my electrical wiring device;

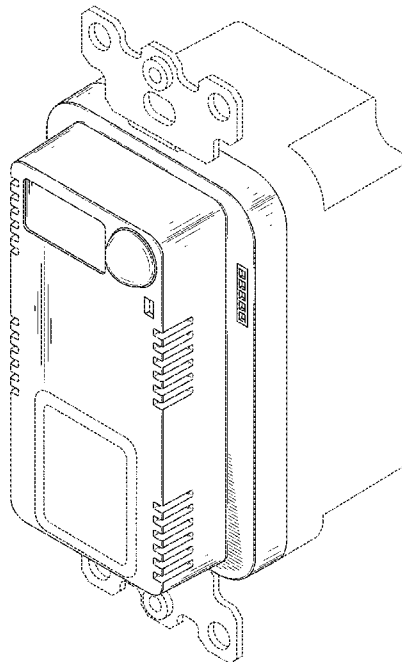
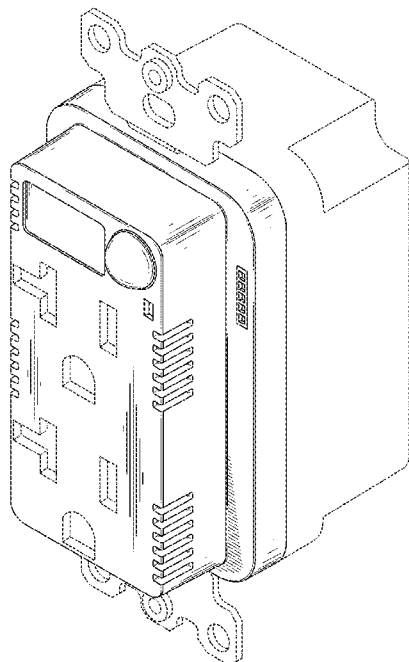
FIG. 8 is a perspective view of a second embodiment of the electrical wiring device, showing my new design.

FIG. 9 is a front elevational view of the electrical wiring device of FIG. 8; and,

FIG. 10 is a left side elevational view of the switch embodiment of my electrical wiring device.

In the drawings, the broken lines depict unclaimed subject matter only and form no part of the claimed design.

1 Claim, 9 Drawing Sheets



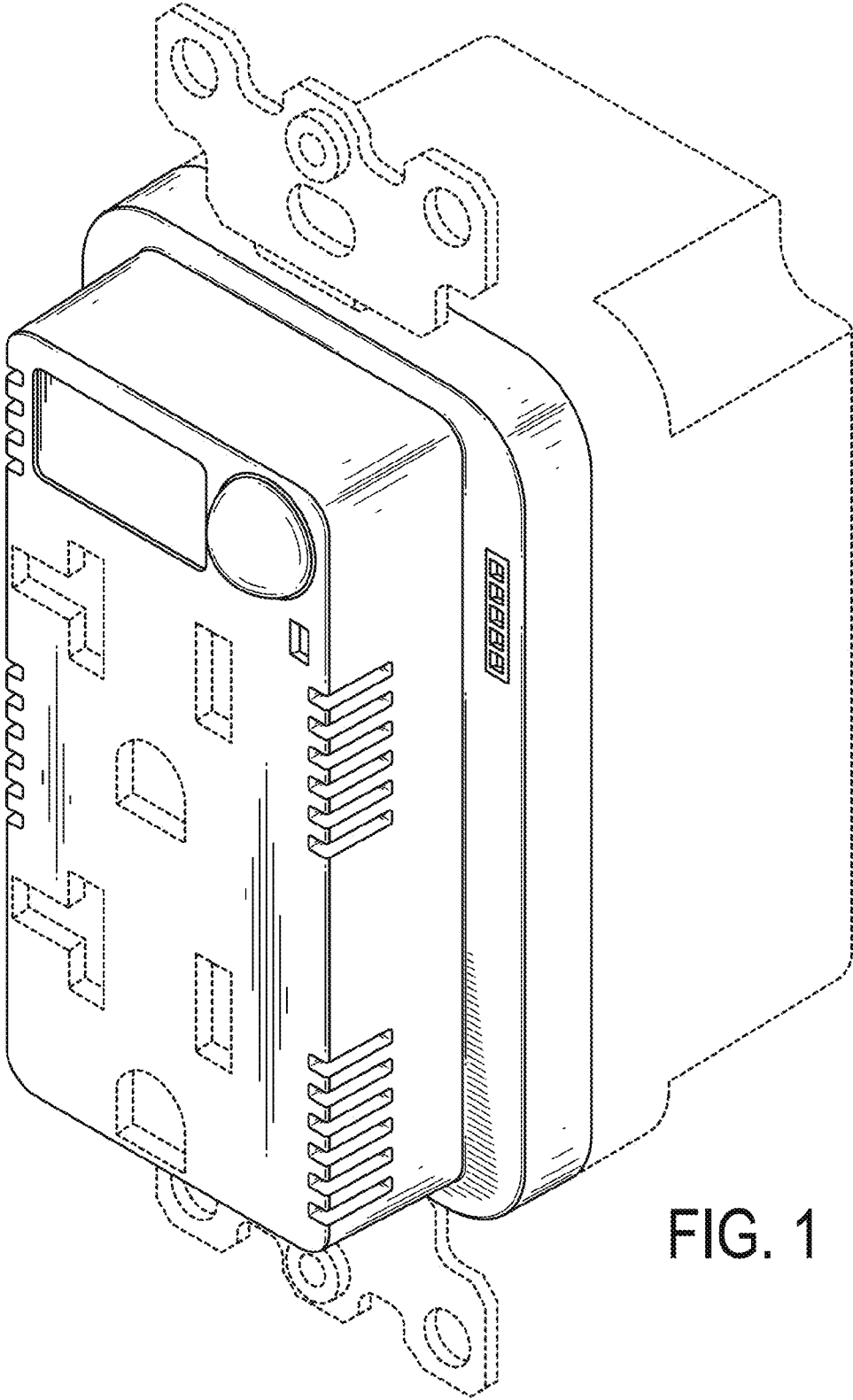


FIG. 1

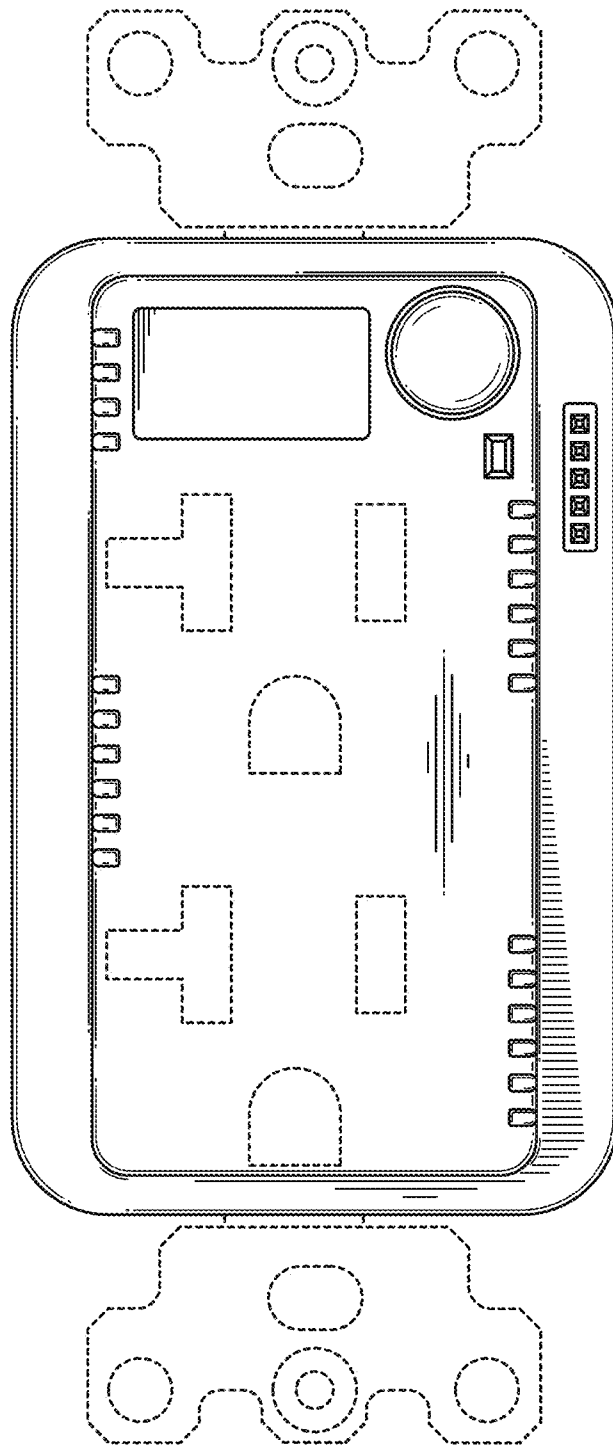


FIG. 2

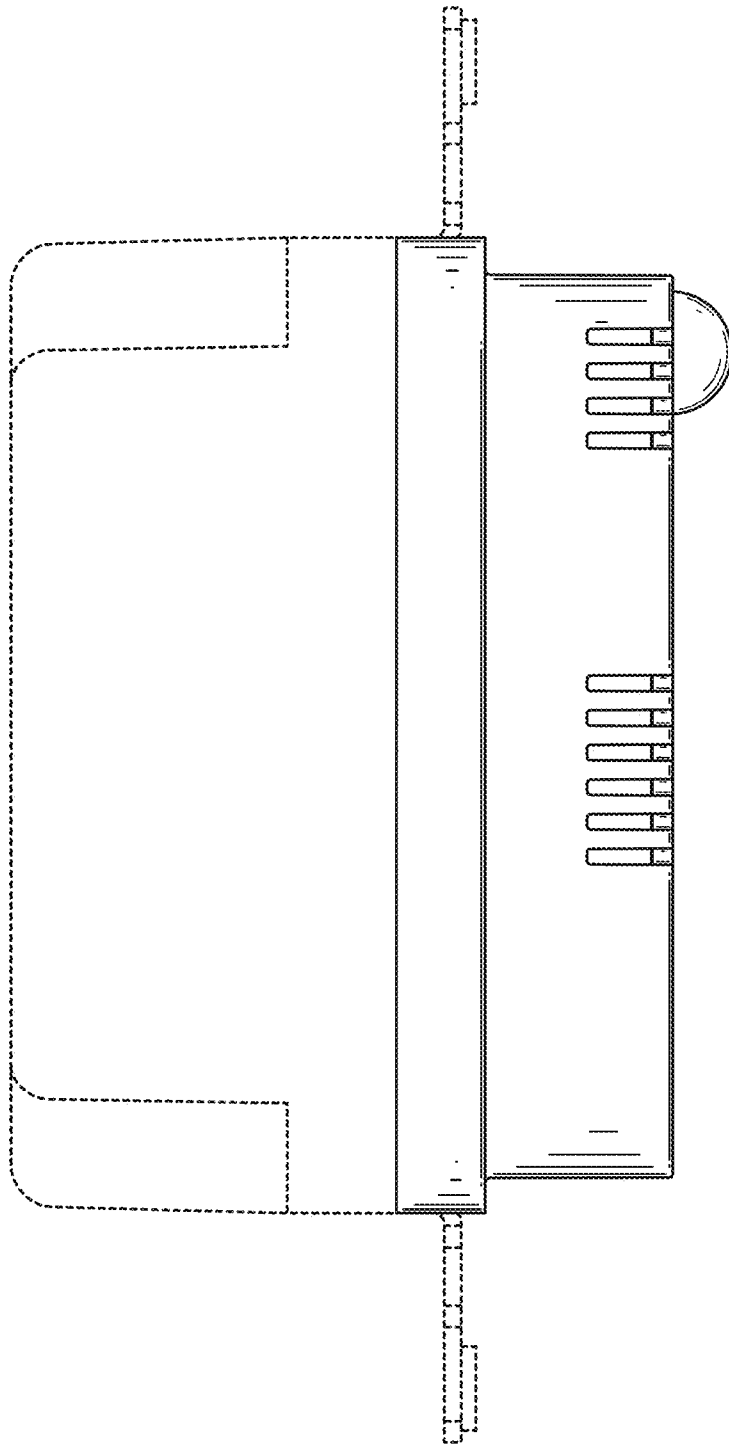


FIG. 3

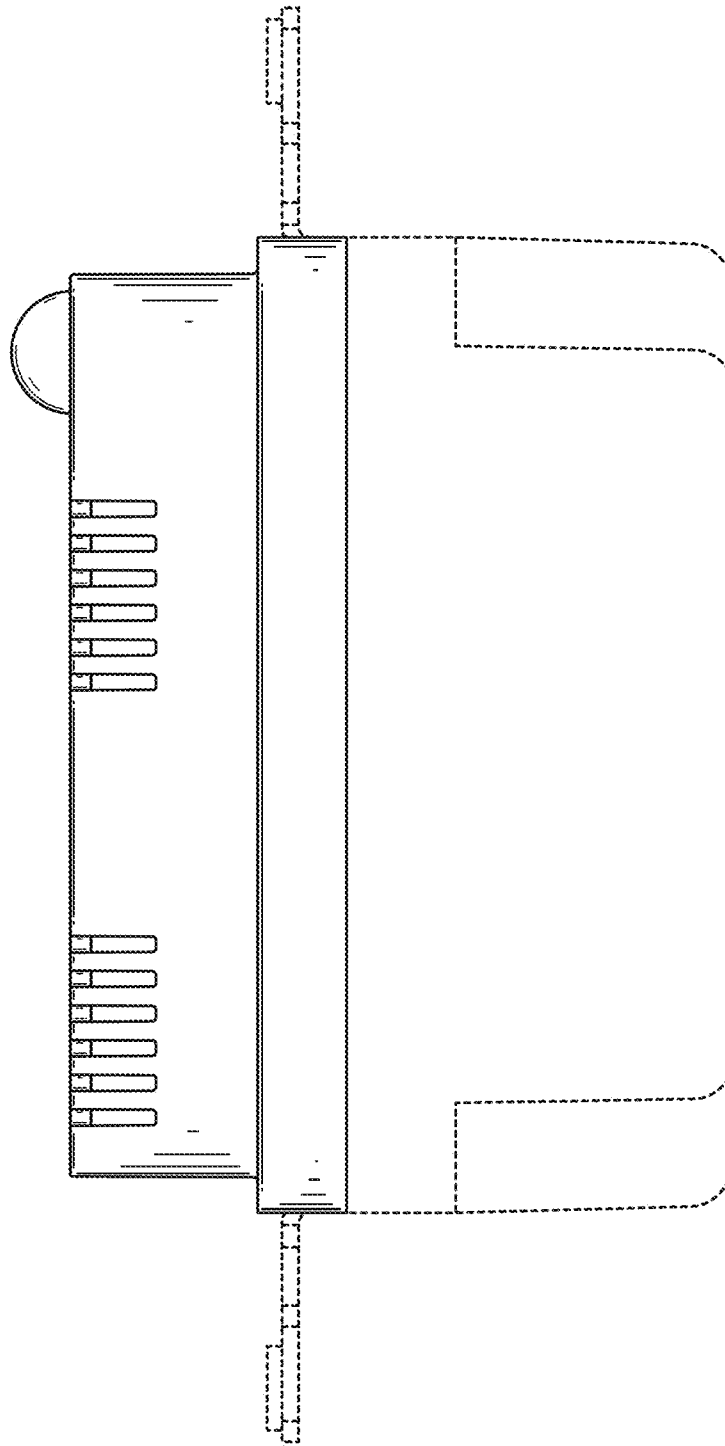


FIG. 4

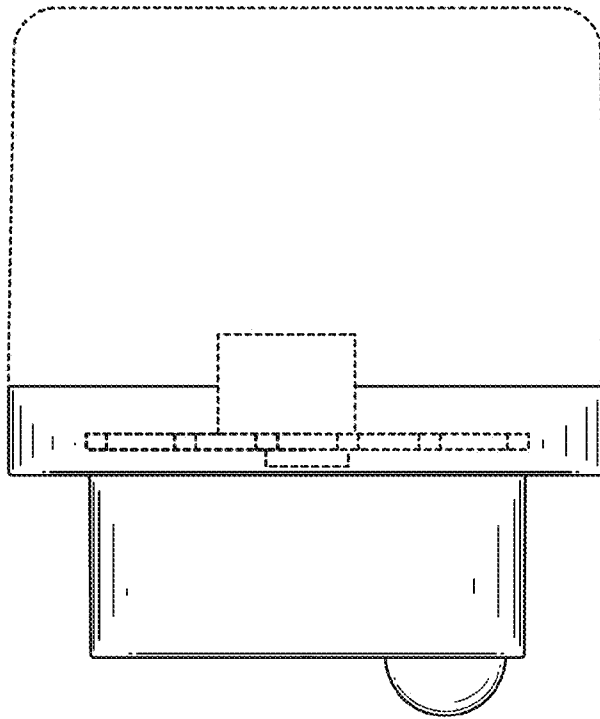


FIG. 5

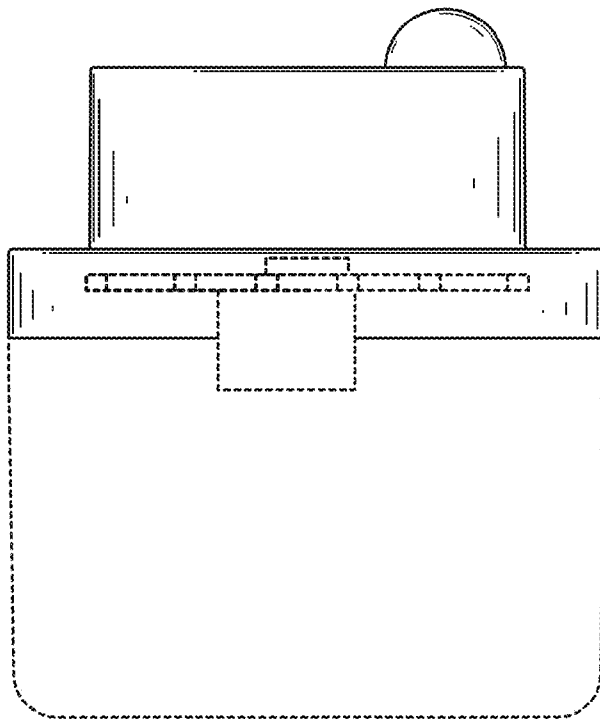


FIG. 6

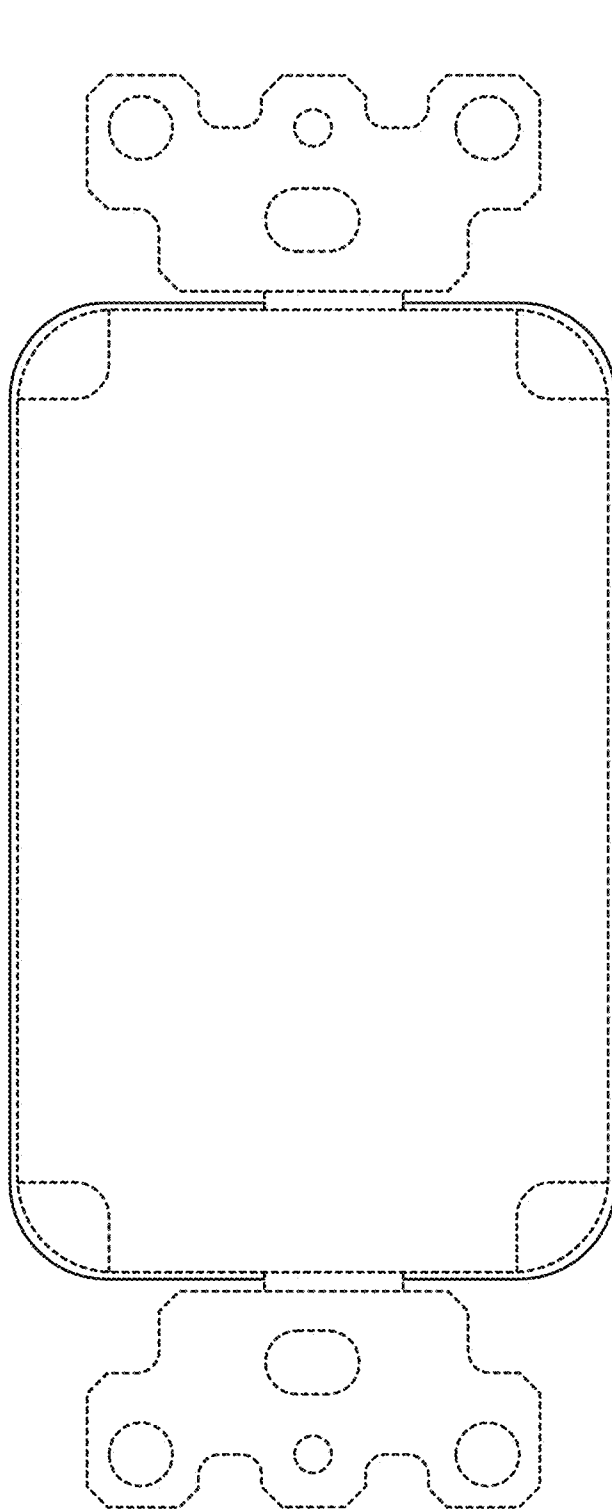


FIG. 7

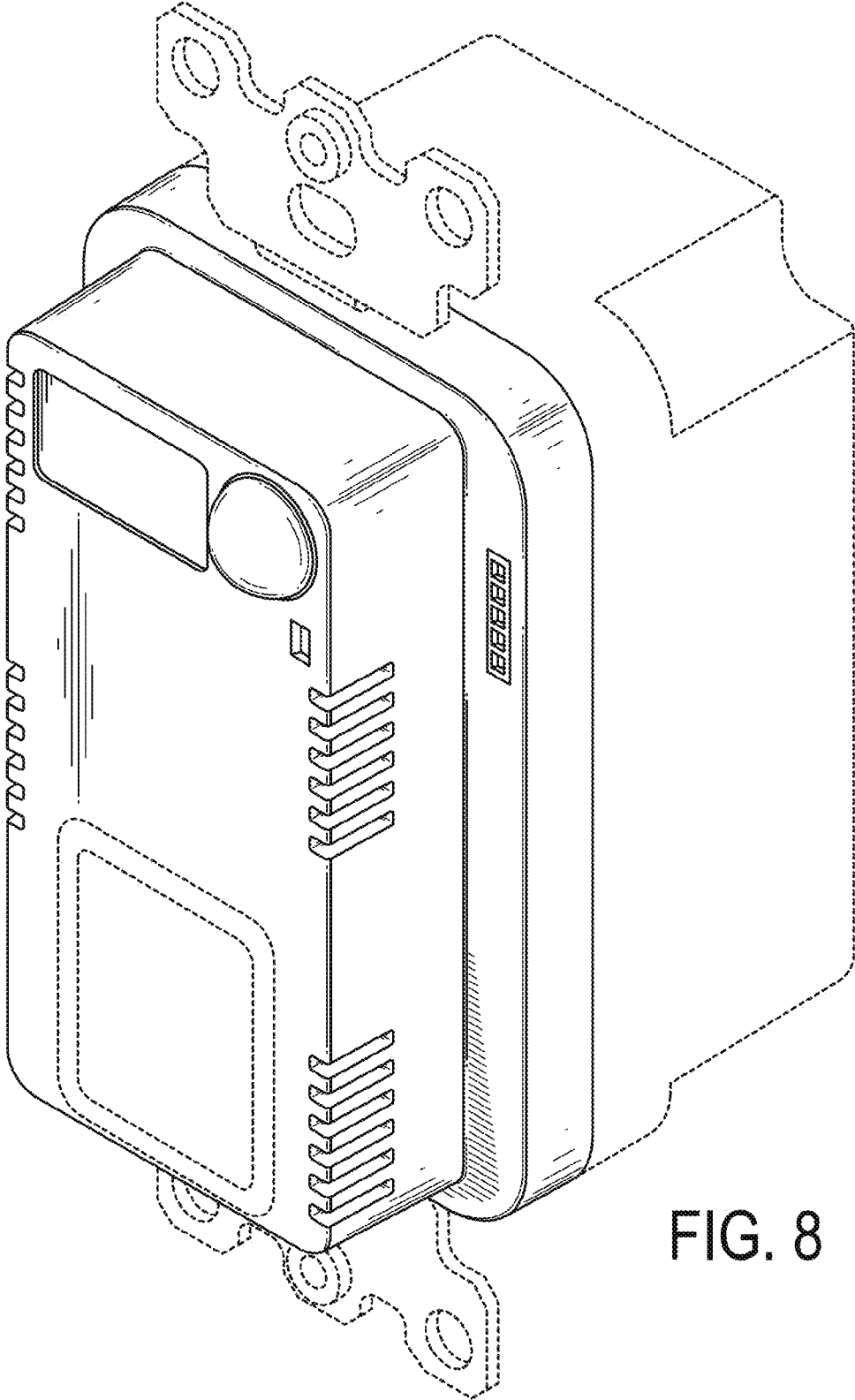


FIG. 8

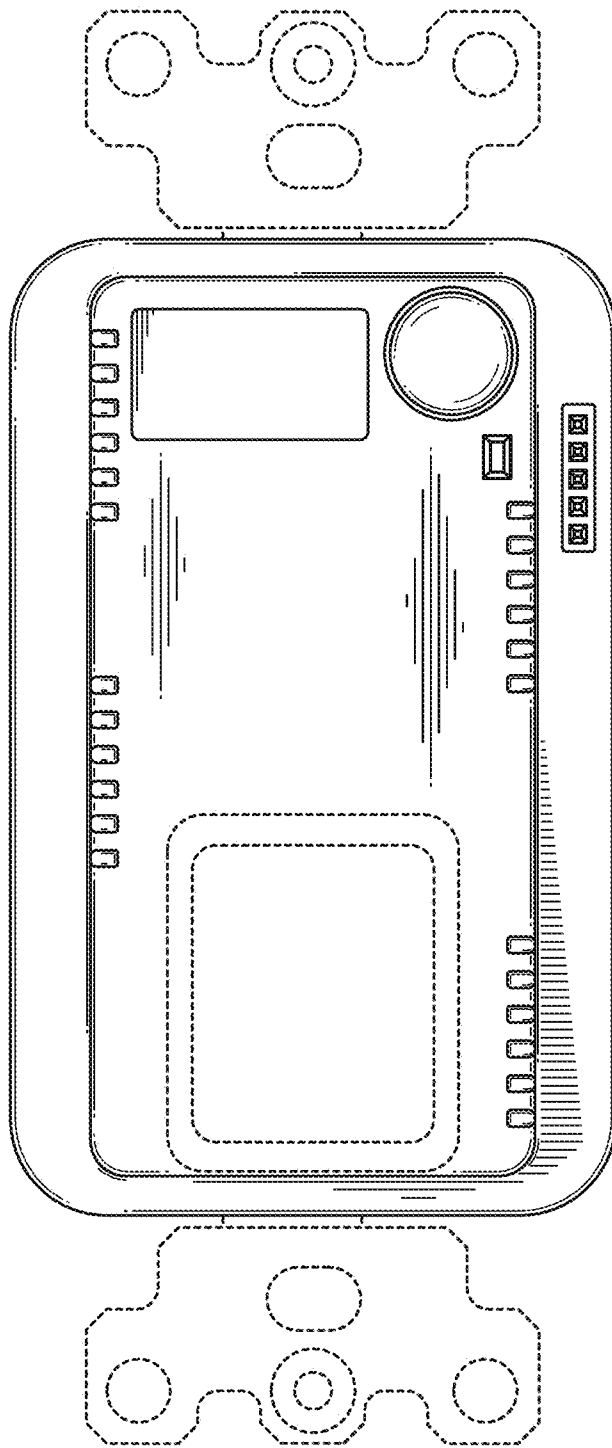


FIG. 9

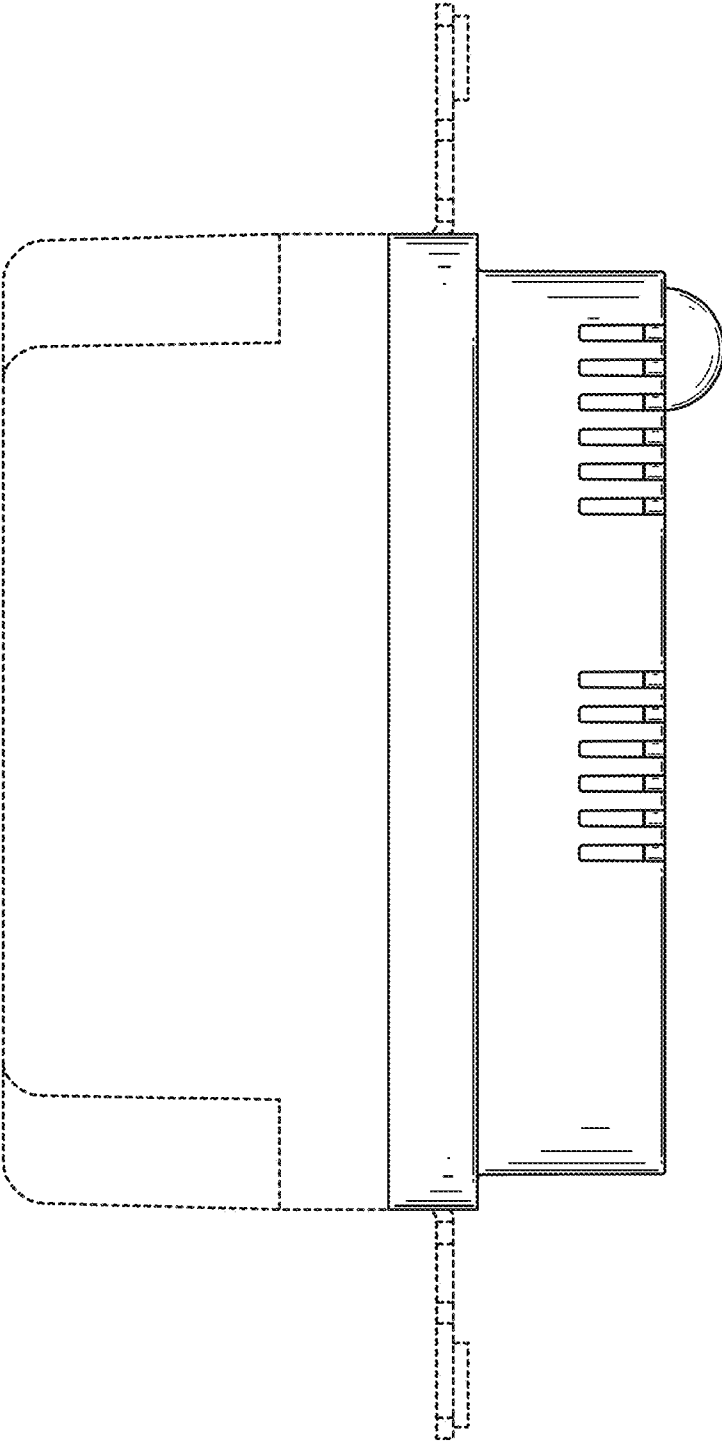


FIG. 10