

(19) World Intellectual Property Organization
International Bureau



(43) International Publication Date
12 June 2008 (12.06.2008)

PCT

(10) International Publication Number
WO 2008/070535 A3

(51) International Patent Classification:
A61B 19/00 (2006.01) F16K 7/08 (2006.01)

(74) Agents: JOHNSON, Philip, S. et al.; One Johnson & Johnson Plaza, New Brunswick, NJ 08933 (US).

(21) International Application Number:
PCT/US2007/086005

(81) Designated States (unless otherwise indicated, for every kind of national protection available): AE, AG, AL, AM, AT, AU, AZ, BA, BB, BG, BH, BR, BW, BY, BZ, CA, CH, CN, CO, CR, CU, CZ, DE, DK, DM, DO, DZ, EC, EE, EG, ES, FI, GB, GD, GE, GH, GM, GT, HN, HR, HU, ID, IL, IN, IS, JP, KE, KG, KM, KN, KP, KR, KZ, LA, LC, LK, LR, LS, LT, LU, LY, MA, MD, ME, MG, MK, MN, MW, MX, MY, MZ, NA, NG, NI, NO, NZ, OM, PG, PH, PL, PT, RO, RS, RU, SC, SD, SE, SG, SK, SL, SM, SV, SY, TJ, TM, TN, TR, TT, TZ, UA, UG, US, UZ, VC, VN, ZA, ZM, ZW.

(22) International Filing Date:
30 November 2007 (30.11.2007)

(25) Filing Language: English

(26) Publication Language: English

(30) Priority Data:
11/607,118 1 December 2006 (01.12.2006) US

(84) Designated States (unless otherwise indicated, for every kind of regional protection available): ARIPO (BW, GH, GM, KE, LS, MW, MZ, NA, SD, SL, SZ, TZ, UG, ZM, ZW), Eurasian (AM, AZ, BY, KG, KZ, MD, RU, TJ, TM), European (AT, BE, BG, CH, CY, CZ, DE, DK, EE, ES, FI, FR, GB, GR, HU, IE, IS, IT, LT, LU, LV, MC, MT, NL, PL, PT, RO, SE, SI, SK, TR), OAPI (BF, BJ, CF, CG, CI, CM, GA, GN, GQ, GW, ML, MR, NE, SN, TD, TG).

(71) Applicant (for all designated States except US):
ETHICON ENDO-SURGERY, INC [US/US]; 4545
Creek Road, Cincinnati, Ohio 45242 (US).

(72) Inventors; and

(75) Inventors/Applicants (for US only): BECKMAN, Andrew, T. [US/US]; 676 Wilfert Drive, Cincinnati, Ohio 45245 (US). FIHE, Carrie, I. [US/US]; 9210 Deercross Parkway, #2A, Cincinnati, OH 45236 (US). WHITE, William, J. [US/US]; 6229 Fairwind Drive, West Chester, OH 45069 (US).

Published:
— with international search report

(88) Date of publication of the international search report:
31 July 2008

(54) Title: HAND ASSISTED LAPAROSCOPIC DEVICE

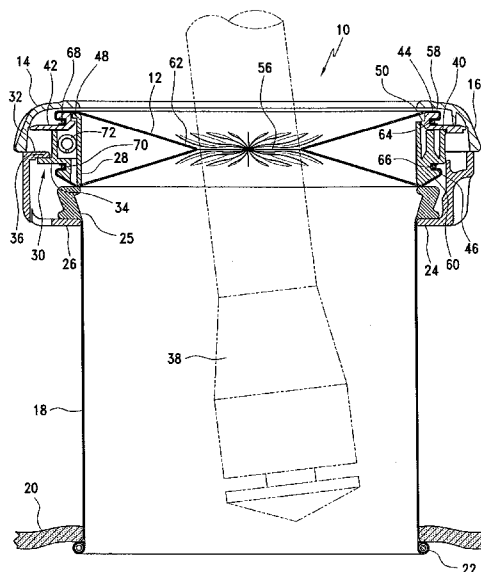


FIG. 8

(57) Abstract: A seal assembly (10) for permitting hand (38) assisted laparoscopic procedures includes a seal cap (14) having an iris seal (12) positioned within a housing (16). The housing includes a lower seal ring (28) having a track (40) which supports an upper seal ring (42) for relative rotational motion, wherein the iris seal is supported between the upper seal ring and the lower seal ring for rotation between an open orientation and a closed orientation. The seal assembly also includes a retractor (18) extending from the seal cap, a spring (72) biasing the upper seal ring relative to the lower seal ring, and a ratchet mechanism (74) controlling motion of the upper seal ring relative to the lower seal ring.

WO 2008/070535 A3

INTERNATIONAL SEARCH REPORT

International application No
PCT/US2007/086005

A. CLASSIFICATION OF SUBJECT MATTER
INV. A61B19/00 F16K7/08

According to International Patent Classification (IPC) or to both national classification and IPC

B. FIELDS SEARCHED

Minimum documentation searched (classification system followed by classification symbols)
A61B A61M F16K

Documentation searched other than minimum documentation to the extent that such documents are included in the fields searched

Electronic data base consulted during the international search (name of data base and, where practical, search terms used)

EPO-Internal

C. DOCUMENTS CONSIDERED TO BE RELEVANT

Category*	Citation of document, with indication, where appropriate, of the relevant passages	Relevant to claim No.
Y	US 2005/020884 A1 (HART C.C. & PINGLETON E.D.) 27 January 2005 (2005-01-27) paragraphs [0006], [0010], [0011], [0044] - [0048]; figures 6-11	1-18
Y	US 5 211 370 A (POWERS R.J.) 18 May 1993 (1993-05-18) column 2, line 7 - line 50; claims 3-5; figures	1-18

Further documents are listed in the continuation of Box C.

See patent family annex.

* Special categories of cited documents :

- *A* document defining the general state of the art which is not considered to be of particular relevance
- *E* earlier document but published on or after the international filing date
- *L* document which may throw doubts on priority claim(s) or which is cited to establish the publication date of another citation or other special reason (as specified)
- *O* document referring to an oral disclosure, use, exhibition or other means
- *P* document published prior to the international filing date but later than the priority date claimed

- *T* later document published after the international filing date or priority date and not in conflict with the application but cited to understand the principle or theory underlying the invention
- *X* document of particular relevance; the claimed invention cannot be considered novel or cannot be considered to involve an inventive step when the document is taken alone
- *Y* document of particular relevance; the claimed invention cannot be considered to involve an inventive step when the document is combined with one or more other such documents, such combination being obvious to a person skilled in the art.
- *Z* document member of the same patent family

Date of the actual completion of the international search

6 May 2008

Date of mailing of the international search report

16/05/2008

Name and mailing address of the ISA/
European Patent Office, P.B. 5818 Patentlaan 2
NL - 2280 HV Rijswijk
Tel. (+31-70) 340-2040, Tx. 31 651 epo nl,
Fax: (+31-70) 340-3016

Authorized officer

Nice, Philip

INTERNATIONAL SEARCH REPORT

Information on patent family members

International application No

PCT/US2007/086005

Patent document cited in search report	Publication date	Patent family member(s)	Publication date
US 2005020884	A1	US 2006084842 A1	20-04-2006
US 5211370	A	NONE	