

(19) World Intellectual Property Organization
International Bureau



(43) International Publication Date
21 January 2010 (21.01.2010)

PCT

(10) International Publication Number
WO 2010/008867 A3

- (51) **International Patent Classification:**
H04W 28/02 (2009.01) H04W 24/02 (2009.01)
- (21) **International Application Number:**
PCT/US2009/048342
- (22) **International Filing Date:**
23 June 2009 (23.06.2009)
- (25) **Filing Language:** English
- (26) **Publication Language:** English
- (30) **Priority Data:**
61/074,954 23 June 2008 (23.06.2008) US
- (71) **Applicant (for all designated States except US):** HART COMMUNICATION FOUNDATION [US/US]; 9390 Research Blvd., Suite I-350, Austin, TX 78759 (US).
- (72) **Inventors; and**
- (75) **Inventors/Applicants (for US only):** PRATT, Wallace, A. [US/US]; P.O.Box 939, Pflugerville, TX 78691 (US). MIDDLETON, Chuck [US/US]; 21513 Surrey Lane, Lago Vista, Texas 78645 (US). OKAMURA, Mark [US/US]; 11106 Crossland Drive, Austin, Texas 78726 (US). HATHIRAM, Daraius [US/US]; 9505 Tobina Lane, Austin, Texas 78759 (US).
- (74) **Agent:** HEPPERMAN, Roger, A.; Marshall, Gerstein & Borun LLP, 233 S. Wacker Drive, Suite 6300, Sears Tower, Chicago, IL 60606-6357 (US).

- (81) **Designated States (unless otherwise indicated, for every kind of national protection available):** AE, AG, AL, AM, AO, AT, AU, AZ, BA, BB, BG, BH, BR, BW, BY, BZ, CA, CH, CL, CN, CO, CR, CU, CZ, DE, DK, DM, DO, DZ, EC, EE, EG, ES, FI, GB, GD, GE, GH, GM, GT, HN, HR, HU, ID, IL, IN, IS, JP, KE, KG, KM, KN, KP, KR, KZ, LA, LC, LK, LR, LS, LT, LU, LY, MA, MD, ME, MG, MK, MN, MW, MX, MY, MZ, NA, NG, NI, NO, NZ, OM, PE, PG, PH, PL, PT, RO, RS, RU, SC, SD, SE, SG, SK, SL, SM, ST, SV, SY, TJ, TM, TN, TR, TT, TZ, UA, UG, US, UZ, VC, VN, ZA, ZM, ZW.
- (84) **Designated States (unless otherwise indicated, for every kind of regional protection available):** ARIPO (BW, GH, GM, KE, LS, MW, MZ, NA, SD, SL, SZ, TZ, UG, ZM, ZW), Eurasian (AM, AZ, BY, KG, KZ, MD, RU, TJ, TM), European (AT, BE, BG, CH, CY, CZ, DE, DK, EE, ES, FI, FR, GB, GR, HR, HU, IE, IS, IT, LT, LU, LV, MC, MK, MT, NL, NO, PL, PT, RO, SE, SI, SK, TR), OAPI (BF, BJ, CF, CG, CI, CM, GA, GN, GQ, GW, ML, MR, NE, SN, TD, TG).

Published:

- with international search report (Art. 21(3))
- before the expiration of the time limit for amending the claims and to be republished in the event of receipt of amendments (Rule 48.2(h))

(88) **Date of publication of the international search report:**
15 April 2010

(54) **Title:** WIRELESS COMMUNICATION NETWORK ANALYZER

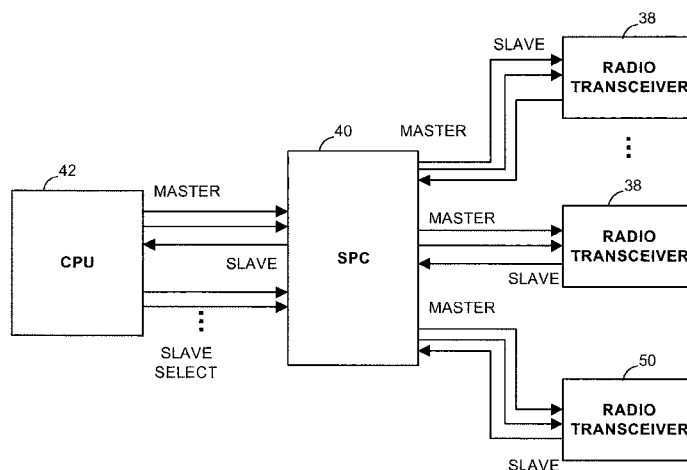


FIG. 7

(57) **Abstract:** A packet controller for simultaneous processing of data packets transmitted via a plurality of communication channels includes a plurality of inputs to receive a respective plurality of signals, such that each of the plurality of signals is indicative of a presence of a data packet on a respective one of the plurality of communication channels, a clock source to supply a periodic clock signal, a plurality of independent processing modules coupled to the respective plurality of inputs to simultaneously process the plurality of signals, such that each of the plurality of independent processing modules implements a respective state machine driven by the periodic clock signal to process the respective signal independently of every other one of the plurality of processing modules, and an output to transmit an output signal indicative of a presence of at least one data packet on one or more of the plurality of communication channels.

WO 2010/008867 A3

INTERNATIONAL SEARCH REPORT

International application No.
PCT/US2009/048342**A. CLASSIFICATION OF SUBJECT MATTER****H04W 28/02(2009.01)i, H04W 24/02(2009.01)i**

According to International Patent Classification (IPC) or to both national classification and IPC

B. FIELDS SEARCHED

Minimum documentation searched (classification system followed by classification symbols)

IPC 8 H04L 27/26 H04L 25/06 H04N

Documentation searched other than minimum documentation to the extent that such documents are included in the fields searched

KOREAN UTILITY MODELS AND APPLICATIONS FOR UTILITY MODELS SINCE 1975

JAPANESE UTILITY MODELS AND APPLICATIONS FOR UTILITY MODELS SINCE 1975

Electronic data base consulted during the international search (name of data base and, where practicable, search terms used)

KOMPASS (KIPO internal) "PACKET""CONTOL*""SIMULTANEOUS""PARALLEL"

C. DOCUMENTS CONSIDERED TO BE RELEVANT

Category*	Citation of document, with indication, where appropriate, of the relevant passages	Relevant to claim No.
A	US 2008/0120676 A1 (MORAD et al.) 22 MAY 2008 Whole document	1, 11, 13, 17, 18, 26, 33
A	US 2004/0095951 A1 (PARK) 20 MAY 2004 Whole document	1, 11, 13, 17, 18, 26, 33

 Further documents are listed in the continuation of Box C. See patent family annex.

* Special categories of cited documents:

"A" document defining the general state of the art which is not considered to be of particular relevance

"E" earlier application or patent but published on or after the international filing date

"L" document which may throw doubts on priority claim(s) or which is cited to establish the publication date of citation or other special reason (as specified)

"O" document referring to an oral disclosure, use, exhibition or other means

"P" document published prior to the international filing date but later than the priority date claimed

"T" later document published after the international filing date or priority date and not in conflict with the application but cited to understand the principle or theory underlying the invention

"X" document of particular relevance; the claimed invention cannot be considered novel or cannot be considered to involve an inventive step when the document is taken alone

"Y" document of particular relevance; the claimed invention cannot be considered to involve an inventive step when the document is combined with one or more other such documents, such combination being obvious to a person skilled in the art

"&" document member of the same patent family

Date of the actual completion of the international search

22 FEBRUARY 2010 (22.02.2010)

Date of mailing of the international search report

24 FEBRUARY 2010 (24.02.2010)

Name and mailing address of the ISA/KR

Korean Intellectual Property Office
Government Complex-Daejeon, 139 Seonsa-ro, Seo-
gu, Daejeon 302-701, Republic of Korea

Facsimile No. 82-42-472-7140

Authorized officer

SUH, Hawthorne

Telephone No. 82-42-481-5670



INTERNATIONAL SEARCH REPORT

Information on patent family members

International application No.

PCT/US2009/048342

Patent document cited in search report	Publication date	Patent family member(s)	Publication date
US 2008-120676 A1	22.05.2008	None	
US 2004-0095951 A1	20.05.2004	CN 1494335 A CN 1244242 C CN 1494335 C0 CN 1244242 C0 KR 20040039036 A KR 10-0511295 B1	05.05.2004 01.03.2006 01.03.2006 01.03.2006 10.05.2004 31.08.2005