



(12) **United States Design Patent**  
**Moore**

(10) **Patent No.:** **US D1,062,079 S**  
(45) **Date of Patent:** **\*\* Feb. 11, 2025**

- (54) **FIRE EXTINGUISHER HOSE PLUG**
- (71) Applicant: **Michael Moore**, Talbott, TN (US)
- (72) Inventor: **Michael Moore**, Talbott, TN (US)

D591,405 S \* 4/2009 Pogrebinsky ..... D23/260  
 D702,316 S \* 4/2014 Davis, Jr. .... D22/122  
 D827,135 S \* 8/2018 Sedic ..... D24/141  
 D897,522 S \* 9/2020 O ..... D24/106  
 D966,202 S \* 10/2022 Willson ..... D13/154

(\*\*) Term: **15 Years**

**FOREIGN PATENT DOCUMENTS**

(21) Appl. No.: **29/790,531**

CN 307634675 \* 11/2022

(22) Filed: **Dec. 2, 2021**

**OTHER PUBLICATIONS**

(51) **LOC (15) Cl.** ..... **29-01**  
(52) **U.S. Cl.**

Amazon, "CO2 2KG Fire Extinguisher Swivel", first available Jan. 26, 2011. (<https://www.amazon.co.uk/Extinguisher-Swivel-Safety-Landlord-Council/dp/B07D8QVXZT>) (Year: 2011).\*

Amazon, "Jalo Oiva Fire Extinguisher", first available Nov. 4, 2016. (<https://www.amazon.co.uk/dp/B01M36GFBK/?th=1>) (Year: 2016).\*

Amazon, "AF ROPLUG-3—Rhino #3 Drip Proof Plug", first available Mar. 11, 2016. (<amazon.com/AF-ROPLUG-3-Rhino-Proof-Fitting/dp/B09LRCR36X>) (Year: 2016).\*

USPC ..... **D29/126**

(58) **Field of Classification Search**

USPC ..... D29/122, 125, 126, 129  
 CPC .... A62B 1/00; A62B 1/06; A62B 1/08; A62B 1/10; A62B 1/12; A62B 1/14; A62B 1/16; A62B 1/18; A62B 1/20; A62B 17/00; A62C 2/00; A62C 3/00; A62C 3/07; A62C 8/00; A62C 11/00; A62C 11/005; A62C 13/00; A62C 13/03; A62C 13/006; A62C 13/02; A62C 13/04; A62C 13/06; A62C 13/08; A62C 13/14; A62C 13/18; A62C 13/20; A62C 13/22; A62C 13/62; A62C 13/64; A62C 13/66; A62C 13/68; A62C 13/70; A62C 13/72; A62C 13/74; A62C 13/76; A62C 13/78; A62C 35/20; A62C 99/00; A62C 99/0009; A62C 99/0018; A62C 99/0027; A62C 99/0036; A62C 99/0045; A62C 99/0054; A62C 99/0063; A62C 99/0072; A62C 99/0081; A62C 99/009

\* cited by examiner

*Primary Examiner* — Leanne Was-Englehart  
*Assistant Examiner* — Justin A Johnson  
 (74) *Attorney, Agent, or Firm* — TechnicalAttorney; Rick Barnes

See application file for complete search history.

(56) **References Cited**

**U.S. PATENT DOCUMENTS**

D154,772 S \* 8/1949 Hack ..... D29/126  
 D165,034 S \* 10/1951 Sciver ..... D29/126  
 D375,028 S \* 10/1996 Moses ..... D8/29  
 D408,526 S \* 4/1999 Westerdal ..... D24/106  
 D459,698 S \* 7/2002 Fan Wong ..... D13/133

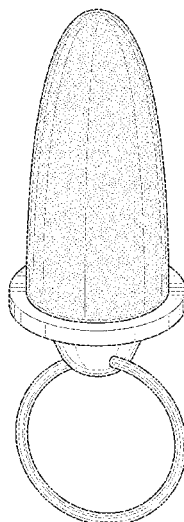
(57) **CLAIM**

The ornamental design for a fire extinguisher hose plug, as shown and described.

**DESCRIPTION**

FIG. 1 is a perspective view of a fire extinguisher hose plug of my new design.  
 FIG. 2 is a right side view thereof.  
 FIG. 3 is a left side view thereof.  
 FIG. 4 is a front plan view thereof.  
 FIG. 5 is a rear plan view thereof.  
 FIG. 6 is a top view thereof; and,  
 FIG. 7 is a bottom view thereof.

**1 Claim, 3 Drawing Sheets**



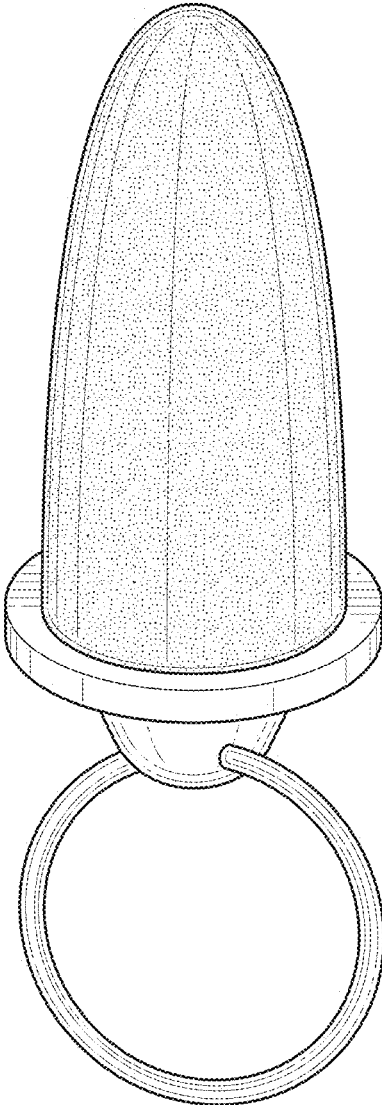


FIG. 1

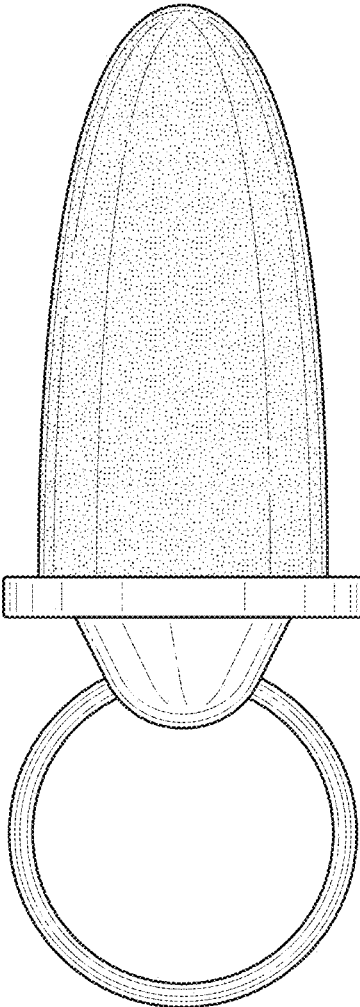


FIG. 2

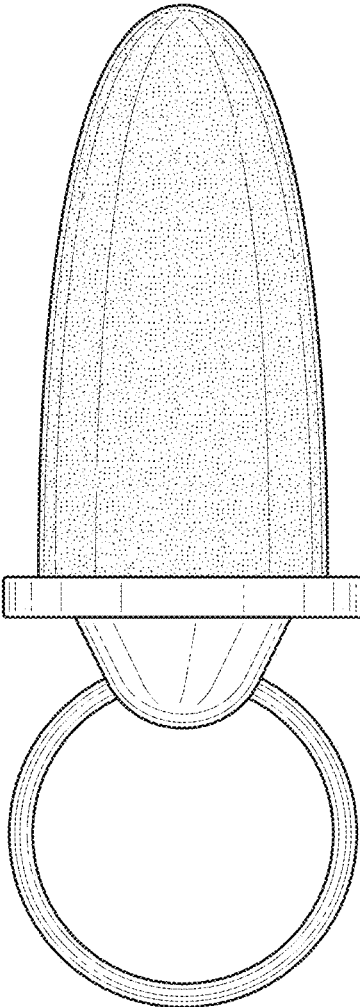


FIG. 3

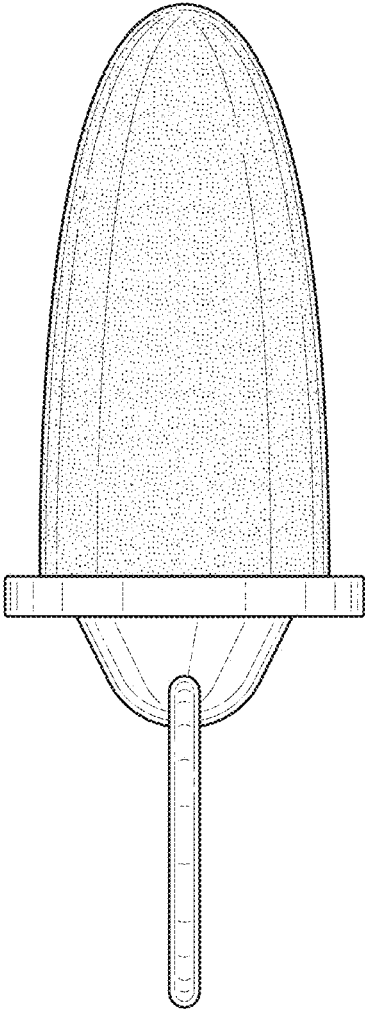


FIG. 4

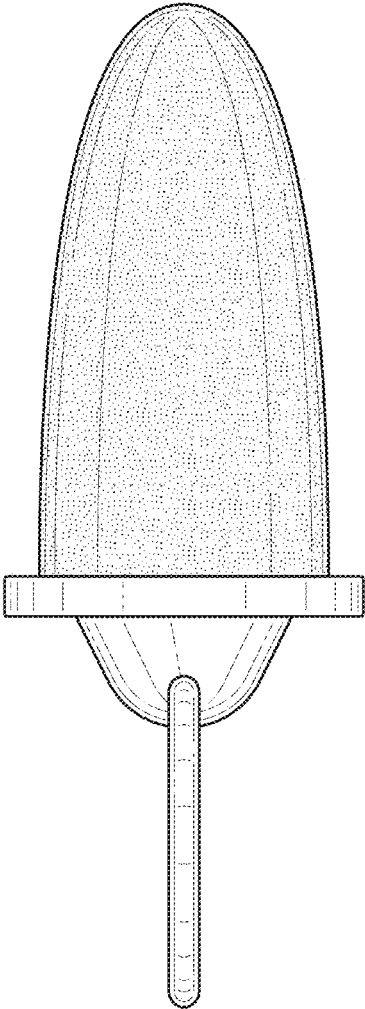


FIG. 5

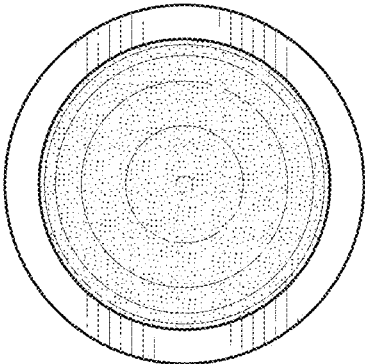


FIG. 6

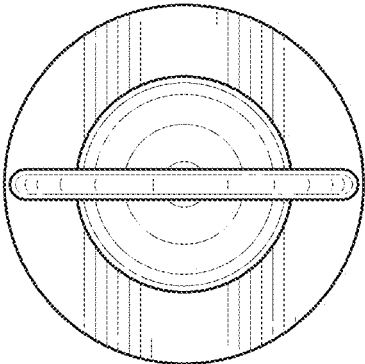


FIG. 7