



US00D985994S

(12) **United States Design Patent**
Meuwissen

(10) **Patent No.:** **US D985,994 S**

(45) **Date of Patent:** **** May 16, 2023**

(54) **KETTLE**
(71) Applicant: **Spectrum Brands, Inc.**, Middleton, WI (US)
(72) Inventor: **Kendall Meuwissen**, Middleton, WI (US)
(73) Assignee: **Spectrum Brands, Inc.**, Middleton, WI (US)
(**) Term: **15 Years**
(21) Appl. No.: **29/774,737**

Primary Examiner — Joseph Kukella
Assistant Examiner — Arva P Adams
(74) *Attorney, Agent, or Firm* — Foley & Lardner LLP

(57) **CLAIM**

The ornamental design for a kettle, as shown and described.

DESCRIPTION

(51) **LOC (14) Cl.** **07-02**
(52) **U.S. Cl.**
USPC **D7/318; D7/317**
(58) **Field of Classification Search**
USPC D7/300, 316–322
CPC A47G 19/16; A47J 2202/00; A47J 27/10;
A47J 27/21; A47J 27/21008; A47J
27/21041; A47J 27/2105; A47J 27/21058;
A47J 27/21083; A47J 27/21091; A47J
(Continued)

FIG. 1 is a front perspective view of a kettle showing my new design;
FIG. 2 is a front view thereof;
FIG. 3 is a rear view thereof;
FIG. 4 is a left side view thereof;
FIG. 5 is a right side view thereof;
FIG. 6 is a top view thereof;
FIG. 7 is a bottom view thereof;
FIG. 8 is a front perspective view of the kettle of FIGS. 1-7 shown without surface shading and disclaimed regions;
FIG. 9 is a front view thereof;
FIG. 10 is a rear view thereof;
FIG. 11 is a left side view thereof;
FIG. 12 is a right side view thereof;
FIG. 13 is a top view thereof;
FIG. 14 is a bottom view thereof;
FIG. 15 is a front perspective view of the kettle of FIGS. 8-14 with an added base;
FIG. 16 is a front view thereof;
FIG. 17 is a rear view thereof;
FIG. 18 is a left side view thereof;
FIG. 19 is a right side view thereof;
FIG. 20 is a top view thereof; and,
FIG. 21 is a bottom view thereof.

(56) **References Cited**

U.S. PATENT DOCUMENTS

D225,365 S * 12/1972 Beckman D7/317
D375,016 S * 10/1996 Ullmann D7/319
(Continued)

FOREIGN PATENT DOCUMENTS

AU 2009101273 A4 2/2010
CN 305786542 * 5/2020
(Continued)

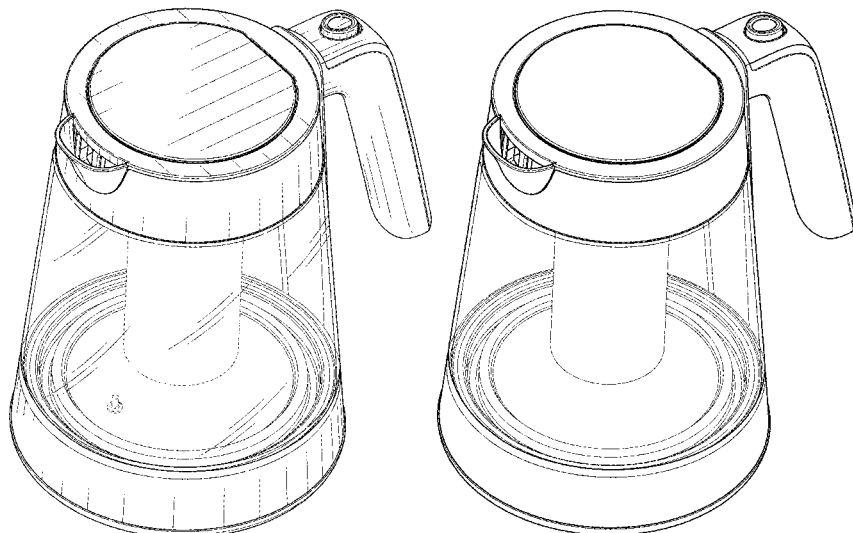
OTHER PUBLICATIONS

“OXO KC09087 on Cordless Glass Electric Kettle,” Jul. 7, 2015, Amazon.ca, www.amazon.ca/OXO-Cordless-Electric-Kettle-Stainless/dp/B00YEYKRX8?th=1 (Year: 2015).*

(Continued)

The broken lines depicting the infuser and remainder of the kettle form no part of the claimed design.

1 Claim, 21 Drawing Sheets



(58) **Field of Classification Search**
 CPC . 27/21116; A47J 27/21158; A47J 36/02; A47J
 41/0072

See application file for complete search history.

(56) **References Cited**

U.S. PATENT DOCUMENTS

D388,655	S	1/1998	Flom et al.	
D461,087	S *	8/2002	Hatsumoto	D7/317
D501,117	S	1/2005	Bassill	
D512,597	S *	12/2005	Bjorn	D7/316
D585,231	S	1/2009	Bulala et al.	
D603,647	S *	11/2009	Bodum	A47J 31/0626 D7/317
D611,288	S	3/2010	Bodum	
7,706,671	B2	4/2010	Brown	
D633,324	S *	3/2011	Mondragon	D7/317
D638,651	S *	5/2011	Butler	D7/317
D738,669	S	9/2015	Brook	
D752,375	S *	3/2016	Maitland	D7/317
D753,948	S *	4/2016	Kestenbaum	D7/317
D760,022	S	6/2016	Garvey	
D777,500	S *	1/2017	Lee	D7/319
D799,883	S	10/2017	Bond et al.	
D805,342	S	12/2017	Benoit et al.	
D814,222	S	4/2018	Bronwasser	
D814,849	S	4/2018	Lee et al.	
D824,723	S	8/2018	Averty	
D830,759	S	10/2018	Vu et al.	
D832,055	S *	10/2018	Rose	D7/598
D861,408	S	10/2019	Hagger	

D878,848	S *	3/2020	Hu	D7/317
D880,925	S *	4/2020	Saul	D7/317
D880,926	S *	4/2020	Thun	D7/317
D885,107	S *	5/2020	Katsunuma	D7/312
D885,109	S	5/2020	Katsunuma	
D901,226	S *	11/2020	Shen	D7/309
D901,968	S	11/2020	Hoare et al.	
D943,346	S	2/2022	Harrod	
D963,394	S	9/2022	Guo	
D966,773	S	10/2022	Sowden	
2010/0270284	A1	10/2010	Cohen et al.	
2015/0230659	A1	8/2015	Hoare et al.	
2016/0374500	A1	12/2016	Bugatti	
2018/0296025	A1 *	10/2018	Pan	A47J 31/0626

FOREIGN PATENT DOCUMENTS

EM	002188706-0001	*	2/2013	
EM	003534171-0001	*	1/2017	
KR	301076658.0000	*	9/2020	
WO	WO-D215501-001	*	1/2022	

OTHER PUBLICATIONS

Flowers, Jeff, "Electric Kettle Buying Guide," Aug. 21, 2017, Compact Appliance, <https://learn.compactappliance.com/electric-kettles-buying-guide/> (Year: 2017).*

Geekycooking, "Russell Hobbs Attentiv Electric Kettle," Jun. 8, 2022, Cooking Gizmos, www.cookinggizmos.com/russell-hobbs-attentiv-electric-kettle/ (Year: 2022).*

* cited by examiner

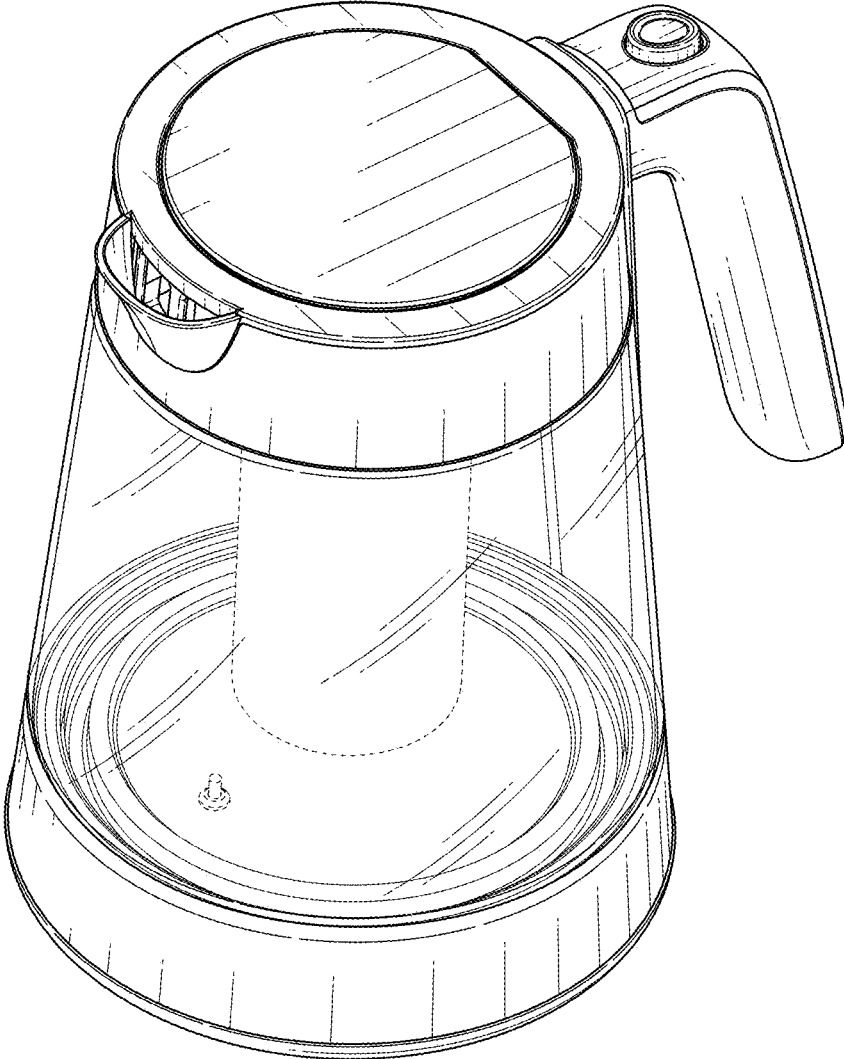


FIG. 1

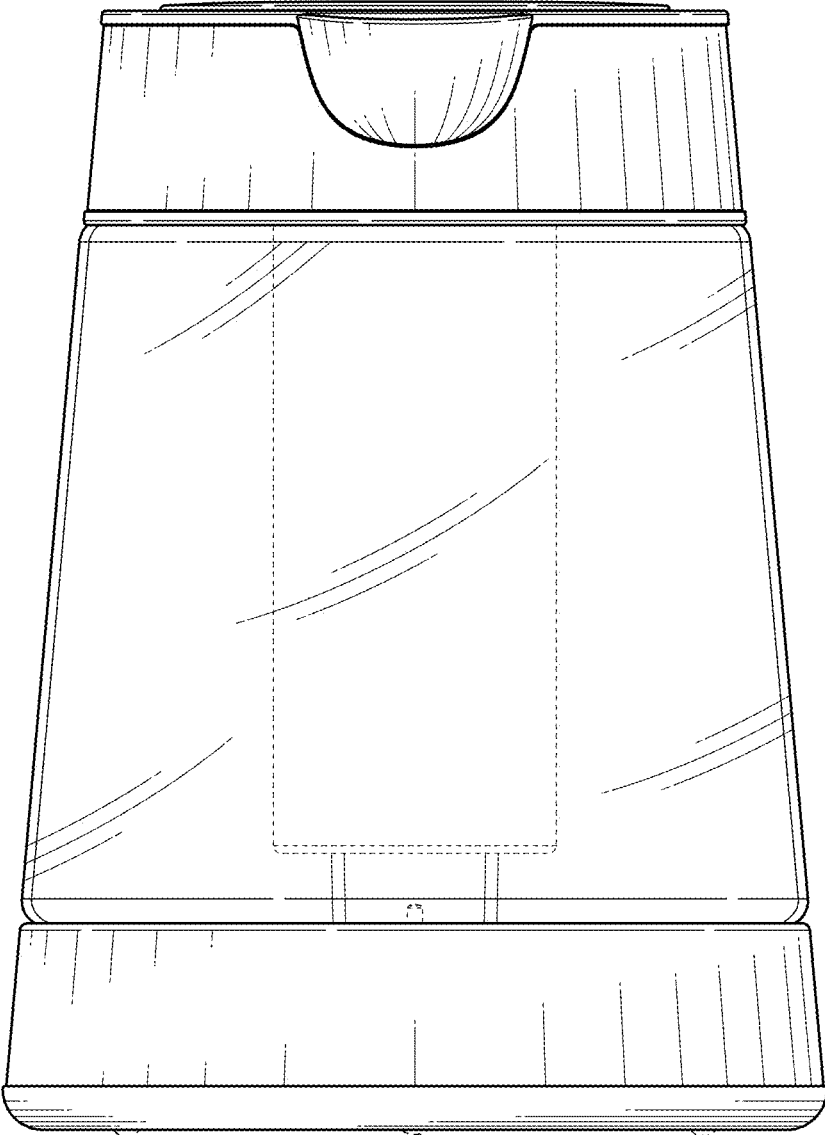


FIG. 2

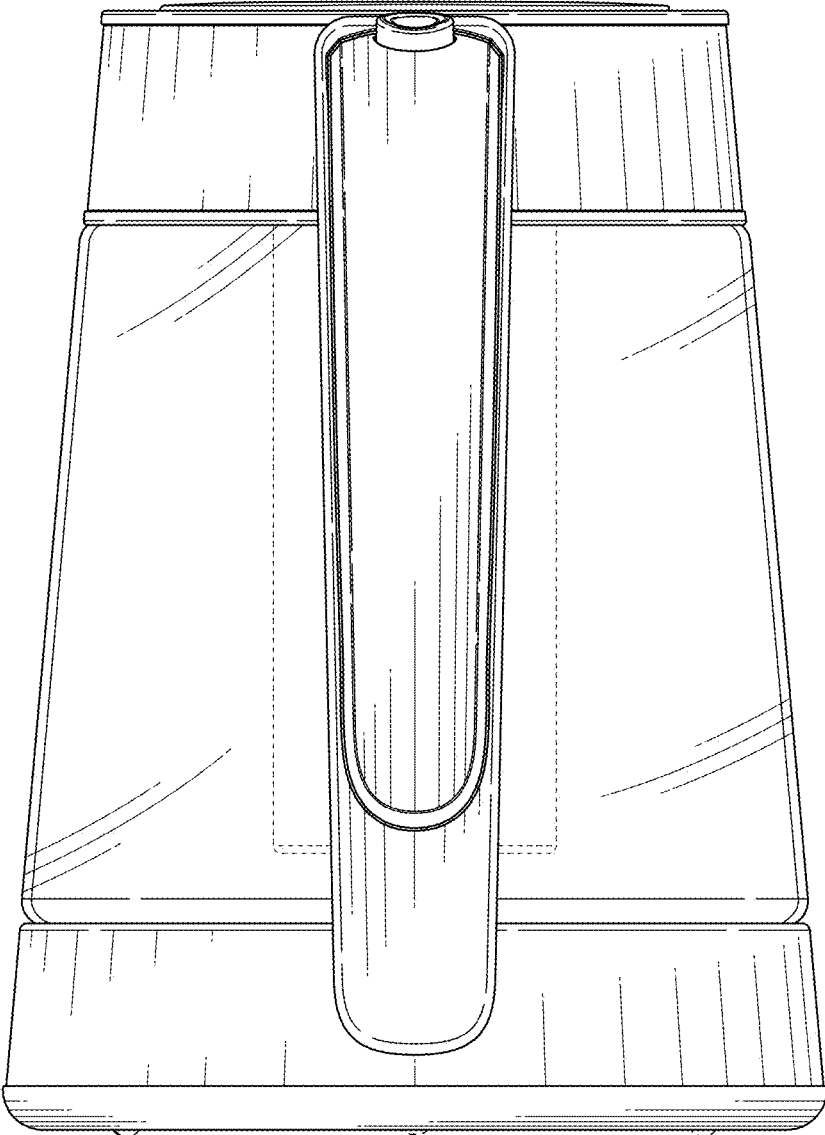


FIG. 3

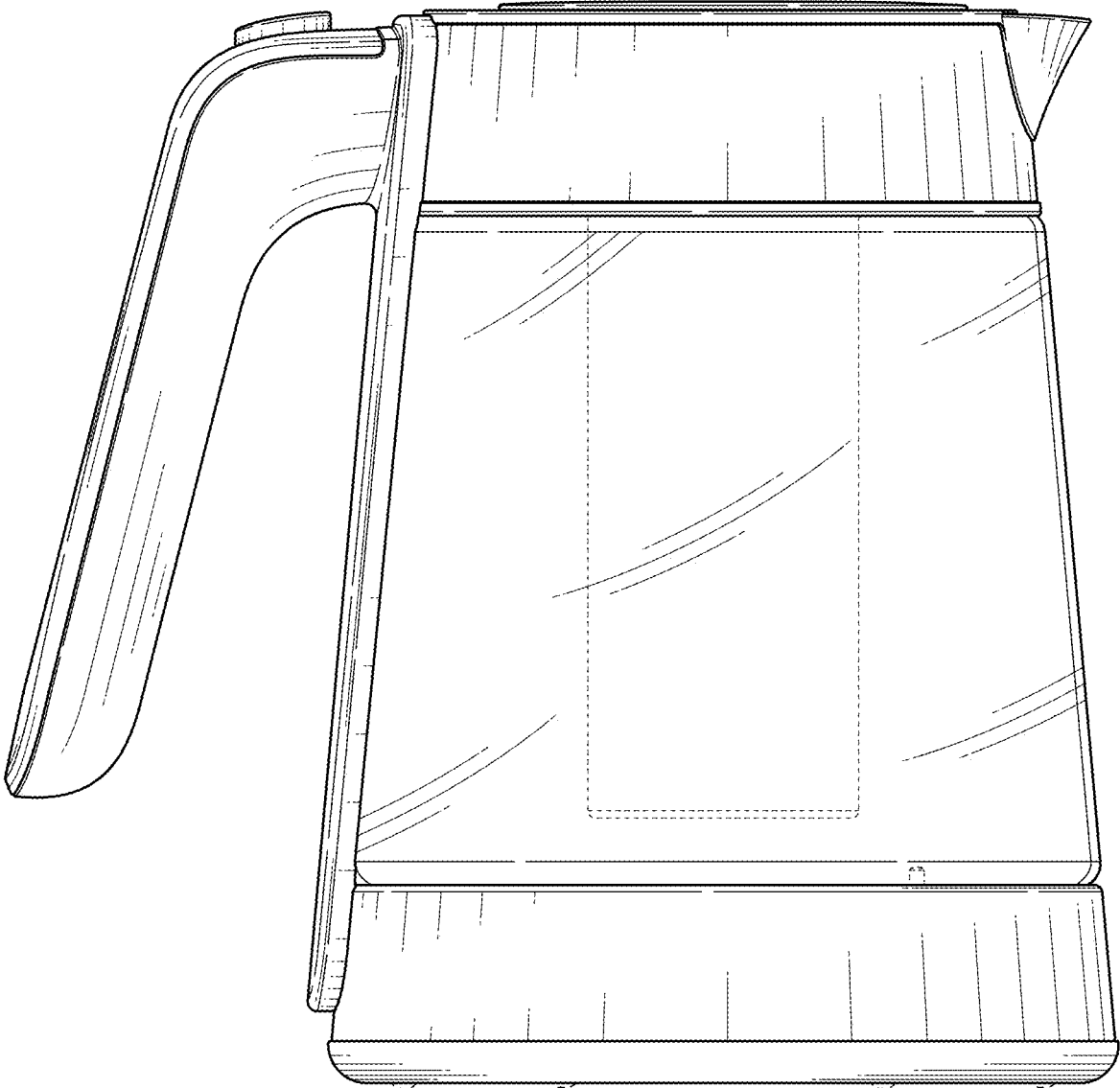


FIG. 4

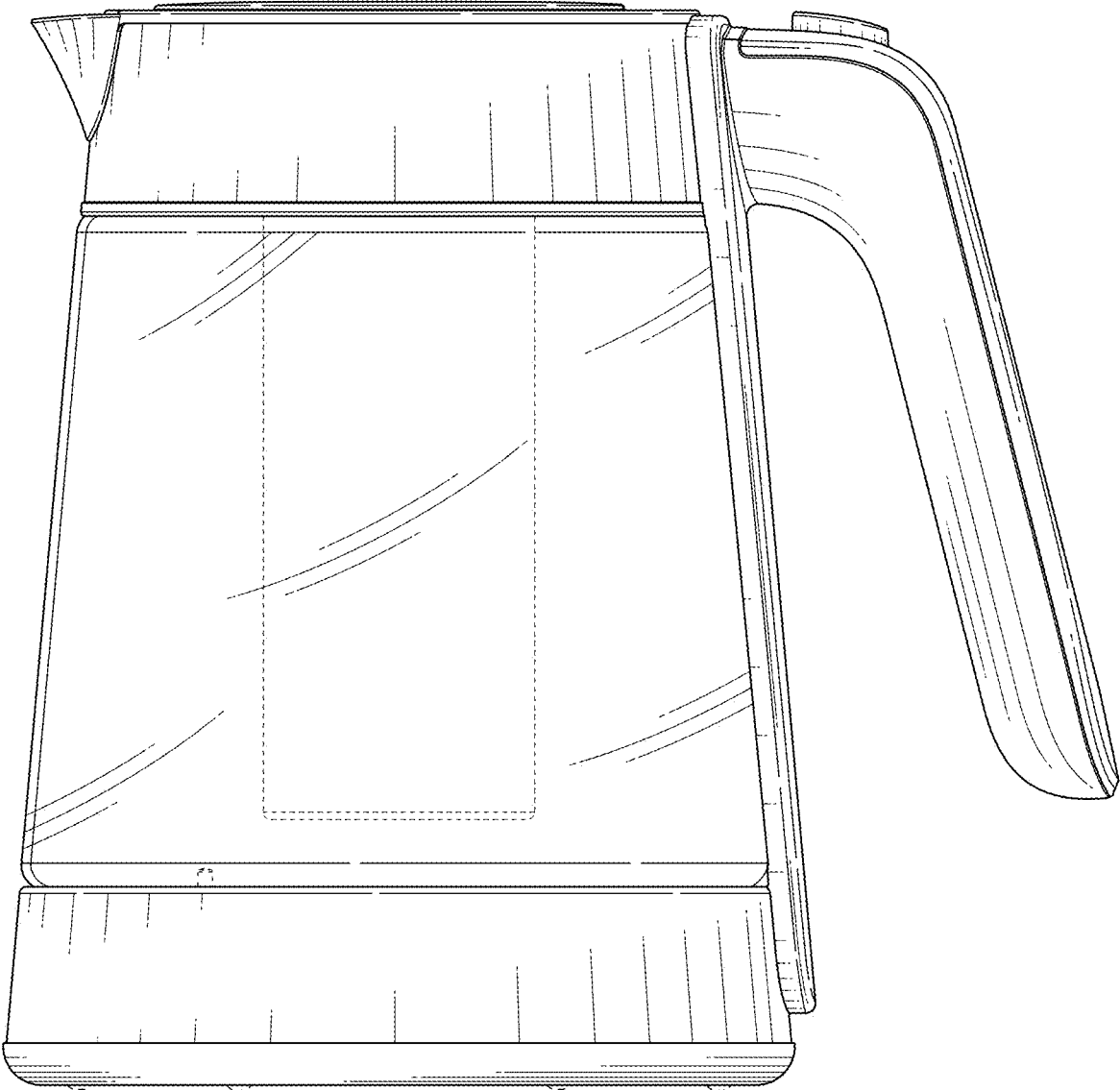


FIG. 5

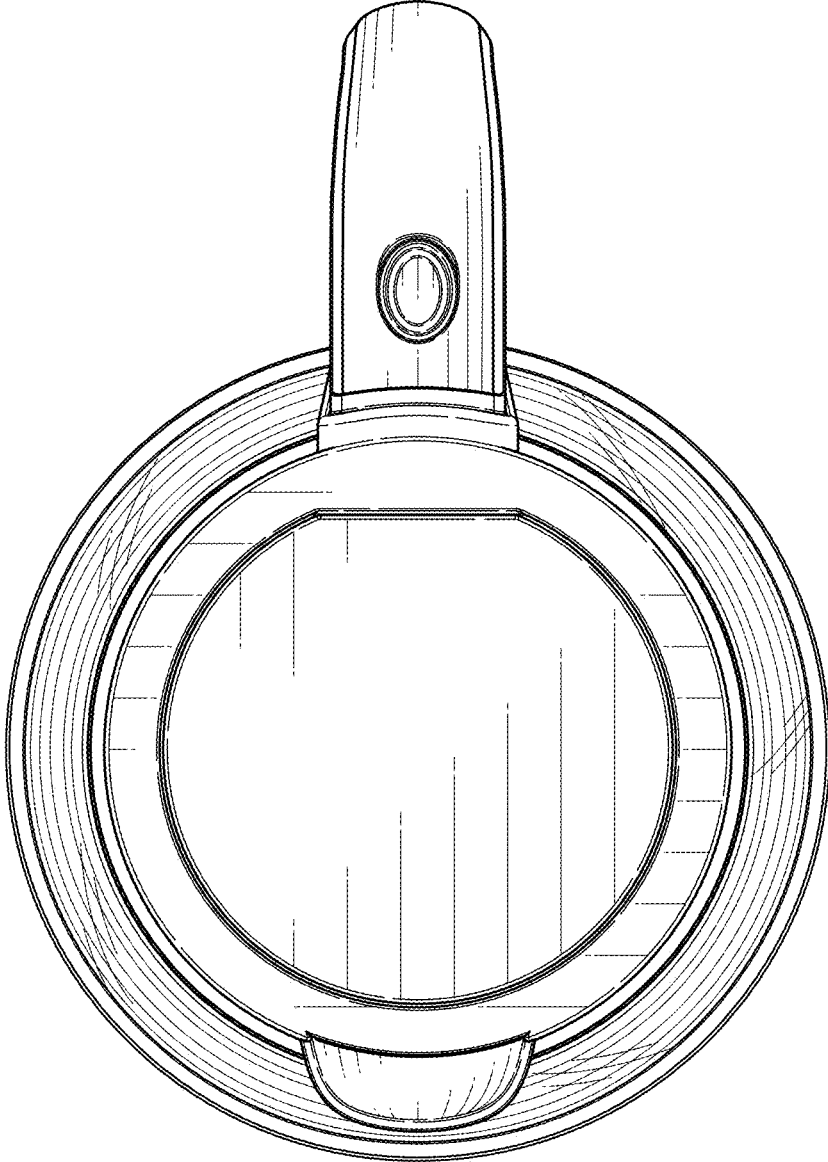


FIG. 6

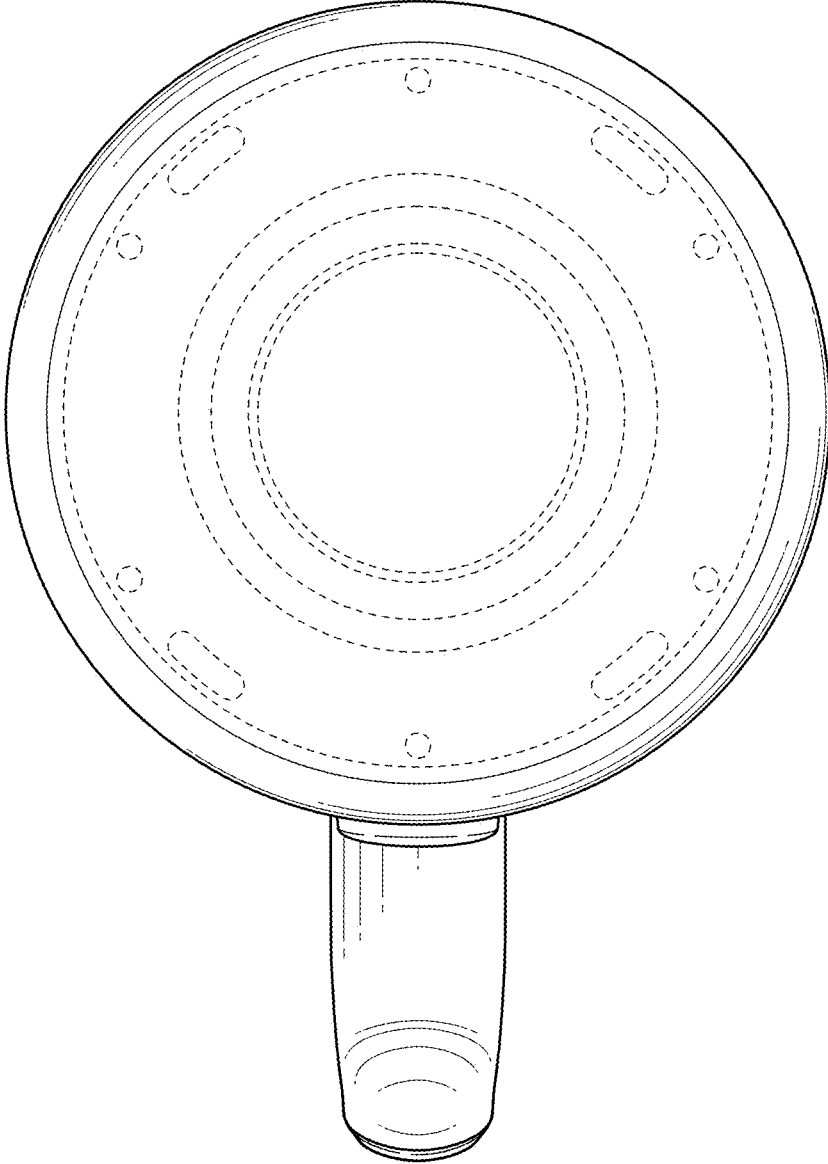


FIG. 7

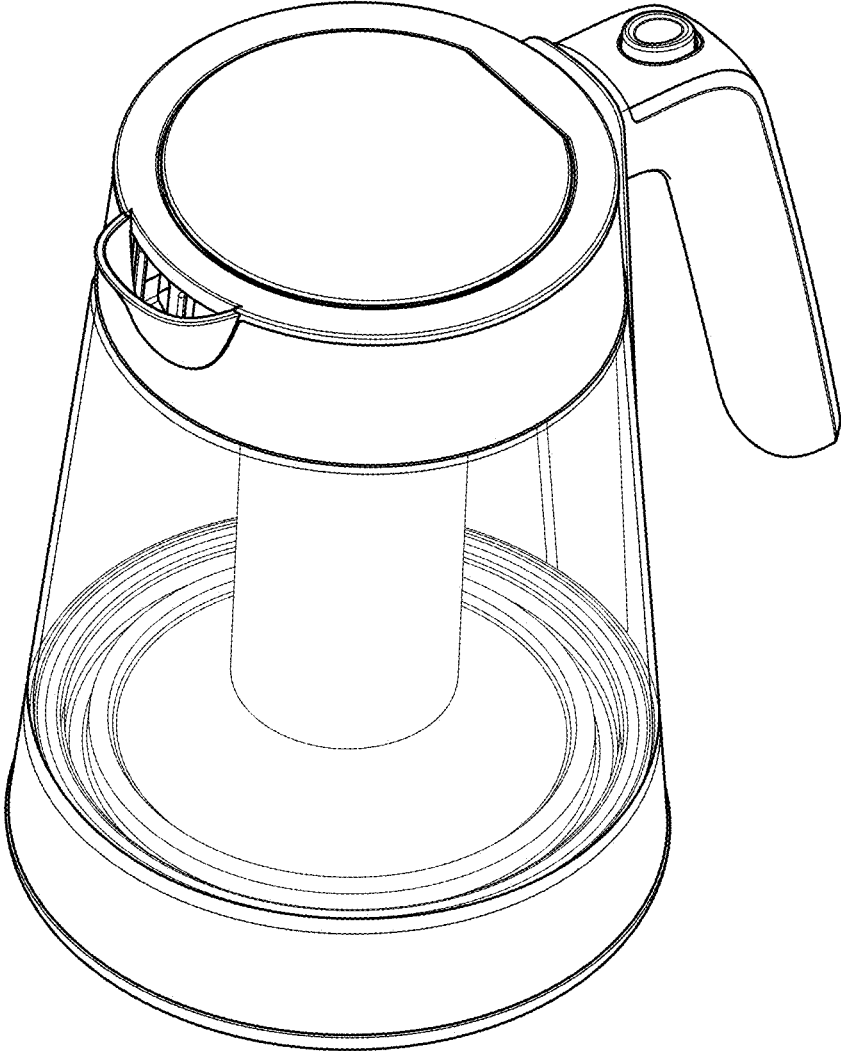


FIG. 8

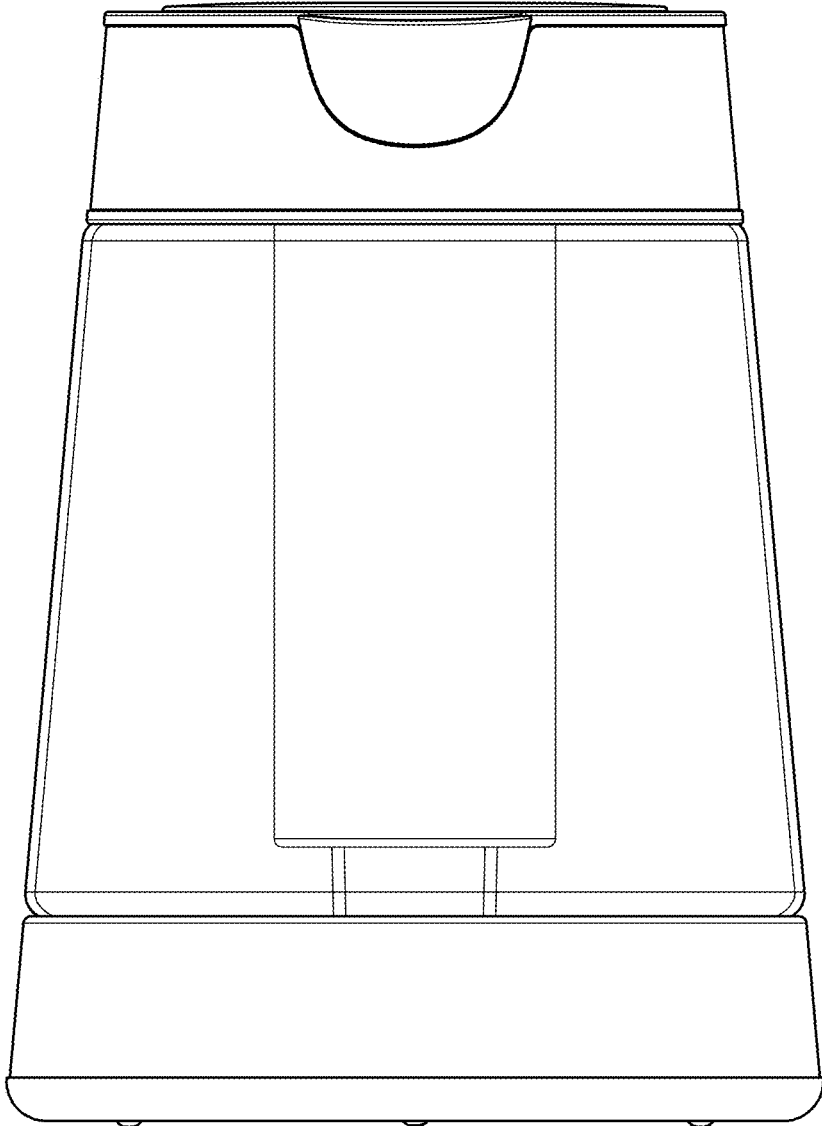


FIG. 9

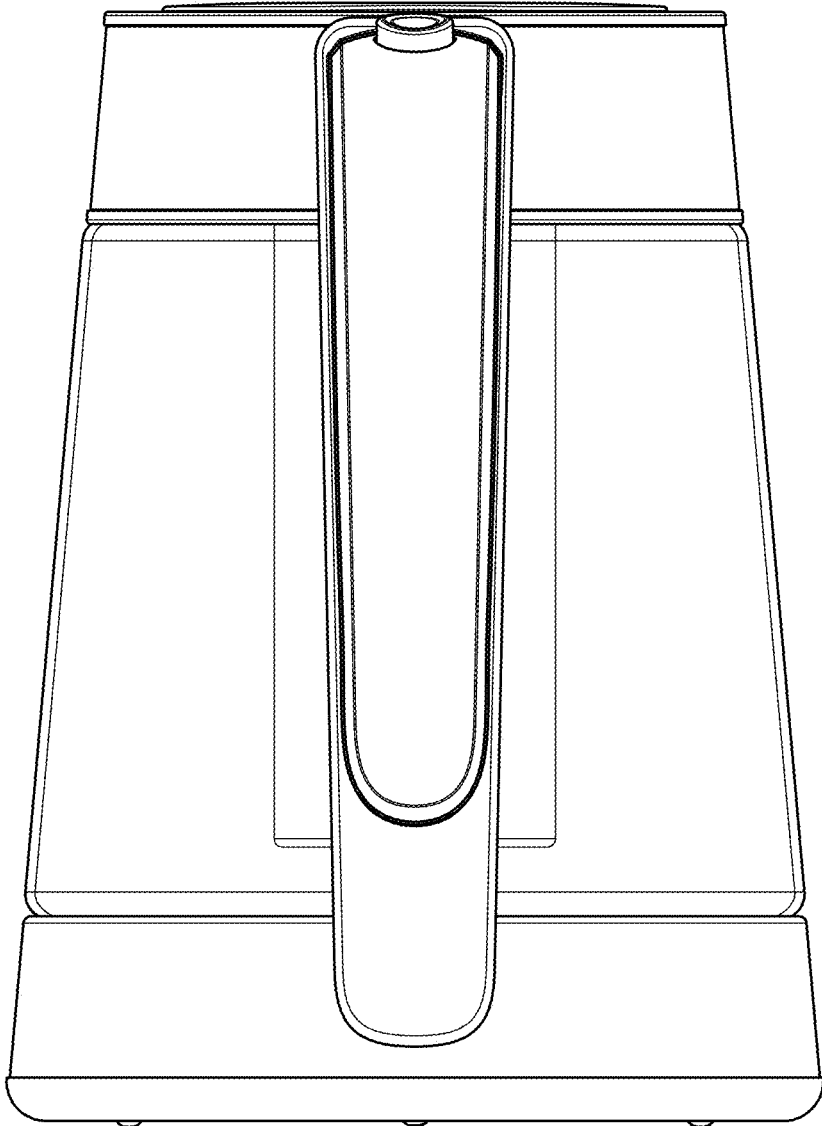


FIG. 10

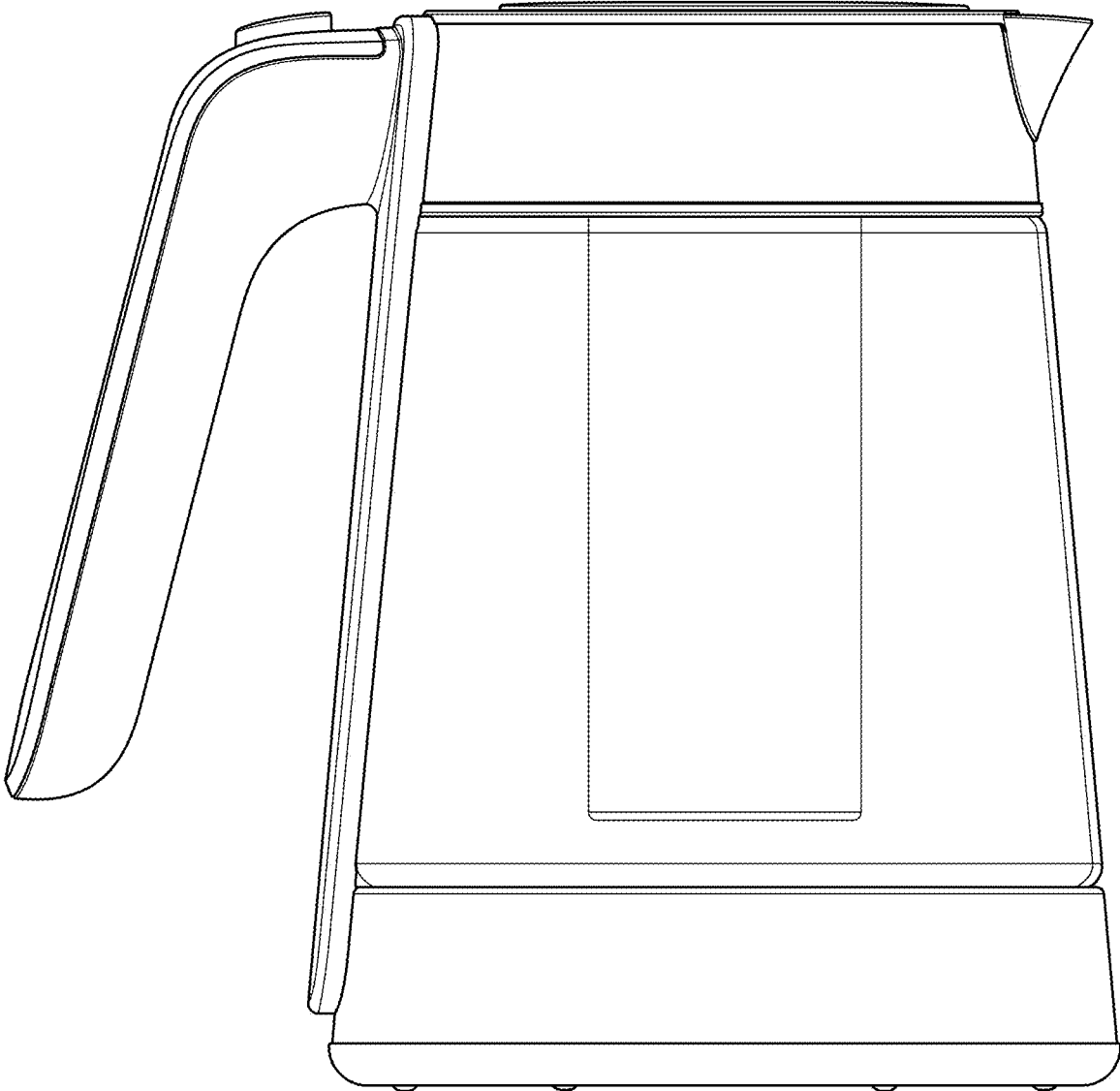


FIG. 11

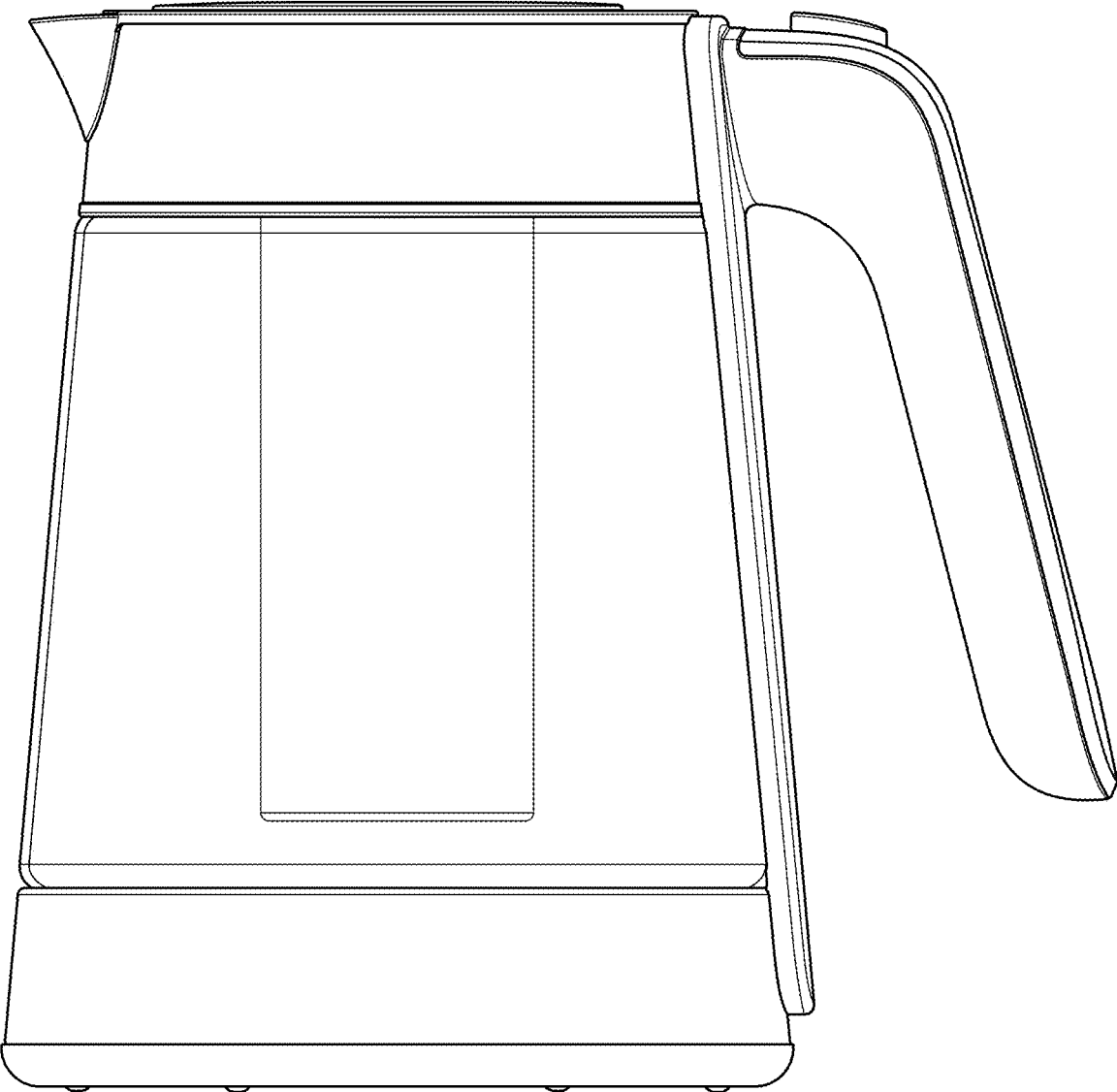


FIG. 12

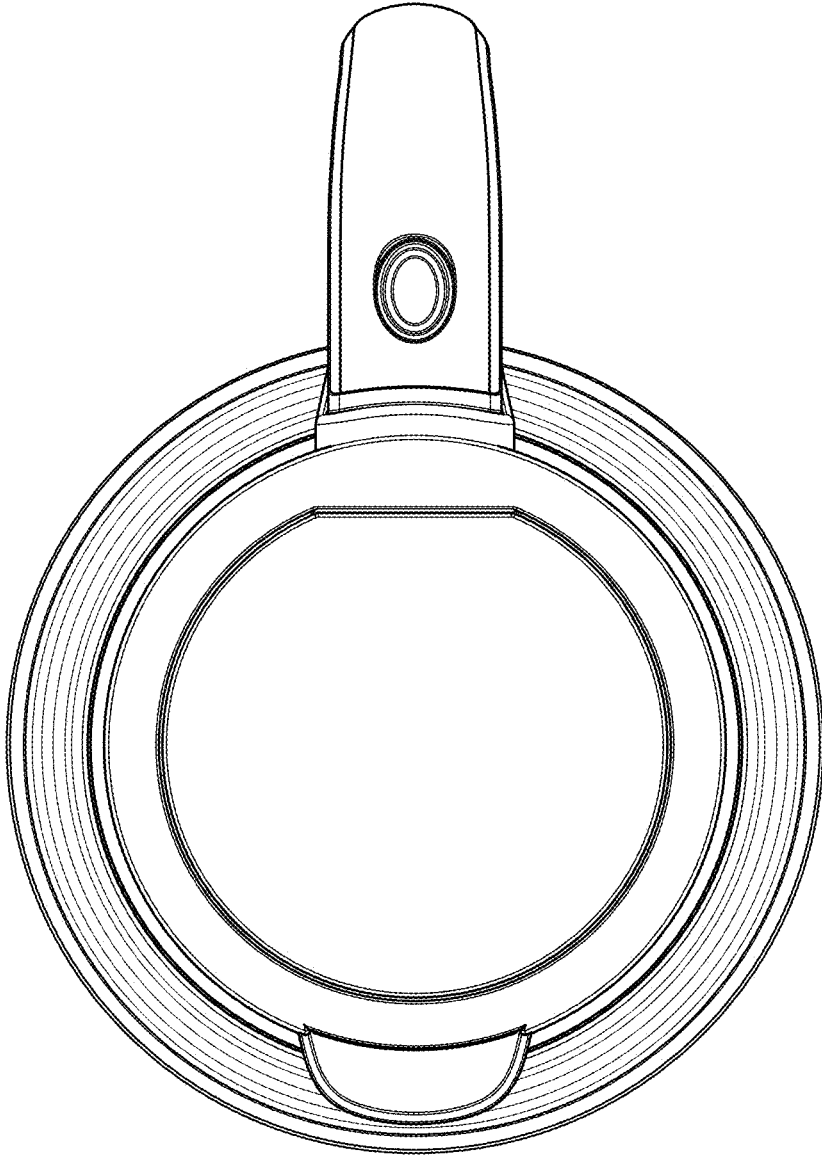


FIG. 13

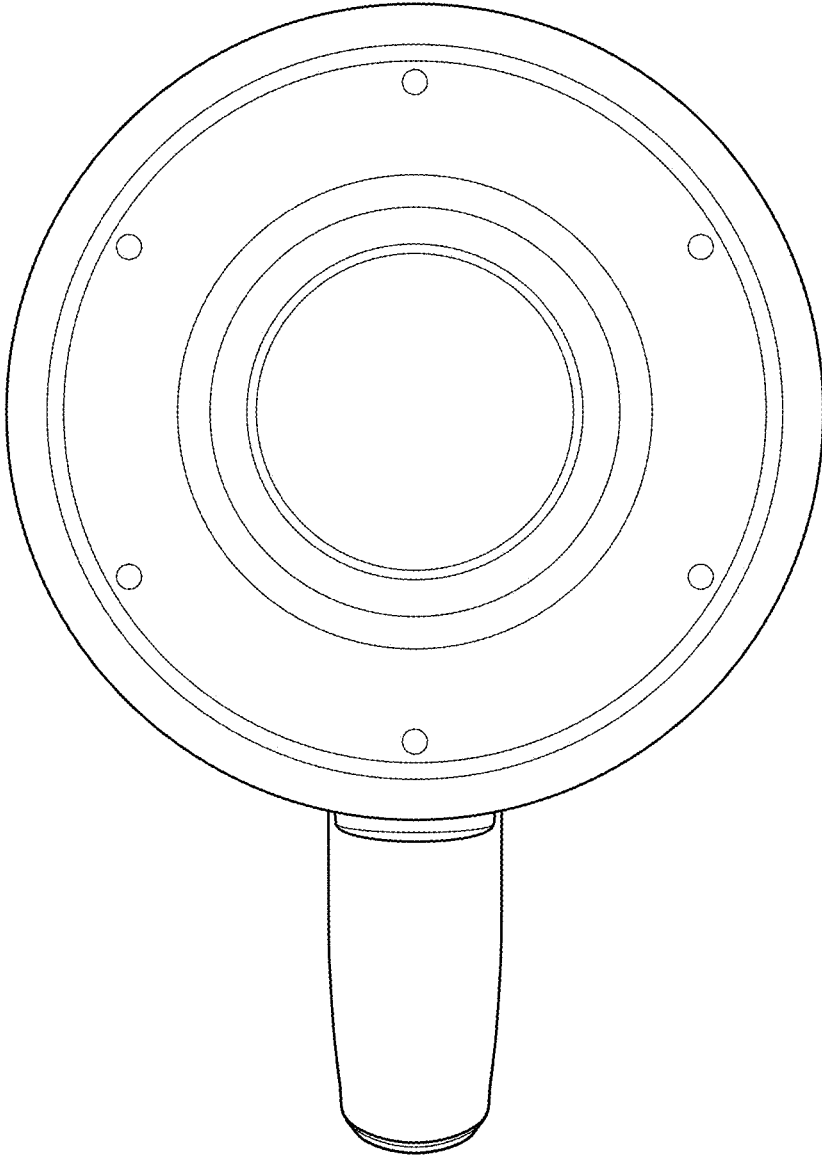


FIG. 14

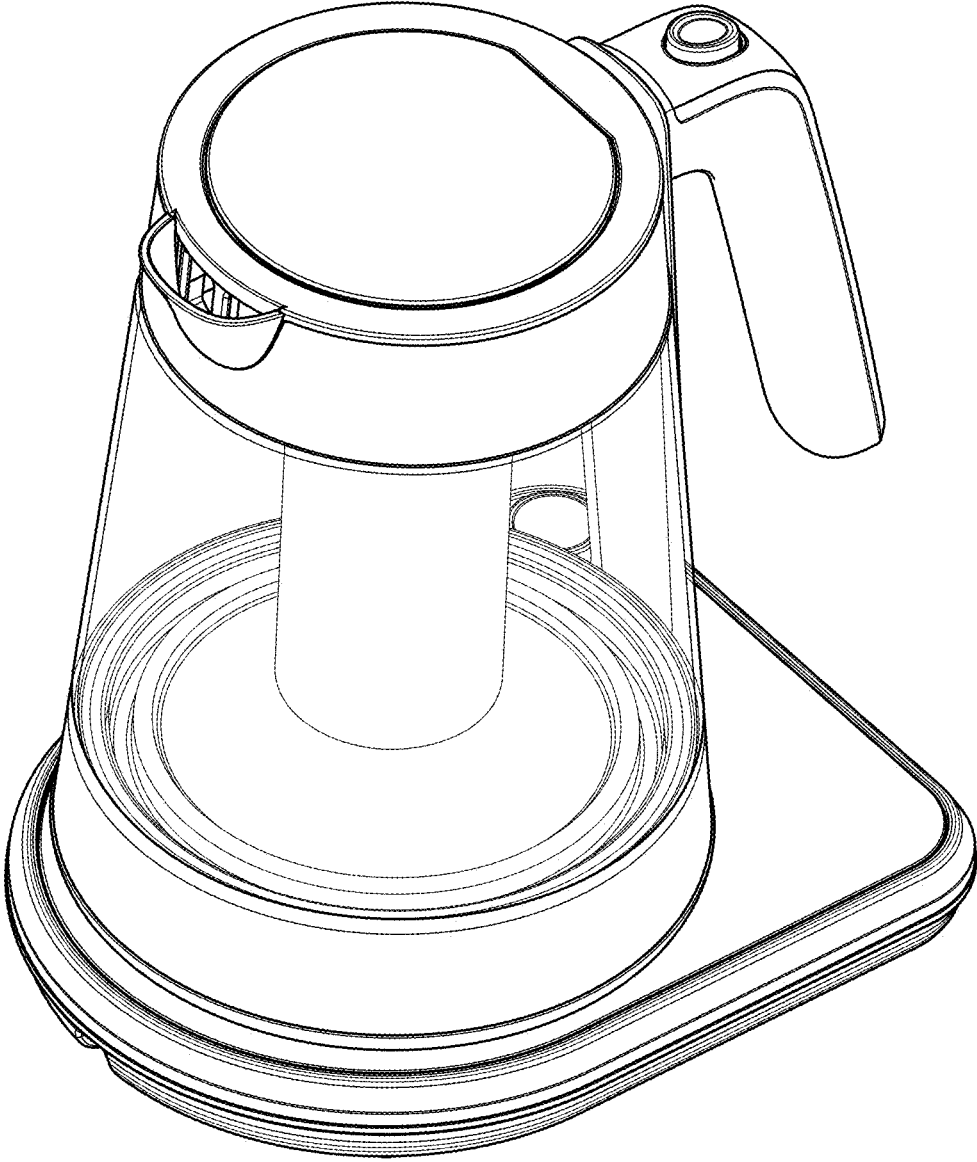


FIG. 15

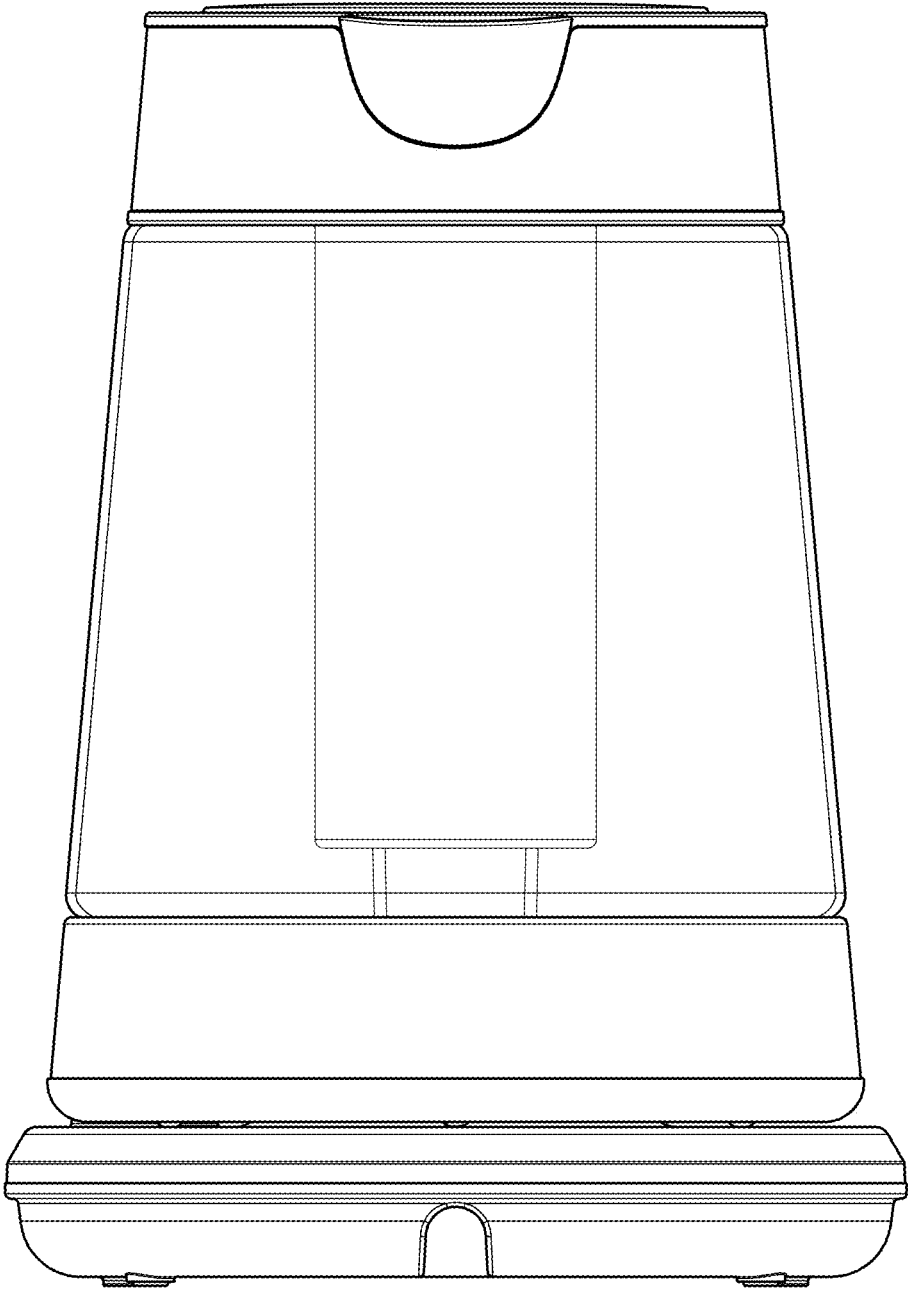


FIG. 16

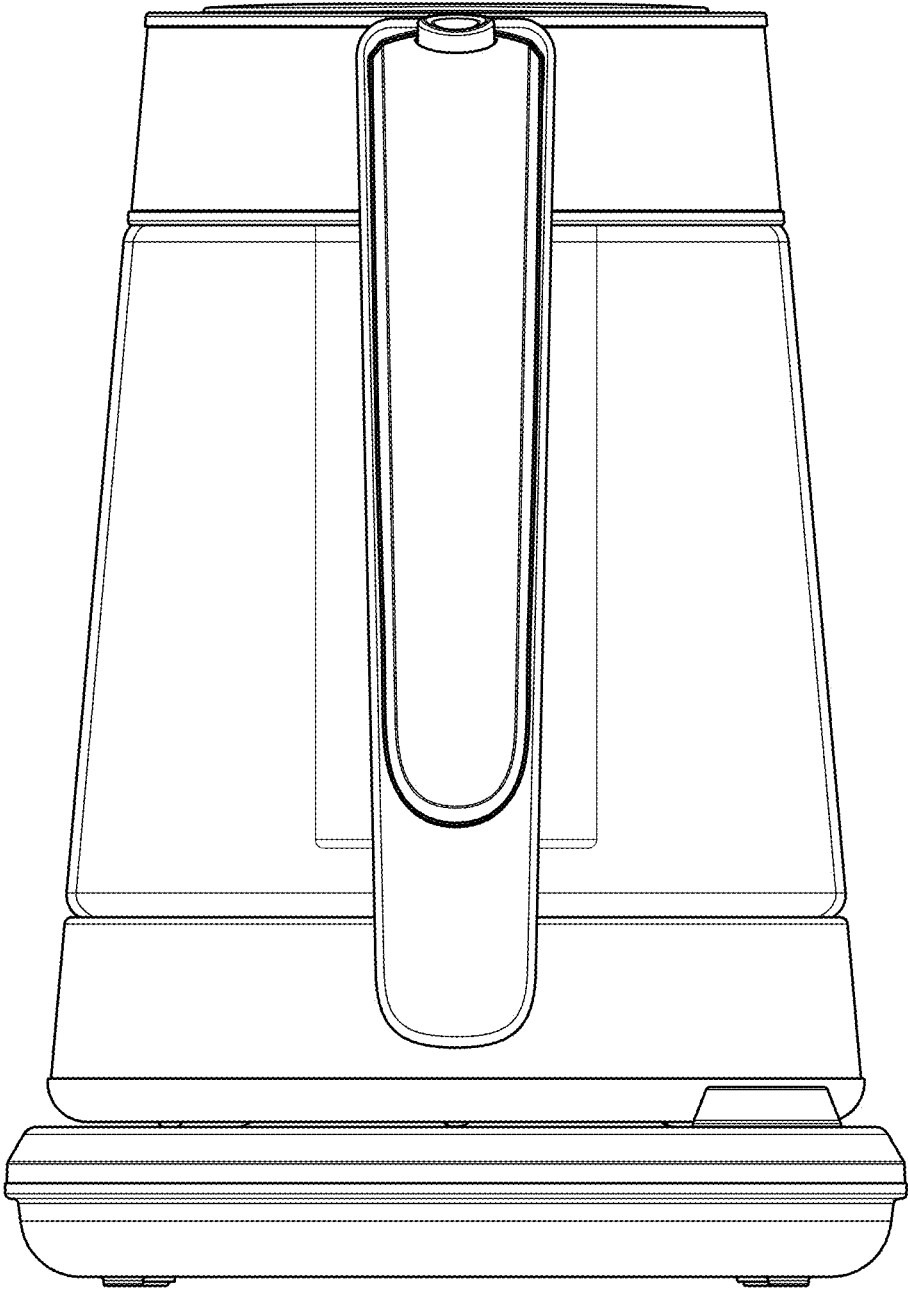


FIG. 17

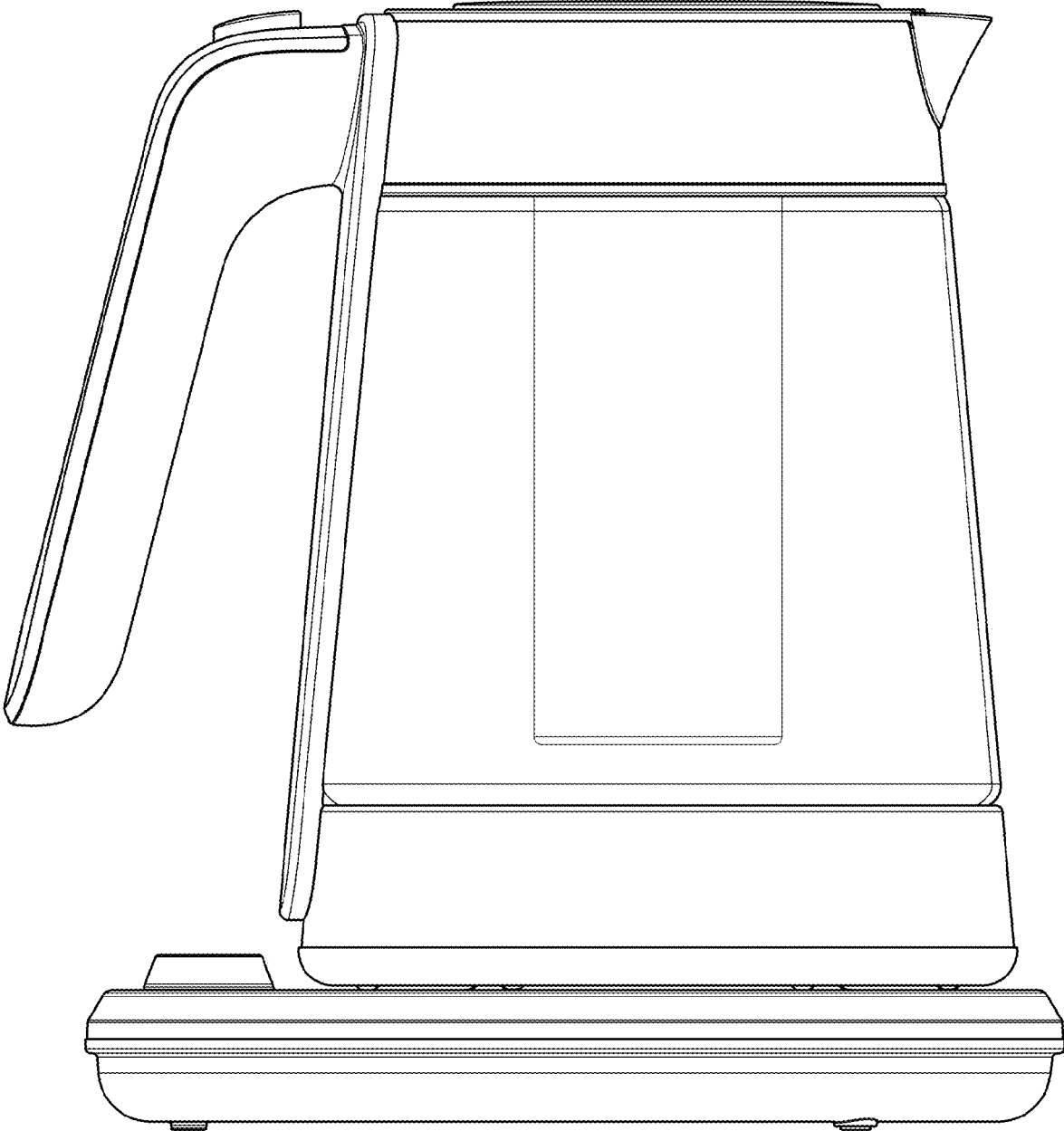


FIG. 18

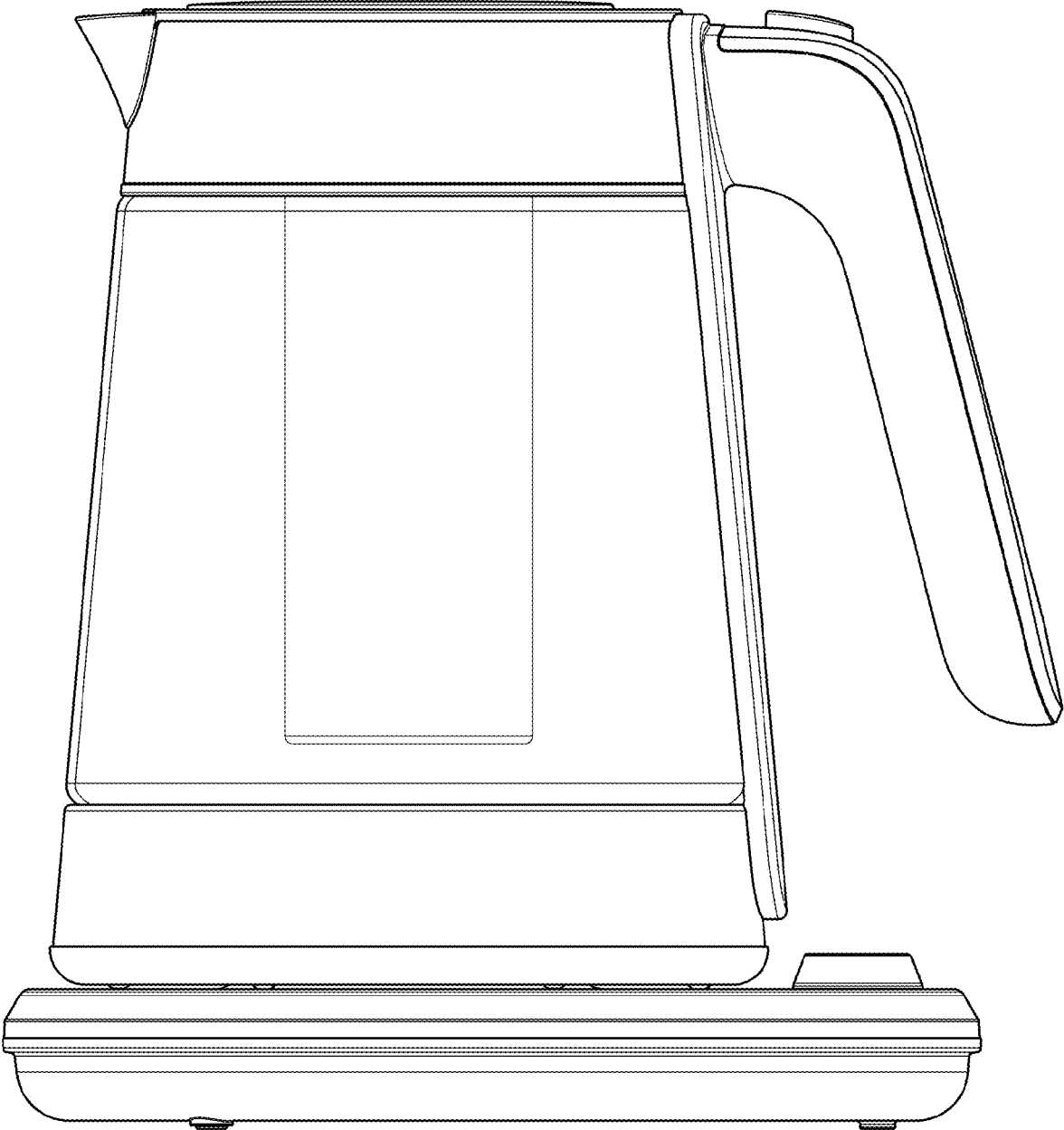


FIG. 19

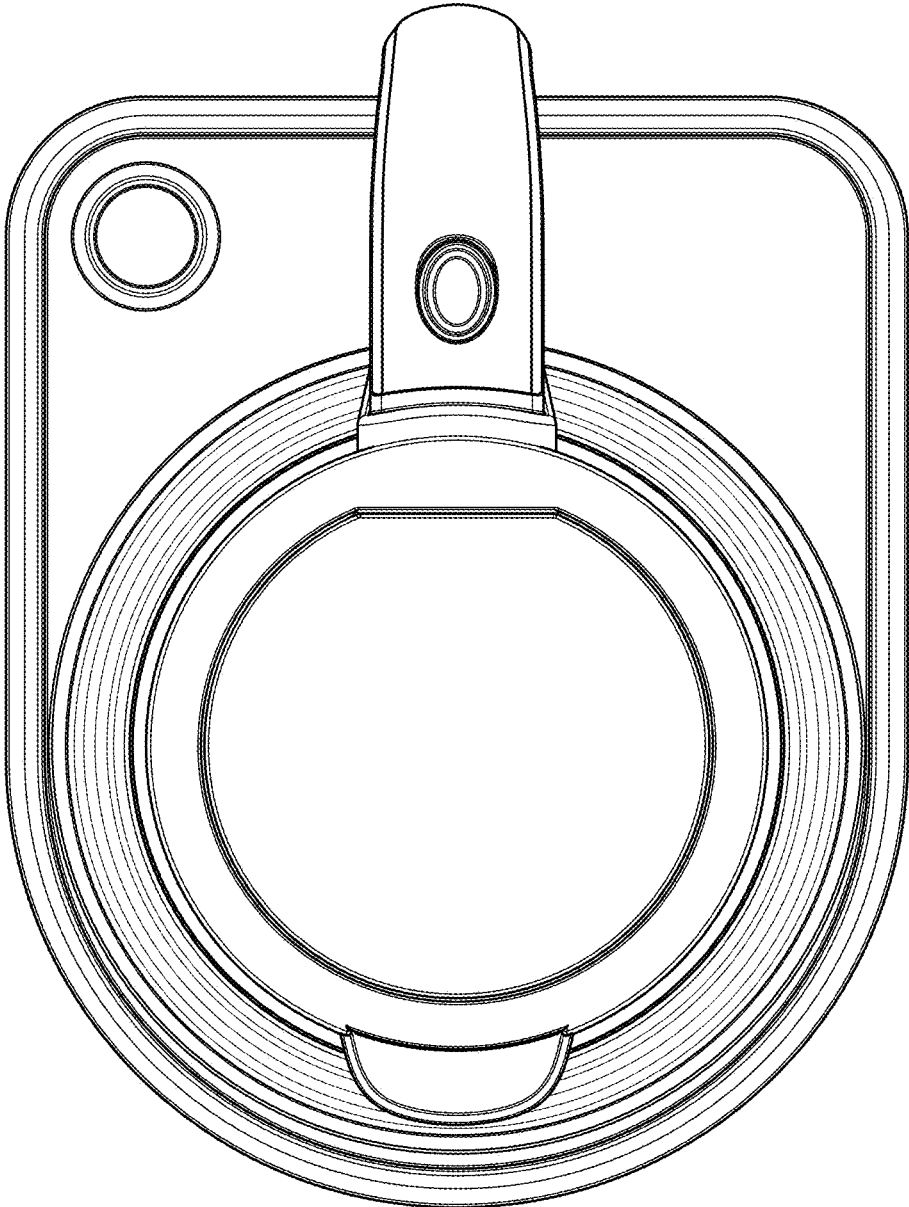


FIG. 20

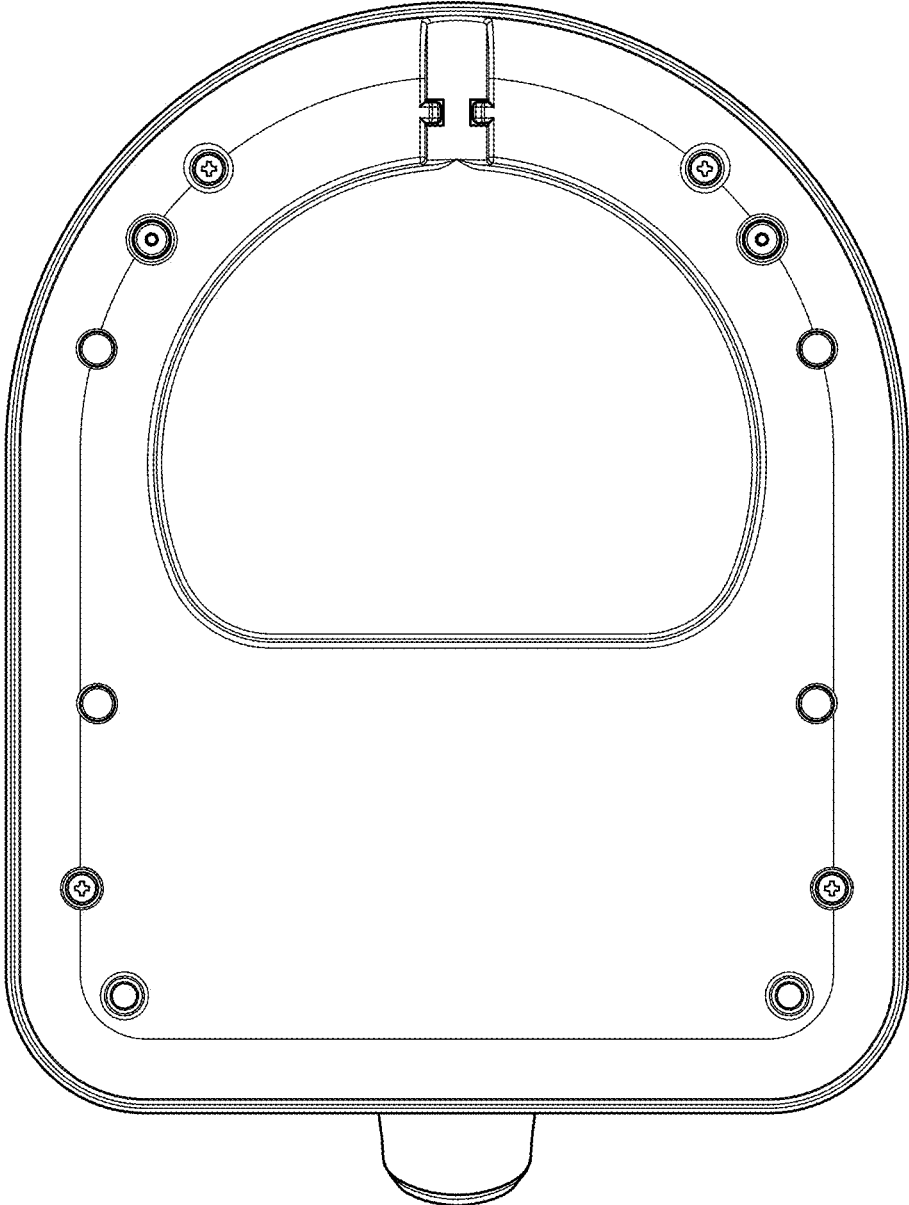


FIG. 21