



US00D718924S

(12) **United States Design Patent**
Lai

(10) **Patent No.:** **US D718,924 S**

(45) **Date of Patent:** **** Dec. 9, 2014**

(54) **PILL BOX**

D587,898 S * 3/2009 Cetera D3/203.2

* cited by examiner

(71) Applicant: **Hon Hai Precision Industry Co., Ltd.,**
New Taipei (TW)

Primary Examiner — Catheri Oliver-Garcia

(72) Inventor: **Kuo-Ming Lai,** New Taipei (TW)

(74) *Attorney, Agent, or Firm* — Novak Druce Connolly
Bove + Quigg LLP

(73) Assignee: **Hon Hai Precision Industry Co., Ltd.,**
New Taipei (TW)

(57) **CLAIM**

The ornamental design for a pill box, as shown and described.

(**) Term: **14 Years**

DESCRIPTION

(21) Appl. No.: **29/467,103**

FIG. 1 is a perspective view of a pill box showing my new design.

(22) Filed: **Sep. 16, 2013**

FIG. 2 is a front elevational view thereof.

(30) **Foreign Application Priority Data**

FIG. 3 is a rear elevational view thereof.

Apr. 12, 2013 (TW) 102302641 U

FIG. 4 is a left side elevational view thereof.

(51) **LOC (10) Cl.** **03-01**

FIG. 5 is a right side elevational view thereof.

(52) **U.S. Cl.**

FIG. 6 is a top plan view thereof.

USPC **D3/203.2**

FIG. 7 is a bottom plan view thereof; and,

(58) **Field of Classification Search**

FIG. 8 is a perspective view of another aspect of the “pill box”, showing parts of the “pill box” which is in a state of use.

USPC D3/201–205; 206/528–540

See application file for complete search history.

The broken lines shown in the figures form no part of the claimed design and the shade lines in the figures show contour and not surface ornamentation.

(56) **References Cited**

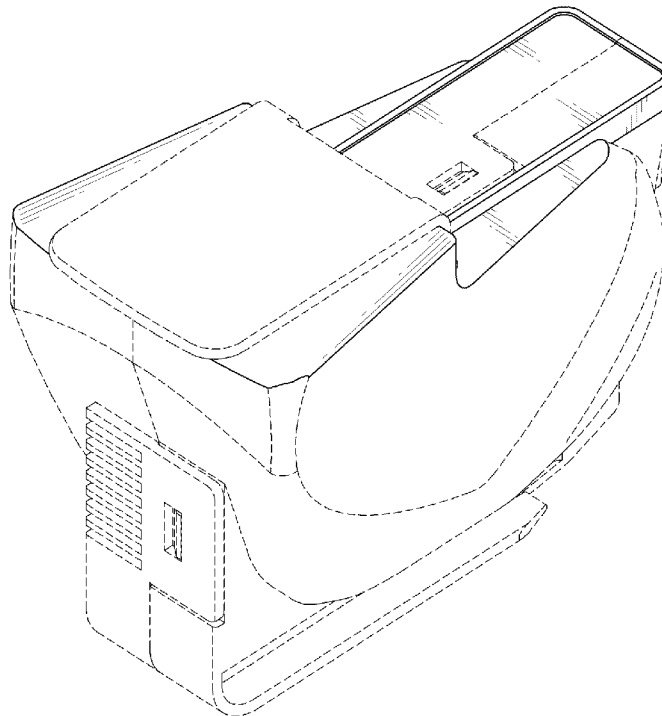
The pill box is intended to be used to accommodate a plurality of pills and can be installed in an automatic pill dispensing machine.

U.S. PATENT DOCUMENTS

D208,273 S * 8/1967 Bundy D3/203.2

D274,040 S * 5/1984 Ridgley D3/203.3

1 Claim, 8 Drawing Sheets



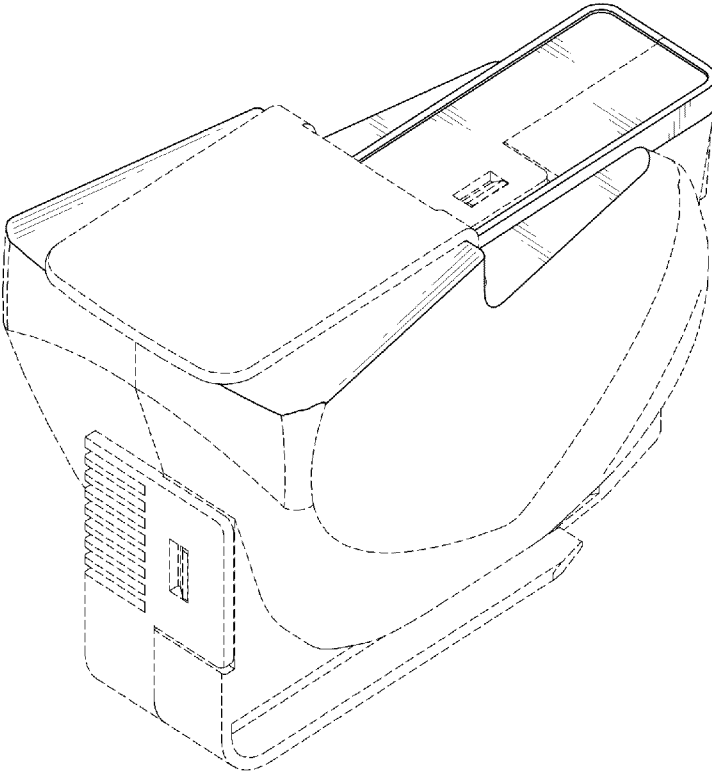


FIG. 1

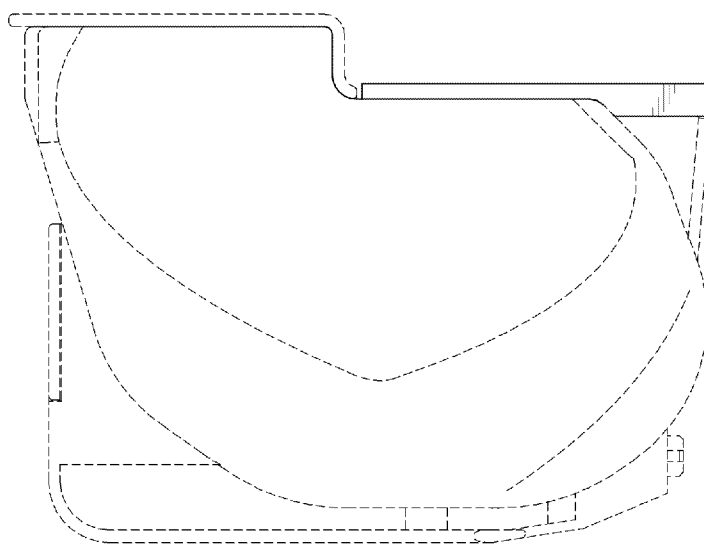


FIG. 2

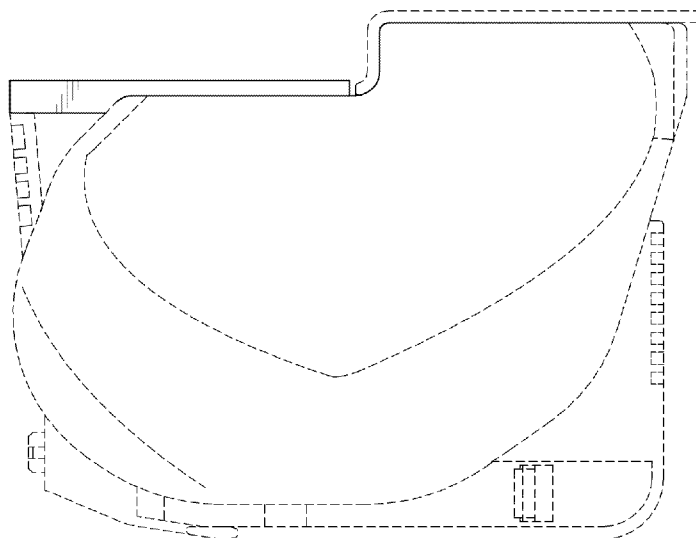


FIG. 3

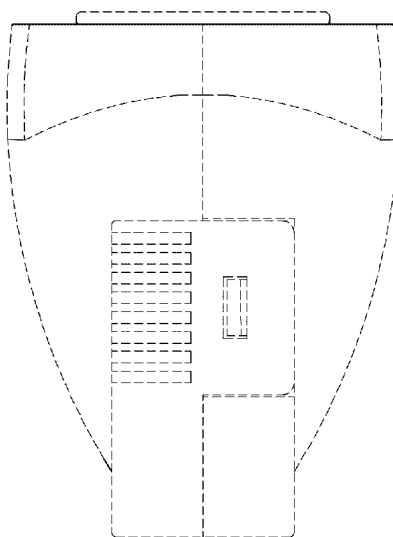


FIG. 4

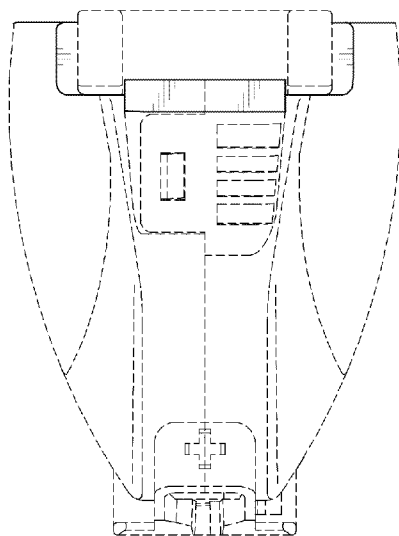


FIG. 5

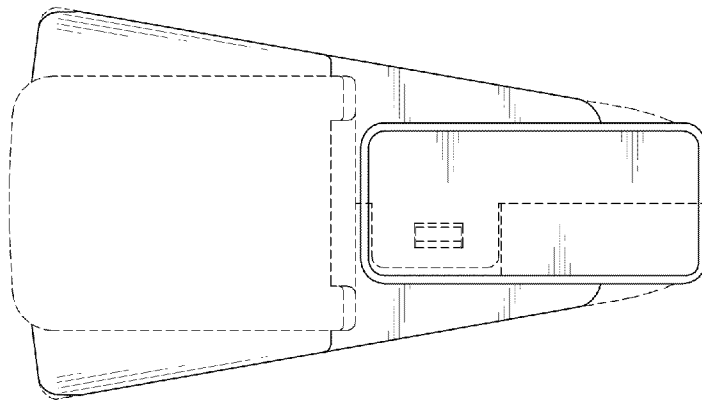


FIG. 6

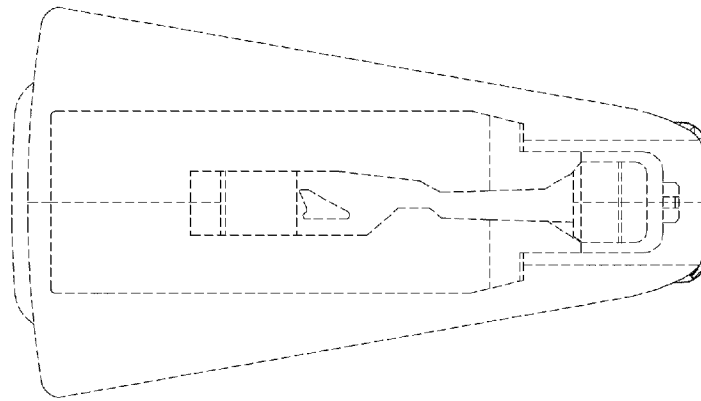


FIG. 7

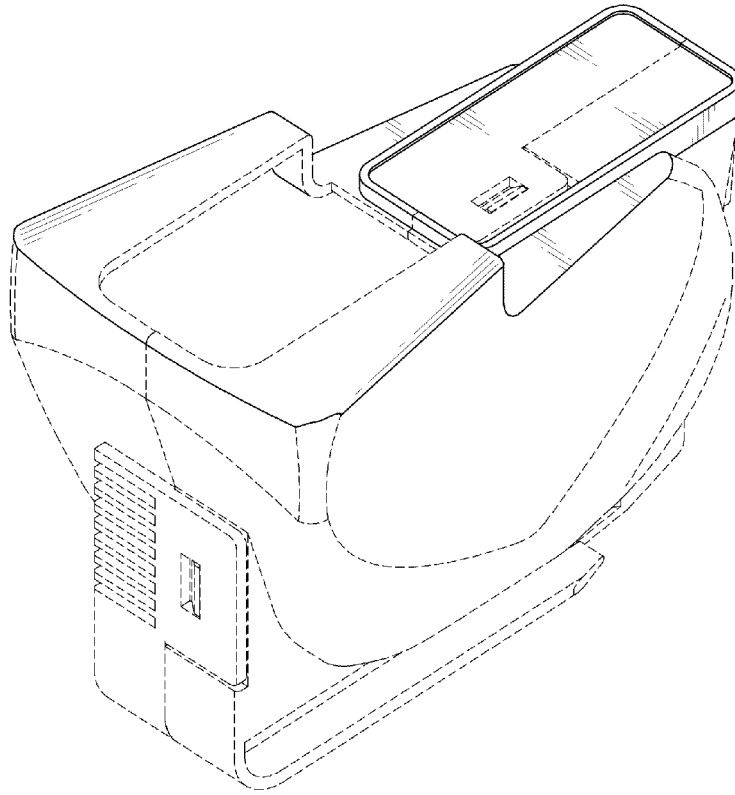


FIG. 8