



US00D745725S

(12) **United States Design Patent**  
**McMahan et al.**

(10) **Patent No.:** **US D745,725 S**

(45) **Date of Patent:** **\*\* Dec. 15, 2015**

(54) **VEHICLE REAR TAILLAMP**

(56) **References Cited**

(71) Applicant: **GM Global Technology Operations LLC**, Detroit, MI (US)

U.S. PATENT DOCUMENTS

(72) Inventors: **Robert B. McMahan**, Bloomfield Hills, MI (US); **Brendon C. Mackay**, Shelby Township, MI (US); **Tyler L. H. Moffett**, Detroit, MI (US)

D476,759 S \* 7/2003 Lin ..... D26/28  
D483,890 S \* 12/2003 Lin ..... D26/28  
D497,018 S \* 10/2004 Lin ..... D26/28  
D541,445 S \* 4/2007 Lin ..... D26/28

(73) Assignee: **GM Global Technology Operations LLC**, Detroit, MI (US)

OTHER PUBLICATIONS

(\*\*) Term: **14 Years**

Design U.S. Appl. No. 29/457,761, filed Jun. 12, 2013; First Named Inventor: Niels Loeb; Title: Vehicle Rearlight; 4 pages.  
Design U.S. Appl. No. 29/457,762, filed Jun. 12, 2013; First Named Inventor: Niels Loeb; Title: Vehicle Rearlight; 4 pages.  
Design U.S. Appl. No. 29/473,980, filed Nov. 27, 2013; First Named Inventor: Louis D. Thole; Title: Vehicle Rear Taillamp; 3 pages.  
Design U.S. Appl. No. 29/491,286, filed May 20, 2014; First Named Inventor: Robert B. McMahan; Title: Vehicle Body Exterior; 7 pages.  
Design U.S. Appl. No. 29/501,210, filed Sep. 2, 2014; First Named Inventor: Robert E. Boniface; Title: Vehicle Rearlight; 3 pages.

(21) Appl. No.: **29/503,855**

\* cited by examiner

(22) Filed: **Sep. 30, 2014**

*Primary Examiner* — Marcus Jackson  
(74) *Attorney, Agent, or Firm* — Lionel D. Anderson; Reising Ethington P.C.

(51) **LOC (10) Cl.** ..... **26-06**

(52) **U.S. Cl.**

(57) **CLAIM**

The ornamental design for a vehicle rear taillamp, as shown and described.

USPC ..... **D26/28**

(58) **Field of Classification Search**

**DESCRIPTION**

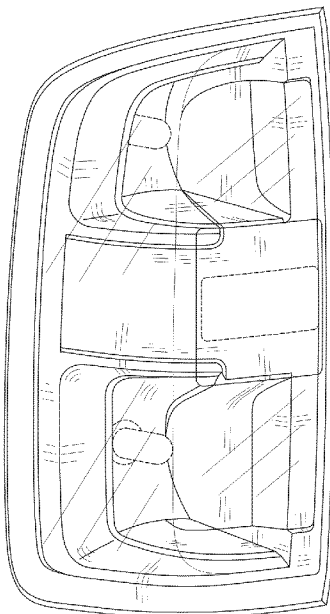
USPC ..... D26/28-36; 362/459-468, 475-478, 362/485-487

CPC ..... F21S 48/00; F21S 48/225; F21S 48/1233; F21S 48/1266; F21S 48/1388; F21S 48/2268; F21V 21/04

FIG. 1 is a perspective view of a vehicle rear taillamp; FIG. 2 is a front view thereof; FIG. 3 is a side elevation view thereof; and, FIG. 4 is a top plan view thereof. In the drawings, the portions shown by broken lines form no part of the claimed design.

See application file for complete search history.

**1 Claim, 2 Drawing Sheets**



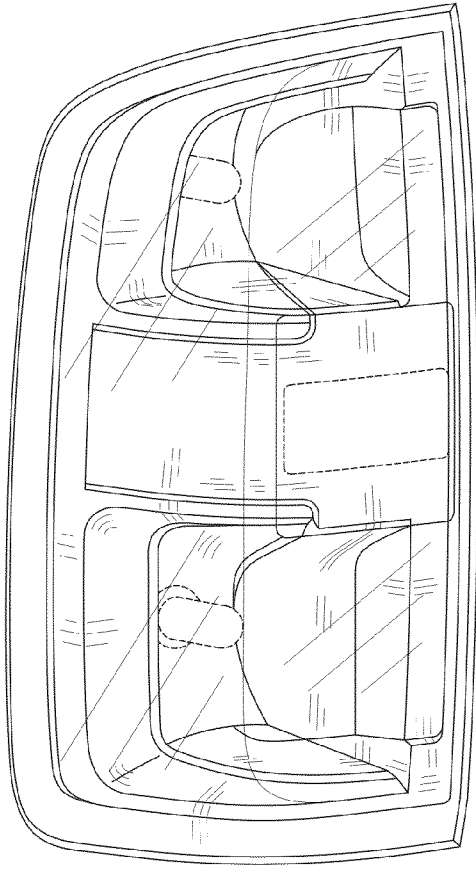


Fig-1

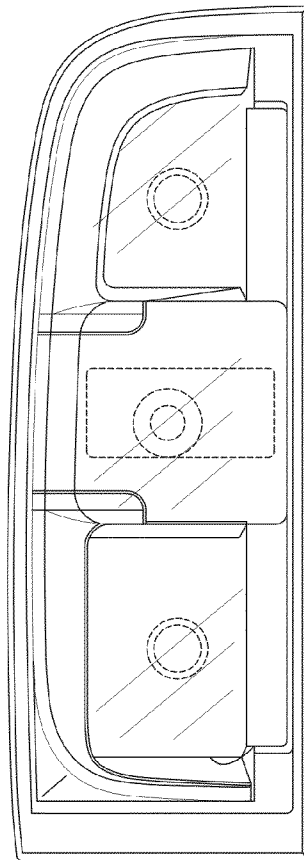


Fig-2

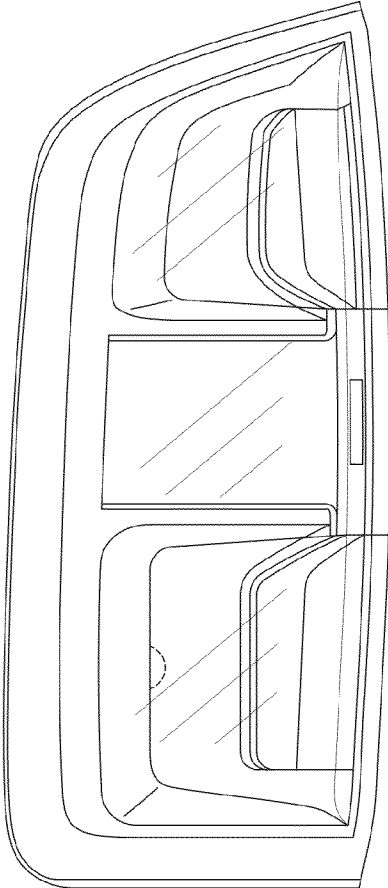


Fig-3

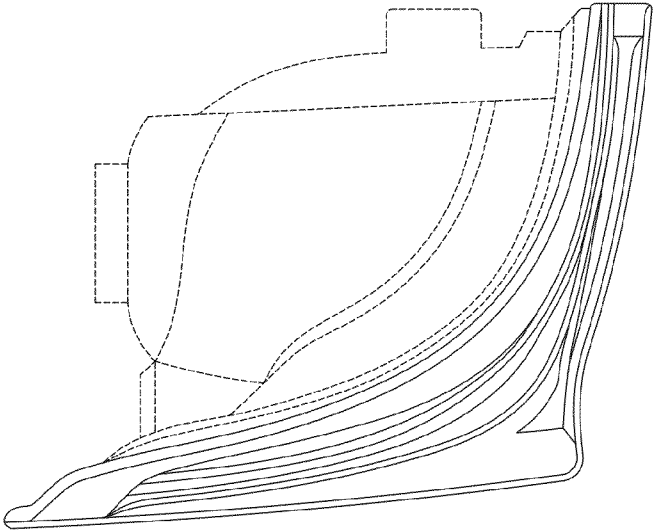


Fig-4