

[54] **BINGO CHIP BELL**

[76] **Inventor: William Coralline, 5235 W. Wabash Ave., Brown Deer, Wis. 53223**

[\*\*] **Term: 14 Years**

[21] **Appl. No.: 683,001**

[22] **Filed: Dec. 18, 1984**

[52] **U.S. Cl. .... D10/116**

[58] **Field of Search ..... 116/148, 151, 152, 155, 116/160, 164, 168, 171; D10/116**

[56] **References Cited**

**U.S. PATENT DOCUMENTS**

66,874	7/1867	Nichols	.....	116/160
171,084	12/1875	Barton	.....	116/164
173,514	2/1876	Stratton	.....	116/164

482,983	9/1892	Piper	.....	116/160
523,899	7/1894	Mackay	.....	116/160

**FOREIGN PATENT DOCUMENTS**

2425	of 1877	United Kingdom	.....	116/160
------	---------	----------------	-------	---------

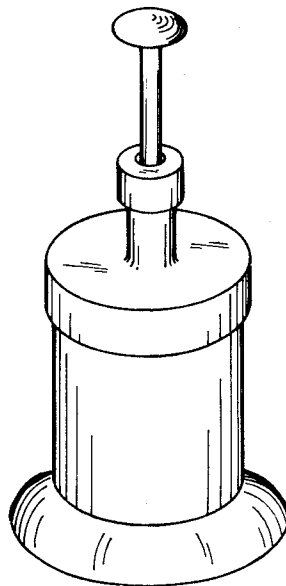
*Primary Examiner*—Catherine E. Kemper  
*Attorney, Agent, or Firm*—Ronald E. Barry

[57] **CLAIM**

The ornamental design for a bingo chip bell, as shown.

**DESCRIPTION**

FIG. 1 is a perspective view of a bingo chip bell, showing my new design;  
FIG. 2 is a side elevational view thereof;  
FIG. 3 is a top plan view thereof;  
FIG. 4 is a bottom plan view thereof.



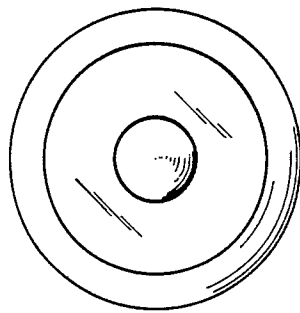


FIG. 3

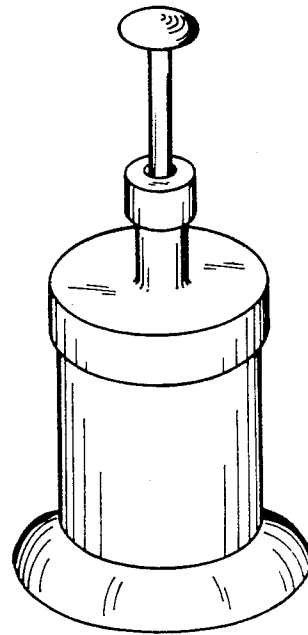


FIG. 1

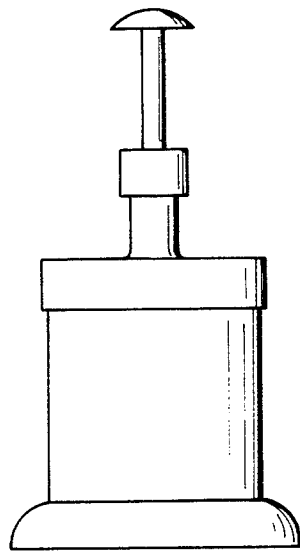


FIG. 2

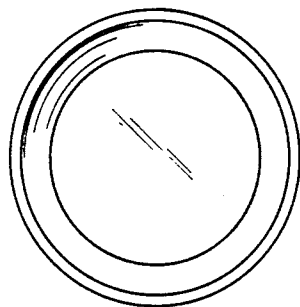


FIG. 4