



US00D434064S

United States Patent [19] Lane

[11] Patent Number: **Des. 434,064**

[45] Date of Patent: **** Nov. 21, 2000**

[54] **EYEGLASSES**

[75] Inventor: **Henry Welling Lane**, San Luis Obispo, Calif.

[73] Assignee: **Dioptics Medical Products, Inc.**, San Luis Obispo, Calif.

[**] Term: **14 Years**

[21] Appl. No.: **29/118,788**

[22] Filed: **Feb. 15, 2000**

Related U.S. Application Data

[62] Division of application No. 29/102,185, Mar. 17, 1999, abandoned.

[51] **LOC (7) Cl.** **16-06**

[52] **U.S. Cl.** **D16/330; D16/315**

[58] **Field of Search** D16/101, 300-330, D16/335; D29/109, 110; 351/41, 44, 51, 52, 103, 109, 111, 158; 2/447, 448

[56] **References Cited**

U.S. PATENT DOCUMENTS

- D. 104,320 4/1937 Bouchard .
- D. 112,976 1/1939 Brunetti .
- D. 112,989 1/1939 Diodati .
- D. 191,229 8/1961 Boxer D57/1
- D. 195,311 5/1963 McNeill D57/1
- D. 201,920 8/1965 McCulloch D57/1
- D. 204,163 3/1966 Mitchell D57/1
- D. 204,320 4/1966 Carmichael D57/1
- D. 204,498 4/1966 Mitchell D57/1
- D. 204,816 5/1966 Boxer D57/1
- D. 205,246 7/1966 Mitchell D57/1
- D. 210,423 3/1968 Mitchell D57/1
- D. 212,198 9/1968 Bloch D57/1
- D. 220,291 3/1971 Bloch D57/1
- D. 235,164 5/1975 Shindler D57/1 A
- D. 270,165 8/1983 Burns D16/117
- D. 274,437 6/1984 Dianitsch D16/110
- D. 284,769 7/1986 MacWilliamson D16/118
- D. 285,020 8/1986 Schmidthaler D2/234

- D. 293,328 12/1987 Murphy et al. D14/102
- D. 293,450 12/1987 Jannard D16/102
- D. 294,833 3/1988 Holden D16/112
- D. 295,286 4/1988 Takeuchi D16/110

(List continued on next page.)

FOREIGN PATENT DOCUMENTS

- 124450 8/1995 Australia .
- 127863 9/1996 Australia .
- 1185637 8/1959 France .

OTHER PUBLICATIONS

Solarshields Advertisement in Parade Magazine, Washington Post, May 10, 1992.

Bollé Polarisant Collection, 1993 Catalog.

Fisherman Eyewear, 1996 Catalog.

Fisherman Eyewear, 1997 Catalog.

Costa Del Mar, 1997 Catalog.

Hobie Polarized Sunglasses, 1997 Catalog.

Ocean Waves Advertisement, no date.

USA Sport Advertisement for Adjustable Deluxe Series, no date.

Primary Examiner—Raphael Barkai

Attorney, Agent, or Firm—Haverstock & Owens LLP

[57]

CLAIM

I claim the ornamental design for eyeglasses, as shown and described.

DESCRIPTION

FIG. 1 is a top perspective view of eyeglasses showing my new design;

FIG. 2 is a bottom perspective view thereof;

FIG. 3 is front elevational view thereof;

FIG. 4 is a rear elevational view thereof;

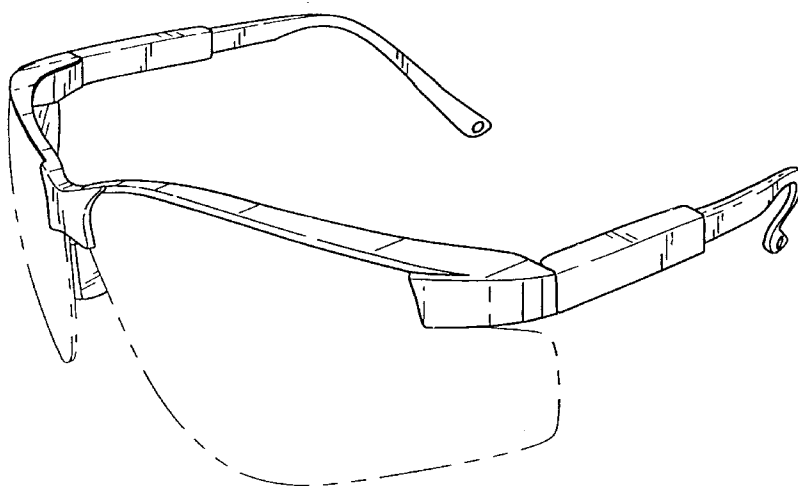
FIG. 5 is a right side elevational view thereof, the left side being a mirror image of the right side;

FIG. 6 is a top view thereof; and,

FIG. 7 is a bottom view thereof.

The broken line shown in FIGS. 1-7 is for illustrative purposes only and forms no part of the claimed design.

1 Claim, 4 Drawing Sheets



U.S. PATENT DOCUMENTS

D. 295,533	5/1988	Wichers	D16/102	3,233,249	2/1966	Baratelli et al.	2/14
D. 295,870	5/1988	Laterre	D16/112	3,395,406	8/1968	Smith	2/14
D. 308,980	7/1990	McGee	D16/112	3,675,991	7/1972	Brenn	351/41
D. 313,236	12/1990	Mackay	D16/102	3,901,589	8/1975	Bienenfeld	351/47
D. 317,771	6/1991	Mackay	D16/102	3,932,031	1/1976	Johnston	351/47
D. 323,335	1/1992	Dalloz	D16/112	4,217,037	8/1980	Lemelson	351/44
D. 323,515	1/1992	Arbez	D16/102	4,298,991	11/1981	Recenello	2/13
D. 324,394	3/1992	Jannard	D16/102	4,582,401	4/1986	Grindle	351/45
D. 329,445	9/1992	Jannard	D16/116	4,670,914	6/1987	Harris	2/436
D. 330,560	10/1992	Dweck	D16/315	4,701,962	10/1987	Simon	2/15
D. 330,561	10/1992	Wilson	D16/315	4,726,075	2/1988	Hinrichs	2/13
D. 330,716	11/1992	Jannard	D16/116	4,741,611	5/1988	Burns	351/44
D. 330,903	11/1992	Jannard	D16/116	4,751,746	6/1988	Rustin	2/13
D. 335,133	4/1993	Langley	D16/102	4,797,956	1/1989	Boyce	2/431
D. 335,135	4/1993	Bolle	D16/112	5,000,080	3/1989	Grendol et al.	351/41
D. 339,596	9/1993	Kopfer	D16/102	4,877,320	10/1989	Holden	351/44
D. 344,742	3/1994	Jannard	D16/112	4,955,708	9/1990	Kahaney	351/44
D. 347,015	5/1994	Saik	D16/112	4,976,530	12/1990	Mackay et al.	351/44
D. 354,972	1/1995	Hirschman	D16/314	5,000,558	3/1991	Blackstone	351/41
D. 365,357	12/1995	Jannard et al.	D16/335	5,146,623	9/1992	Paysan et al.	2/12
D. 365,837	1/1996	Canavan	D16/325	5,164,749	11/1992	Shelton	351/47
D. 366,056	1/1996	Wolfe	D16/314	5,218,385	6/1993	Lii	351/158
D. 371,382	7/1996	Berthet-Bondet	D16/326	5,220,689	6/1993	Miller	2/12
D. 371,384	7/1996	Bonnemere	D16/330	5,264,875	11/1993	Cooper	351/44
D. 374,025	9/1996	Canavan	D16/330	5,300,963	4/1994	Tanaka	351/44
D. 376,613	12/1996	Stepan et al.	D16/327	5,319,396	6/1994	Cesarczyk	351/62
D. 377,802	2/1997	Leonardi	D16/313	5,321,443	6/1994	Huber et al.	351/47
D. 379,633	6/1997	Garneau	D16/315	5,357,292	10/1994	Wiedner	351/105
D. 380,003	6/1997	Wiedner	D16/325	5,379,464	1/1995	Schleger et al.	2/431
D. 384,364	9/1997	Yee	D16/330	5,388,269	2/1995	Griffin	2/13
D. 385,897	11/1997	Lin	D16/314	5,394,567	3/1995	Vatterott	2/449
D. 387,083	12/1997	Stables	D16/321	5,402,189	3/1995	Gill	351/44
D. 388,453	12/1997	Lin	D16/315	5,422,684	6/1995	Keller	351/41
D. 389,167	1/1998	Bolle	D16/315	5,423,092	6/1995	Kawai	2/441
D. 396,484	7/1998	Stables	D16/326	5,428,407	6/1995	Sheffield	351/58
D. 397,132	8/1998	Yee	D16/315	5,438,706	8/1995	Lambur	2/13
D. 397,354	8/1998	Kuo	D16/330	5,463,428	10/1995	Lipton et al.	351/158
D. 397,713	9/1998	Brune et al.	D16/326	5,469,229	11/1995	Greenbaum	351/44
D. 398,021	9/1998	Bolle	D16/315	5,483,303	1/1996	Hirschman	351/118
D. 398,323	9/1998	Bolle	D16/315	5,488,438	1/1996	Cochran	351/45
D. 399,519	10/1998	Yee	D16/314	5,502,515	3/1996	Sansalone	351/43
D. 401,607	11/1998	Miniutti	D16/314	5,530,490	6/1996	Canavan	351/41
D. 402,303	12/1998	Simioni	D16/326	5,543,864	8/1996	Hirschman et al.	351/47
D. 403,345	12/1998	Flanagan	D16/327	5,548,351	8/1996	Hirschman et al.	351/47
D. 404,054	1/1999	Arnette et al.	D16/326	5,561,480	10/1996	Capes	351/45
D. 404,416	1/1999	Wiedner	D16/315	5,598,230	1/1997	Quaresima	351/44
D. 415,186	10/1999	Tabacchi	D16/315	5,608,469	3/1997	Bollé	351/44
D. 421,449	3/2000	Wolfe	D16/315	5,614,963	3/1997	Parker	351/47
2,300,365	10/1942	Wagner	2/14	5,619,750	4/1997	Allewalt	2/13
				5,654,786	8/1997	Bylander	351/49

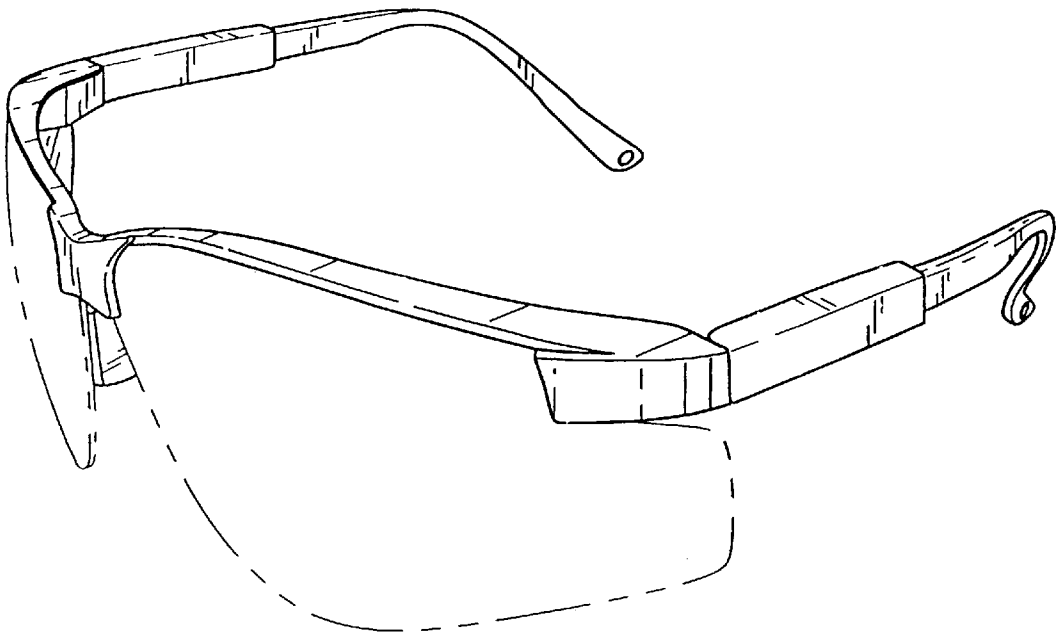


FIG. 1

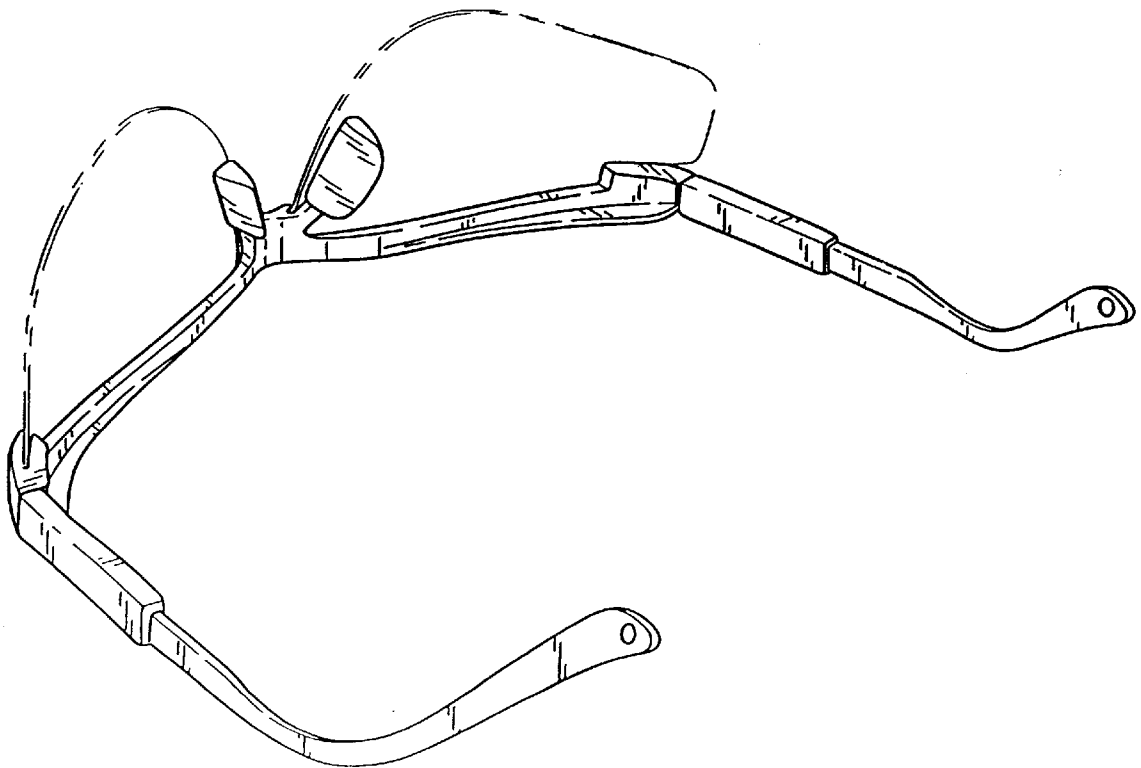


FIG. 2

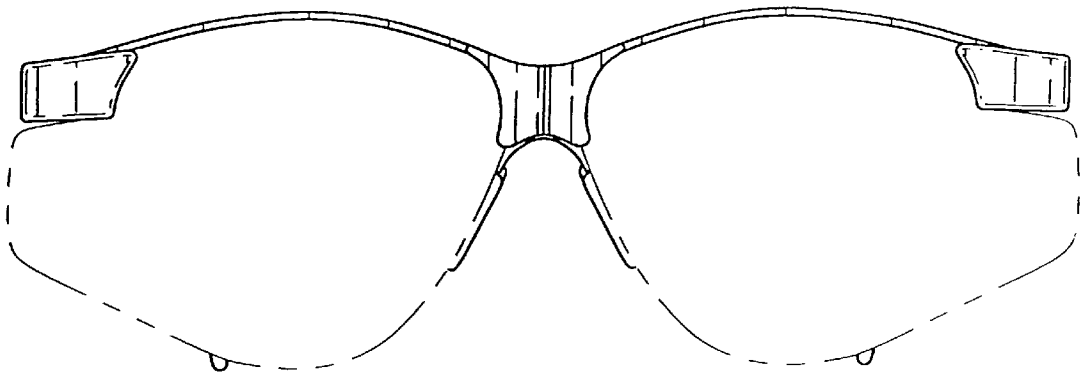


FIG. 3

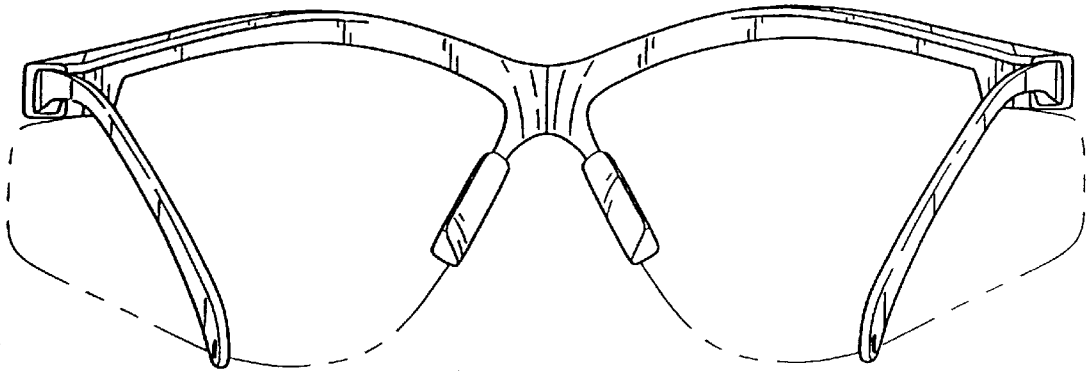


FIG. 4

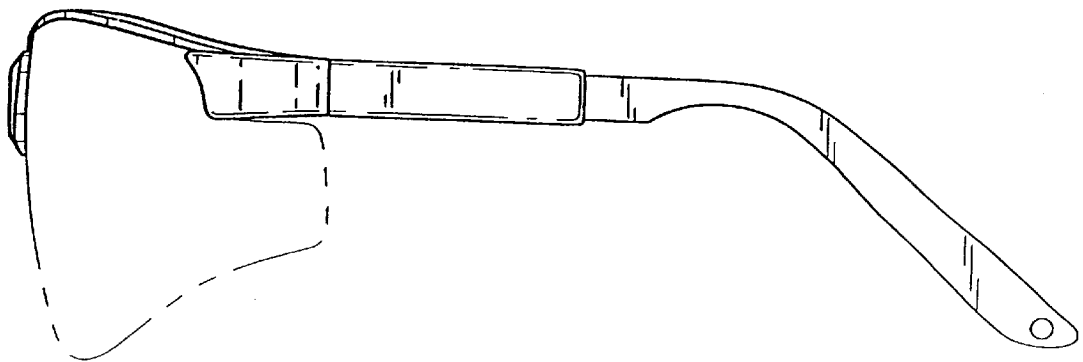


FIG. 5

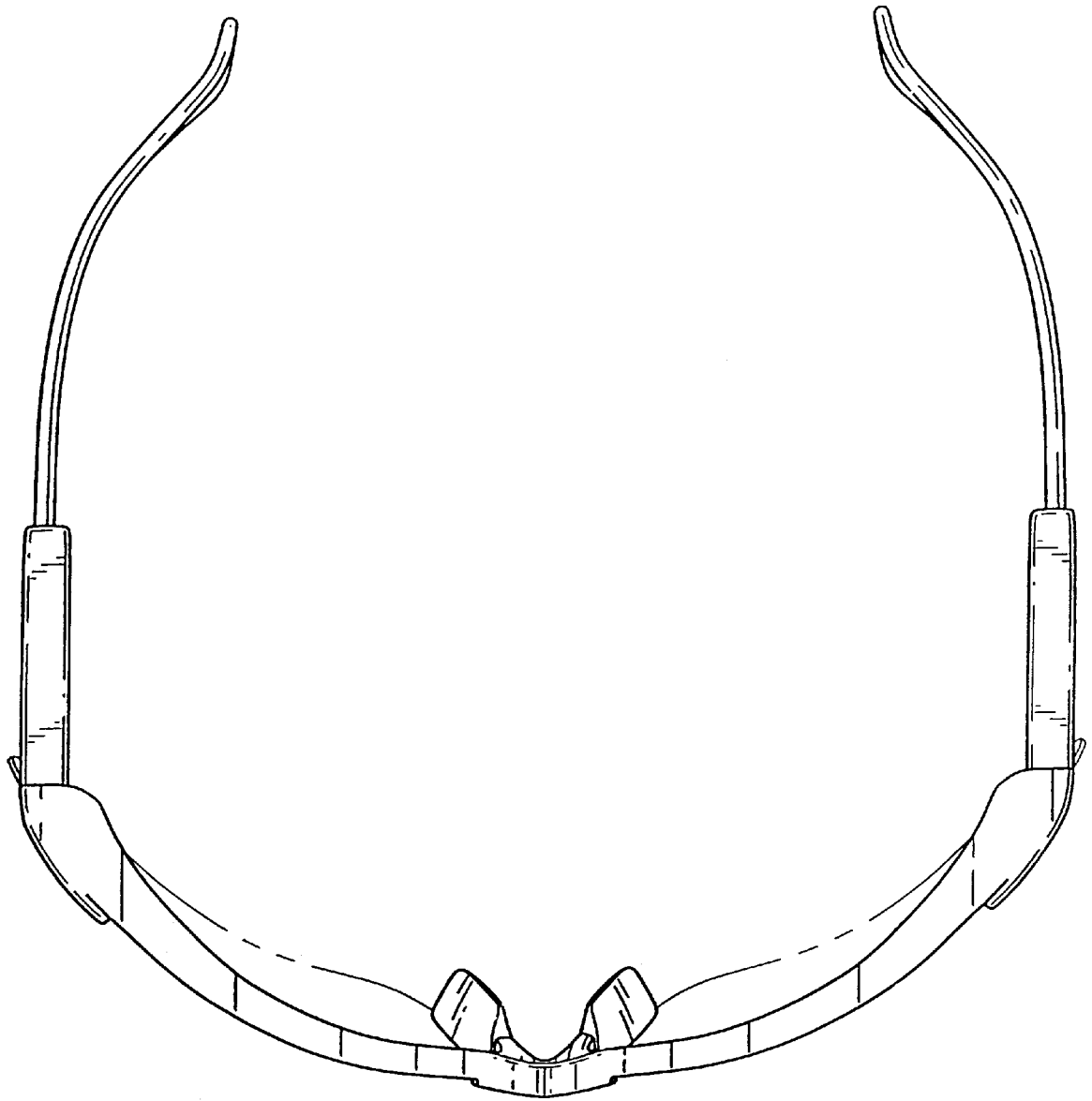


FIG. 6

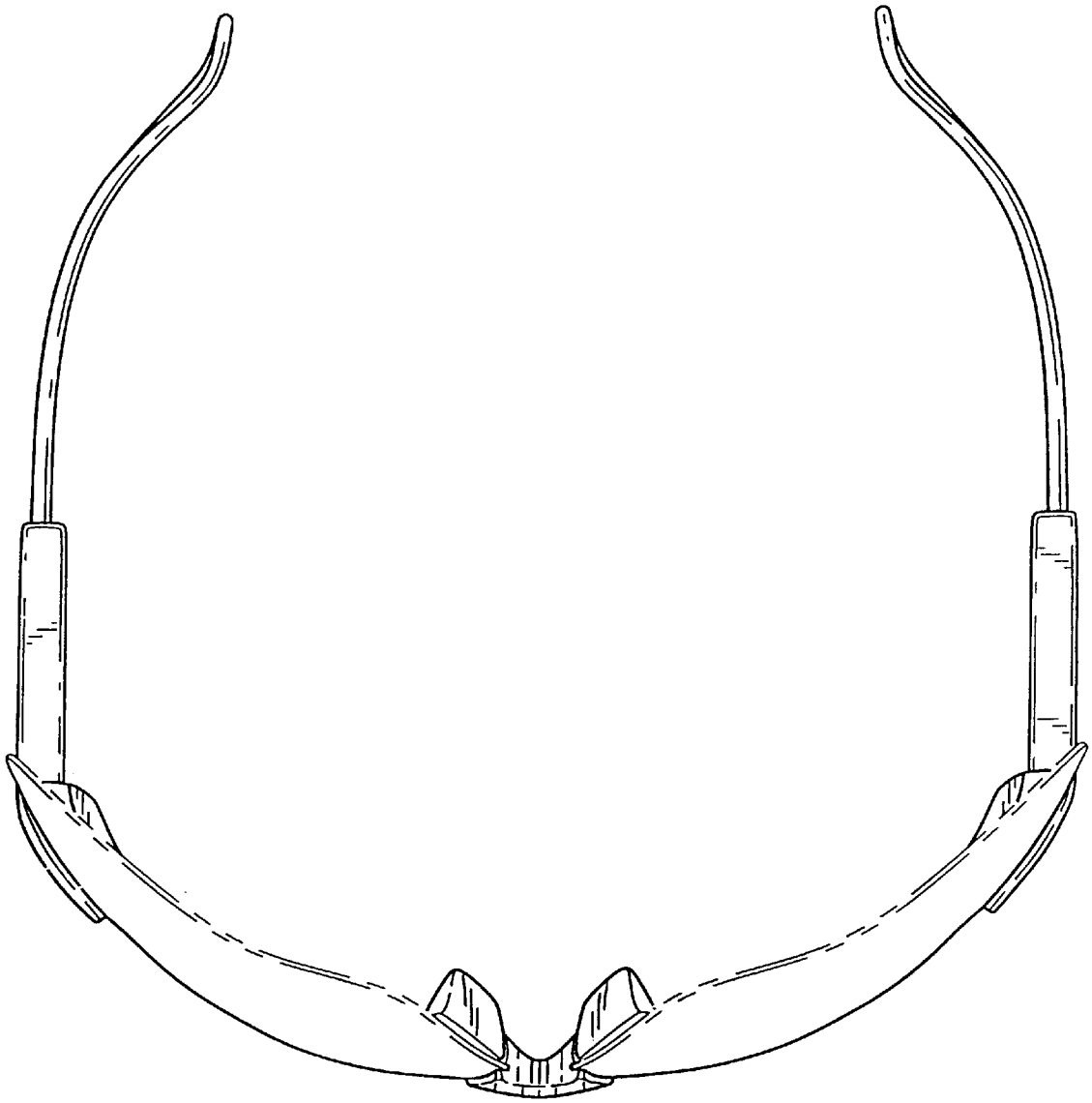


FIG. 7

UNITED STATES PATENT AND TRADEMARK OFFICE
CERTIFICATE OF CORRECTION

PATENT NO. : D434,064
DATED : November 21, 2000
INVENTOR(S) : Henry Welling Lane

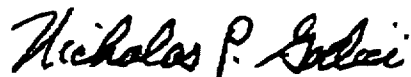
It is certified that error appears in the above-identified patent and that said Letters Patent is hereby correct
as shown below: ON THE TITLE PAGE

IN THE RELATED U.S. APPLICATION DATA [62]

After "...Mar. 17, 1999", delete "abandoned" and add "--now allowed--".

Signed and Sealed this
Eighth Day of May, 2001

Attest:



NICHOLAS P. GODICI

Attesting Officer

Acting Director of the United States Patent and Trademark Office