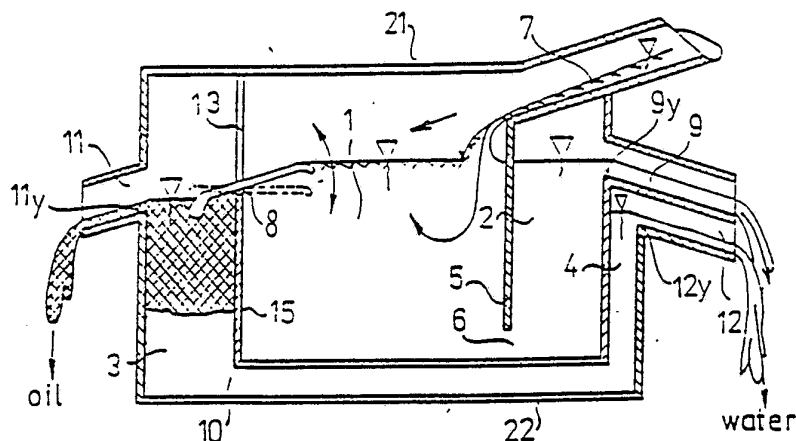




INTERNATIONAL APPLICATION PUBLISHED UNDER THE PATENT COOPERATION TREATY (PCT)

<p>(51) International Patent Classification ⁵ : C02F 1/40, B01D 17/025</p>	<p>A1</p>	<p>(11) International Publication Number: WO 93/19010 (43) International Publication Date: 30 September 1993 (30.09.93)</p>
<p>(21) International Application Number: PCT/HU93/00015 (22) International Filing Date: 17 March 1993 (17.03.93) (30) Priority data: P 9200892 18 March 1992 (18.03.92) HU (71)(72) Applicants and Inventors: SZEREDAY, Pál [HU/HU]; Agárdi út 16, H-1126 Budapest (HU). TÓTH, Ferenc [HU/HU]; Nagy Győri István köz, H-1201 Budapest (HU). (74) Agent: ADVOPATENT; P.O. Box 11, H-1251 Budapest (HU).</p>		<p>(81) Designated States: US, European patent (AT, BE, CH, DE, DK, ES, FR, GB, GR, IE, IT, LU, MC, NL, PT, SE). Published <i>With international search report.</i></p>

(54) Title: A DEVICE FOR SEPARATING SUPERNATANT, IN PARTICULAR LIQUID POLLUTANT, E.G. OIL AND THE LIQUID, E.G. WATER



(57) Abstract

The invention is a device for separating supernatant, in particular liquid pollutant, e.g. oil and the liquid, e.g. water, comprising a receiving tank and a separating tank, said receiving tank being suitably built together with said separating tank, said separating tank being divided into a liquid pollutant chamber and a clean liquid chamber, while said receiving tank being divided into a polluted liquid space and a clean liquid space, said clean liquid space and said polluted liquid space being detached from each other but as communicating vessels being still in connection.

FOR THE PURPOSES OF INFORMATION ONLY

Codes used to identify States party to the PCT on the front pages of pamphlets publishing international applications under the PCT.

AT	Austria	FR	France	MR	Mauritania
AU	Australia	GA	Gabon	MW	Malawi
BB	Barbados	GB	United Kingdom	NL	Netherlands
BE	Belgium	GN	Guinea	NO	Norway
BF	Burkina Faso	GR	Greece	NZ	New Zealand
BG	Bulgaria	HU	Hungary	PL	Poland
BJ	Benin	IE	Ireland	PT	Portugal
BR	Brazil	IT	Italy	RO	Romania
CA	Canada	JP	Japan	RU	Russian Federation
CF	Central African Republic	KP	Democratic People's Republic of Korea	SD	Sudan
CG	Congo	KR	Republic of Korea	SE	Sweden
CH	Switzerland	KZ	Kazakhstan	SK	Slovak Republic
CI	Côte d'Ivoire	LI	Liechtenstein	SN	Senegal
CM	Cameroon	LK	Sri Lanka	SU	Soviet Union
CS	Czechoslovakia	LU	Luxembourg	TD	Chad
CZ	Czech Republic	MC	Monaco	TG	Togo
DE	Germany	MG	Madagascar	UA	Ukraine
DK	Denmark	ML	Mali	US	United States of America
ES	Spain	MN	Mongolia	VN	Viet Nam
FI	Finland				

A device for separating supernatant, in particular liquid pollutant, e.g. oil and the liquid, e.g. water

The object of the invention is a device for separating supernatant, in particular liquid pollutant, e.g. oil and the liquid, e.g. water, comprising a receiving tank and a separating tank, said receiving tank being suitably built together with said separating tank, said separating tank being divided into a liquid pollutant chamber and a clean liquid chamber, while said receiving tank being divided into a polluted liquid space and a clean liquid space, said clean liquid space and said polluted liquid space being detached from each other but as communicating vessels being still in connection, likewise said clean liquid chamber and said liquid pollutant chamber being detached from each other but as communicating vessels being still in connection, said clean liquid space, said clean liquid chamber and said liquid pollutant chamber being provided with overflow holes, while said polluted liquid space being provided with an overflow hole and an inflow gate, too.

Polluted liquids, e.g. waste waters with oil and fat contents occur in many fields of the industry. In the petroleum refining during the crude oil production, transportation and processing, in the steel and metal industry among others in the rolling mills, during the power production in the power stations, furthermore in the chemical plants, in the machine manufacture, at the petrol stations and in many other fields there are oil waste waters of different contamination.

The purpose of cleansing water polluted by oil is to protect the environment, for these waste waters are dangerous for the limpidity of the waters, and for the nature. Owing to their great migration ability and long decomposition rate they are infective to the soil, getting into the groundwater.

Another purpose of the cleansing is to recover the pollutants for recycling or in a given case to neutralize them, moreover to recuperate the expensively produced and clarified water.

A number of methods and devices are known to clarify polluted waters. Their common feature is that they generally operate upon the principle of the different specific weights of the water and the pollutant. The pollutant in the water is first floated onto the top then the surface layer is removed either by a weir or by a device working on the principle of the adhesion.

The devices of longitudinal through-flow, the oil catchers of tangential input and the shallow settling pools with discs, pipes or bundles of tubes are widely spread.

A common imperfection of the above methods and devices is, that after separating the pollutant the oil has a relatively great water content what makes the transportation, the recuperation or the neutralization expensive. It is unfavorable, too, that the known devices are unable to receive extremely fluctuating amounts, e.g. a quantity of precipitation caused by a summer shower. For this reason there is generally a separate drainage system for the rainwater, however, this way the surface contaminations are inevitably washed into the surface waters or groundwater.

Another common imperfection of the known devices is, that they need an energy consuming heating for the operation supposing that the point of solidification is higher than the outer temperature.

A further imperfection is, that the supernatant pollutant often comprises solid, lumpy pollutant, too, e.g. tree leaves, which can cause the blocking up of the device.

The flotation devices, in which the oil droplets come onto the surface together with gas bubbles which are finely distributed in the liquid, need smaller area and shorter cleansing time, however they cannot eliminate all the other imperfections of the known clarifiers. The operation reliability could only be increased by continuous supervision or automatization, any of these causing additional charges and further sources of error.

The Swiss clarifying devices called "aquasant" are working upon the principle of adsorption. The polluted liquid is forced to flow through a medium operating like a filter in a closed space.

The English clarifier named "HYDE" is of similar structure, the separation of the oil and the water is based here on the different permeability against the different materials in the porous medium. As the filtering medium gets blocked up from time to time the device often needs cleaning, the filters have to be changed, besides, greater volumes of polluted water cannot be cleaned by these devices.

The device "CYCLONET" can be classified as a clarifier of tangential inlet. The polluted water is led first into a prefilter, then into a hydrocyclon. As an effect of the rotation the lighter oil is collected in the middle and from there can be e.g. by pumping easily removed. The imperfection of the method is, that there is no sharp border between the oil and the water and so the separation cannot be perfectly realized.

For skimming supernatant pollutant is the device with the name "NENUFAR" employed. The polluted water spills into a tank floating on the water, from there it is pumped into a chamber of a tank which has three chambers. The oil, which is floating upside in the chamber, spills into the second chamber, while the clear water flows through into the third chamber under a submerging wall.

The solution is not perfect, because in case of extreme volume of polluted water the liquids can be mixed with each other, that means that the oil can be contaminated with water and vice versa.

In the Hungarian patent description 181 642 a floating tank is disclosed, which has a downstream first increasing then decreasing submersion depth. The tank has an open front end facing the direction of water flow, while all other sides are closed with walls. Under the tank, due to its shape, the flowing velocity is increased and so the water level is sinked. The polluted water, collected inside the tank with sinked water level is then separated with help of deflecting plates, that suitably adjusted make the oil and the water flow with different velocities into different directions.

The imperfection of the device is, that encountering a denser pollutant or solid contamination it does not work reliably, it gets blocked and has to be cleaned.

The subject of the invention is to develop a device that removes the floating liquid pollutants from the surface of the liquid forced through the device, especially removes the oil from the surface of water, and wherein the device operates reliably, without any supervision, independent of either the rate of water flow or the proportion of the pollutant, e.g. oil and can be well used in case of solidificated pollutant or floating solid contamination, too. It is also a requirement that the device can operate self-controlled, automatically, but without any machinery so that the separated oil comprises no water, and the cleaned water comprises no oil. The quality of the clarification would not be deteriorated even in case of extreme water or oil quantities.

The fundamental idea of the invention is based on the conception that if a space is divided as communicating vessel into two half-spaces, the liquid level in the half-space containing the supernatant liquid pollutant - according to the known laws of the differences between the specific weights and the communicating vessels - is higher than in the half-space with the clean liquid. In case of a given height and layer-thickness of the liquid pollutant the height difference can be computed, if we know the specific weights.

When the half-spaces are provided with overflow holes, the levels of which are determined in different heights according to the

above laws, that means higher in the half-space containing the polluted liquid, the pollutant leaves the liquid flowing through the device through the higher, while the clean liquid through the lower overflow hole.

According to another conception there is another condition of the perfect operation and this is to let a liquid of practically constant quantity the device which can be achieved by letting the polluted liquid first to an equalizing tank built principally similar to the previous one, from where the extra liquid is abstracted, and to conduct only the rest of constant volume, skimmed by self-adjusting surface weir to the separating space.

According to the subject the device according to the invention for separating supernatant, in particular liquid pollutant, e.g. oil and the liquid, e.g. water.-- comprising a receiving tank and a separating tank, said receiving tank being suitably built together with said separating tank, said separating tank being divided into a liquid pollutant chamber and clean liquid chamber, while said receiving tank being divided into a polluted liquid space and a clean liquid space, said clean liquid space and said polluted liquid space clean liquid space and said polluted liquid space being detached from each other but as communicating vessels being still in connection, likewise said clean liquid chamber and said liquid pollutant chamber being detached from each other but as communicating vessels being still in connection, said clean liquid space, said clean liquid chamber and said liquid pollutant chamber

being provided with overflow holes, while said polluted liquid space being provided with an overflow hole and an inflow gate, too - - is achieved in that said overflow hole of said polluted liquid space has a self-adjusting weir, the bottom level of said overflow hole of said liquid pollutant chamber is under the lowest level of said self-adjusting weir of said polluted liquid space, the level of said overflow hole of said clean liquid chamber is under the bottom level of said overflow hole of said liquid pollutant chamber, while the level of said overflow hole of said clean liquid space is practically on the lowest level of said self-adjusting weir of said polluted liquid space, said liquid pollutant chamber of said separating tank is adjacent to said polluted liquid space of said receiving tank, and said self-adjusting weir is located along the partition wall between them.

Another characteristic feature of the device according to the invention is that said receiving tank is flanked by said liquid pollutant chamber and said clean liquid chamber of said separating tank, and said clean liquid chamber extends under or beside said receiving tank, too.

According to the invention the device has a canal suitable to conduct said polluted liquid, the united block of said receiving tank and said separating tank is built into said canal itself and divides said canal into two branches, said inflow gate is reduced by deflectors, said deflectors detach said branches from said canal, said receiving tank has two clean liquid spaces that flank said

polluted liquid space, said clean liquid spaces are detached from said polluted liquid space by submerging walls practically parallel to the line of flow but are still connected to it by communicating holes, said clean liquid spaces are flanked by said branches, said clean liquid spaces are detached from said branches by longitudinal parting walls practically parallel to the line of flow and by said overflow holes, further said overflow holes of said clean liquid spaces, said overflow hole of said clean liquid chamber and said overflow hole of said liquid pollutant chamber have fix weirs.

The device according to the invention has a number of advantages. The most important of these is, that by the device according to the invention the liquid pollutant can be removed from the polluted liquid so, that the result is a fully clean liquid and a pollutant fully free from clean liquid, consequently they do not need a further cleansing.

To the separating tank the polluted liquid flows steadily by means of the device, so the reliability of the operation is independent of the rate of waterflow, that means that it operates perfectly even beside extreme rates of flow. The device is self-controlling, there is no need of human supervision, and in this way all the mistakes that usually come along due to human negligence do not occur here.

The operation is not influenced by inflow of floating solid contamination or of often denser pollutant with variable viscosity.

When the point of solidification of the pollutant is higher than the outer temperature, the operation can be maintained by heating

only the overflow hole of the liquid pollutant chamber, so the operation is energy sparing.

The self-adjusting weir meets the requirements perfectly even if not surrounded by a sealer. There is no need of any machinery or energy controlling device, the operation is still perfect.

The device according to the invention will now be further described in detail by way of example with reference to the accompanying drawings in which

Fig. 1 is a schematic cross section of a possible embodiment of the device according to the invention,

Fig. 2 is a schematic longitudinal section of another embodiment,

Fig. 3 is the top view of the embodiment shown in Fig. 2,

Fig. 4 is the cross-section along plane IV-IV shown in Fig. 2.

In Fig. 1 the receiving tank 21 contains the polluted liquid space 1 and the clean liquid space 2. while the separating tank 22 comprises the liquid pollutant chamber 3 and the clean liquid chamber 4. The receiving tank 21 is built together with the separating tank 22 so that the receiving tank 21 is flanked by the liquid pollutant chamber 3 and the clean liquid chamber 4 of the separating tank 22. In Fig. 1 the clean liquid chamber 4 extends under the receiving tank 21. but there is another possible case. not to be seen in Fig. 1. when the clean liquid chamber 4 is beside the receiving tank 21.

The self-adjusting weir 8, which is in the same time the bottom level of the overflow hole 13 of the polluted liquid space 1 is built into the partition wall 15 between the polluted liquid space 1 and the liquid pollutant chamber 3. The clean liquid space 2 is provided with the overflow hole 9, the liquid pollutant chamber 3 is provided with the overflow hole 11, while the clean liquid chamber 4 has the overflow hole 12.

In the embodiment shown in Fig. 1 the overflow hole 9 of the clean liquid space 2 has the weir 9y, the overflow hole 11 of the liquid pollutant chamber 3 has the weir 11y, while the overflow hole 12 of the clean liquid chamber 4 has the weir 12y.

The weir 11y is under the lowest level of the self-adjusting weir 8, the level of the weir 9y is practically on the same height as the lowest level of the self-adjusting weir 8.

The operation of the device is as follows: The flowing polluted liquid of changing quantity flows into the polluted liquid space 1 of the receiving tank 21 through the inflow gate 7. The self-adjusting weir 8 follows the height the water level of the incoming polluted liquid, e.g. oily water. its level is always around the water level, between the two endpositions.

For this reason the oily water that spills over the self-adjusting weir 8 into the liquid pollutant chamber 3 of the separating tank 22 has a steady layer thickness. The polluted liquid space 1 of the receiving tank 21 is detached from the clean liquid space 2 by the submerging wall 5 of the receiving tank 21. under the submerging

wall 5 there is a communicating hole 6 through which the polluted liquid space 1 and the clean liquid space 2 are as communicating vessels connected.

In the clean liquid space 2 containing clean water the water level is always at least on the level of the weir 9y, for over this level the water spills through, while under this level the water cannot flow out. The level of the weir 9y is practically equal to the lowest level of the self-adjusting weir 8. The surface of the oily water in the polluted liquid space 1 is higher than the water level in the clean liquid space 2, for the oily water is lighter than the water.

When the level of the clean water reaches the level of the weir 9y, the clean water flow through the overflow hole 9 of the clean liquid space 2, while the oily water in a practically steady quantity spills into the liquid pollutant chamber 3 through the self-adjusting weir 8 of the overflow hole 13 of the polluted liquid space 1.

In the liquid pollutant chamber 3 the liquid pollutant, in our case the oil is floating on the surface, while the water staying below leaves for the clean liquid chamber 4 through the communicating hole 10 of the separating tank 22, and later, reaching the level of the weir 12y spills through the overflow hole 12 of the clean liquid chamber 4.

The oil that is collected on the top in the liquid pollutant chamber 3 spills through the overflow hole 11 of the liquid pollutant chamber 3, because the weir 11y of the latter is located higher than

the weir 12y according to the difference between the specific weights of the oil and the water.

Of course for the proper operation the tanks with the spaces and chambers, the sizes of the submerging walls and communicating holes have to be dimensioned in conformity with the extreme rates of flow of the incoming liquid, the viscosity and the specific weight of the pollutant, in a given case, its proportion, further with the sizes of the floating solid pollutants.

A further possible embodiment is shown on Figs. 2, 3 and 4. In this embodiment the united block of the receiving tank 21 and the separating tank 22 is built into the canal 19 itself, in which the polluted liquid is flowing, e.g. into the by-pass canal.

The polluted liquid is conducted into the polluted liquid space 1 of the receiving tank 21 by the two deflectors 16 flanking the inflow gate 7. The deflectors 16 divide the canal 19 into two branches 20a and 20b at the same time, closing them from the canal 19.

The branches 20a and 20b flank the united block of the receiving tank 21 and the separating tank 22 and flowing downstream they are reunited as canal 19. The polluted liquid space 1 are flanked by the clean liquid spaces 2a and 2b. The polluted liquid space 1 are detached from the clean liquid spaces 2a and 2b by the submerging walls 5a and 5b of the receiving tank 21, but they are at the same time connected as communicating vessels by the communicating holes 6a and 6b of the receiving tank 21.

The clean liquid spaces 2a and 2b are detached from the branches 20a and 20b by the longitudinal parting walls 14a and 14b but the clean liquid spaces 2a and 2b are connected with the branches 20a and 20b by the overflow holes 9a and 9b of the clean liquid spaces 2a and 2b and by the weirs 9y on the bottom level of the latter.

The polluted liquid space 1 is adjacent to the liquid pollutant chamber 3 of the separating tank 22, the self-adjusting weir 8 is built into the partition wall 15 between them, on the bottom level of the overflow hole 13 of the polluted liquid space 1. The liquid pollutant chamber 3 is adjacent to the clean liquid chamber 4, the two of them are detached from each other by the submerging wall 18 of the separating tank 22, but they are in connection as communicating vessels through the communicating hole 10 of the separating tank 22.

The clean liquid chamber 4 is closed by the end wall 17, beyond the end wall 17 there is again the canal 19 that unifies the branches 20a and 20b.

The top edge of the end wall 17 is provided with the weir 12y, this is also the bottom level of the overflow hole 12 of the clean liquid chamber 4. The bottom level of the overflow hole 11 of the liquid pollutant chamber 3 is located higher than the level of the weir 12y. In the canal 19 a liquid with changing quantity, e.g. oily water flows into the polluted liquid space 1 through the inflow gate 7 between the deflectors 16. The extra water containing no oil flows into the clean liquid spaces 2a and 2b through the communicating holes 6a

and 6b the receiving tank 21. When the water level in these reaches the level of the weirs 9y, the clean water spills through the weirs 9y into the branches 20a and 20b, and from these it flows again into the canal 19, in the section following the separating tank 22.

The level of the oily water in the polluted liquid space 1 is followed by the self-adjusted weir 8, which separates a steady quantity from that. The oily water gets this way into the liquid pollutant chamber 3. Here the supernatant oil leaves through the overflow hole 11, while the chelan water staying under gets into the clean liquid chamber 4 through the communicating hole 10 of the separating tank 22 under the submerging wall 18 of the separating tank 22.

The clean water in the clean liquid chamber 4, if its level reaches the level of the weir 12y which is in the end wall 17 spills into the canal 19 unifying the branches 20a and 20b and there it is mixed to the clean water coming from the clean liquid space 2.

It is to be noted at this embodiment that the so-called dwelling period needed for the pollutant to become supernatant can be determined from the dimensions of the canal 19 and the built-in polluted liquid space 1 together. If there is an extremely great inflow the pollutant is held in the canal 19 in front of the receiving tank 21 so far the thickness of the pollutant layer reaches the upper level of the communicating holes 6a and 6b. Consequently the retaining ability of the device can be optimally increased with the length of the incoming section of the canal 19.

The device according to the invention can be employed independently as oil or fat catcher, or to remove any other supernatant liquid pollutant either independently or jointed to any existing equipment for making their operation perfect. The device can be combined with any similar device with the same purpose but imperfect operation.

It can be either a stationary or a mobile device. Its employment is especially advantageous on sites where the rate of flow is often changing or there is a pollutant of changing quality and changing proportion.

As the device separates the liquid pollutant free from water, it is especially useful when the liquid tank is of limited capacity, for instance at unexpected oil-spillages either on rivers or on the open sea.

CLAIMS

1. A device for separating supernatant, in particular liquid pollutant, e.g. oil and the liquid, e.g. water, comprising a receiving tank and a separating tank, said receiving tank being suitably built together with said separating tank, said separating tank being divided into a liquid pollutant chamber and a clean liquid chamber, while said receiving tank being divided into a polluted liquid space and a clean liquid space, said clean liquid space and said polluted liquid space being detached from each other but as communicating vessels being still in connection, likewise said clean liquid chamber and said liquid pollutant chamber being detached from each other but as communicating vessels being still in connection, said clean liquid space, said clean liquid chamber and said liquid pollutant chamber being provided with overflow holes, while said polluted liquid space being provided with an overflow hole and an inflow gate, too, characterized in that said overflow hole/13/ of said polluted liquid space/1/ has a self-adjusting weir/8/, the bottom level of said overflow hole/11/ of said liquid pollutant chamber/3/ is under the lowest level of said self-adjusting weir/8/ of said polluted liquid space/1/, the level of said overflow hole/12/ of said clean liquid chamber/4/ is under the bottom level of said overflow hole/11/ of said liquid pollutant chamber/3/, while the level of said overflow hole/9/ of said clean liquid space/2/ is practically on the lowest level of said self-adjusting weir/8/ of said polluted liquid

space/1/, said liquid pollutant chamber/3/ of said separating tank/22/ is adjacent to said polluted liquid space/1/ of said receiving tank/21/, and said self-adjusting weir/8/ is located along the partition wall/15/ between them.

2. A device according to claim 1 characterized in that said receiving tank/21/ is flanked by said liquid pollutant chamber/3/ and said clean liquid chamber/4/ of said separating tank/22/, and said clean liquid chamber/4/ extends under or beside said receiving tank/21/, too.

3. A device according to claim 1 characterized in having a canal/19/ suitable to conduct said polluted liquid. the united block of said receiving tank/21/ and said separating tank/22/ is built into said canal/19/ itself and divides said canal/19/ into two branches/20a, 20b/, said inflow gate/7/ is reduced by deflectors/16/, said deflectors/16/ detach said branches/20a, 20b/ from said canal/19/, said receiving tank/21/ has two clean liquid spaces/2a, 2b/ that flank said polluted liquid space/1/ said clean liquid spaces/2a, 2b/ are detached from said polluted liquid space/1/ by submerging walls/5a, 5b/ practically parallel to the line of flow but are still connected to it by communicating holes/6a, 6b/, said branches/20a, 20b/, said clean liquid spaces/2a, 2b/ are detached from said branches/20a, 20b/ by longitudinal parting walls/14a, 14b/ practically parallel to the line of flow and by said overflow holes. further said overflow holes/9a, 9b/ of said clean liquid spaces/2a, 2b/, said overflow hole/12/ of said clean liquid chamber/4/ and said

overflow hole/11/ of said liquid pollutant chamber/3/ have fix
weirs/9y, 12y, 11y/.

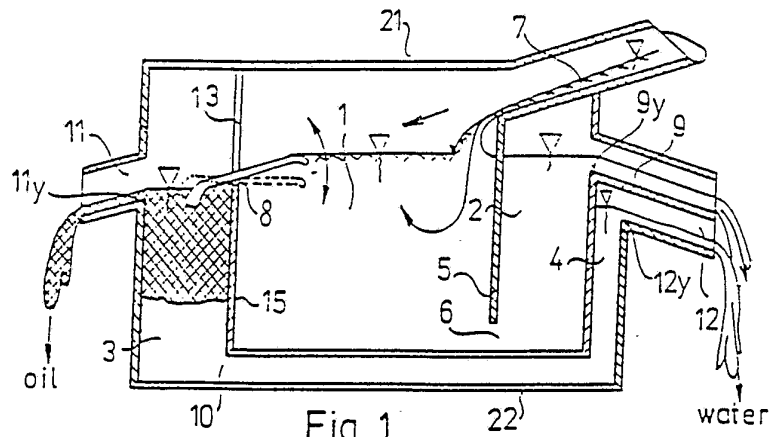


Fig. 1

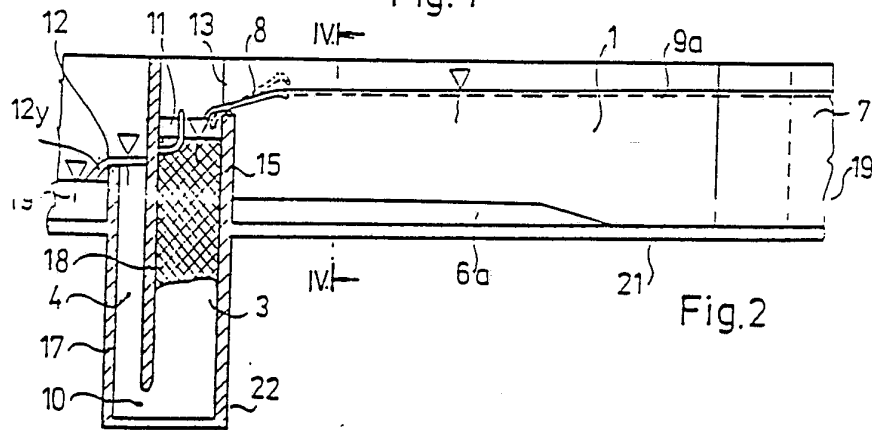


Fig. 2

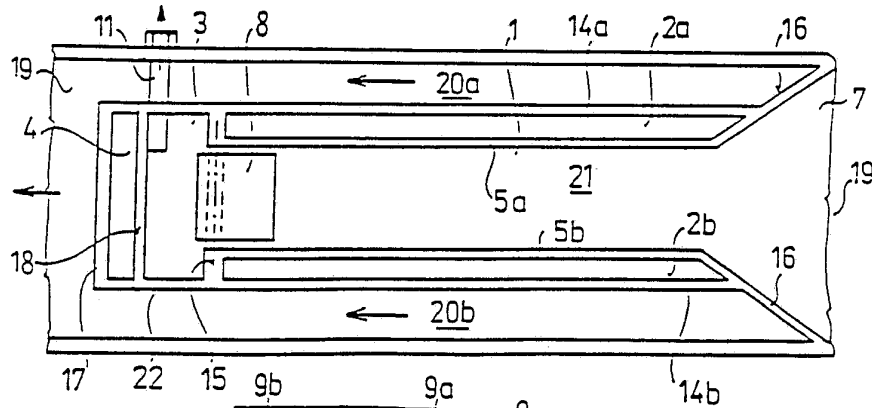


Fig. 3

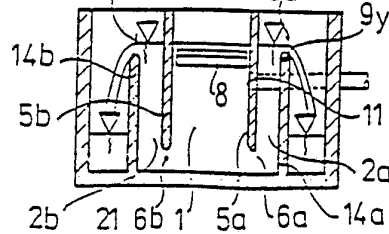


Fig. 4

INTERNATIONAL SEARCH REPORT

International application No.

PCT/HU 93/00015

A. CLASSIFICATION OF SUBJECT MATTER

IPC⁵: C 02 F 1/40; B 01 D 17/025

According to International Patent Classification (IPC) or to both national classification and IPC

B. FIELDS SEARCHED

Minimum documentation searched (classification system followed by classification symbols)

IPC⁵: B 01 D 17/00, 17/02, 17/025, 17/028, 17/035; C 02 F 1/40

Documentation searched other than minimum documentation to the extent that such documents are included in the fields searched

Electronic data base consulted during the international search (name of data base and, where practicable, search terms used)

C. DOCUMENTS CONSIDERED TO BE RELEVANT

Category*	Citation of document, with indication, where appropriate, of the relevant passages	Relevant to claim No.
A	US, A, 5 091 088 (ESSOP) 25 February 1992 (25.02.92), claim 1; figure.	1
A	US, A, 4 664 802 (LEE) 12 May 1987 (12.05.87), claim 1; figures 1,2.	1

 Further documents are listed in the continuation of Box C. See patent family annex.

* Special categories of cited documents:

"A" document defining the general state of the art which is not considered to be of particular relevance

"E" earlier document but published on or after the international filing date

"L" document which may throw doubts on priority claim(s) or which is cited to establish the publication date of another citation or other special reason (as specified)

"O" document referring to an oral disclosure, use, exhibition or other means

"P" document published prior to the international filing date but later than the priority date claimed

"T" later document published after the international filing date or priority date and not in conflict with the application but cited to understand the principle or theory underlying the invention

"X" document of particular relevance; the claimed invention cannot be considered novel or cannot be considered to involve an inventive step when the document is taken alone

"Y" document of particular relevance; the claimed invention cannot be considered to involve an inventive step when the document is combined with one or more other such documents, such combination being obvious to a person skilled in the art

"&" document member of the same patent family

Date of the actual completion of the international search

05 July 1993 (05.07.93)

Date of mailing of the international search report

15 July 1993 (15.07.93)

Name and mailing address of the ISA/ AT
AUSTRIAN PATENT OFFICE
Kohlmarkt 8-10
A-1014 Vienna
Facsimile No. 0222/53424/535

Authorized officer

Pusterer e.h.

Telephone No. 0222/5337058/42

INTERNATIONAL SEARCH REPORT
Information on patent family members

International application No.

PCT/HU 93/00015

Im Recherchenbericht angeführtes Patentdokument Patent document cited in search report Document de brevet cité dans le rapport de recherche	Datum der Veröffentlichung Publication date Date de publication	Mitglied(er) der Patentfamilie Patent family member(s) Membre(s) de la famille de brevets	Datum der Veröffentlichung Publication date Date de publication
US A 5091088	25-02-92	AU A1 52121/90	27-09-90
		BR A 9001547	30-04-91
		CA AA 2012733	22-09-90
		EP A2 389276	26-09-90
		EP A3 389276	23-09-92
		FI A0 901429	21-03-90
		HU A0 901625	28-06-90
		IL A0 93872	23-12-90
		JP A2 3047502	28-02-91
		NO A0 901334	22-03-90
		NO A 901334	24-09-90
		PL A1 284413	29-07-91
		PT A 93534	21-10-90
		YU A 565/90	31-10-91
		ZA A 9002536	30-10-91
		US A 4664802	12-05-87
GB A0 8526139	27-11-85		
GB A1 2166967	21-05-86		
GB B2 2166967	10-08-88		
JP A2 61153106	11-07-86		
SE A0 8405494	01-11-84		
SE A 8405494	02-05-86		
SE B 445710	14-07-86		
SE C 445710	23-10-86		