



US00D772815S

(12) **United States Design Patent**  
**Chen et al.**

(10) **Patent No.:** **US D772,815 S**

(45) **Date of Patent:** **\*\* Nov. 29, 2016**

- (54) **BASE FOR A POWER SUPPLY**
- (71) Applicant: **Sinpro Electronics Co., Ltd.**, Pingtung, Pingtung County (TW)
- (72) Inventors: **Chih-Ming Chen**, Pingtung (TW);  
**Han-Liang Li**, Pingtung (TW);  
**Tsung-Yu Lin**, Pingtung (TW);  
**Hui-Ling Hsieh**, Pingtung (TW)
- (73) Assignee: **Sinpro Electronics Co., Ltd.**, Pingtung (TW)

(\*\*) Term: **15 Years**

(21) Appl. No.: **29/545,943**

(22) Filed: **Nov. 17, 2015**

(51) **LOC (10) Cl.** ..... **13-02**

(52) **U.S. Cl.**  
USPC ..... **D13/118**; D13/156

(58) **Field of Classification Search**  
USPC ..... D13/110, 123, 133, 137.1, 139.1, 139.4,  
D13/152, 154, 155, 156, 158, 162, 164, 173,  
D13/177, 184; D8/349-351, 353; 174/67,  
174/66; D10/49; 439/147-149, 373, 391,  
439/535, 536, 538; 220/241, 242; 361/600,  
361/707, 752  
CPC .. H05K 5/0013; H05K 5/006; H05K 5/0073;  
H05K 7/1417

See application file for complete search history.

(56) **References Cited**

**U.S. PATENT DOCUMENTS**

- D199,397 S \* 10/1964 Foster, Jr. .... D13/152
- D245,906 S \* 9/1977 Taylor ..... D13/152
- D286,396 S \* 10/1986 Luciano ..... D13/179
- D340,222 S \* 10/1993 Bedell ..... D13/110
- D362,839 S \* 10/1995 Tamaki ..... D13/110

- D409,144 S \* 5/1999 Brandt ..... D13/133
- D637,976 S \* 5/2011 Nurmi ..... D13/155
- D703,619 S \* 4/2014 Wilkins, III ..... D13/156
- D745,853 S \* 12/2015 Andresen ..... D13/184
- D758,979 S \* 6/2016 Moon ..... D13/184
- 2001/0028555 A1 \* 10/2001 Takeuchi ..... H05K 7/1417  
361/752
- 2003/0058626 A1 \* 3/2003 Stockhaus ..... H05K 5/0013  
361/752
- 2010/0253188 A1 \* 10/2010 Koyama ..... H05K 5/0073  
312/223.1
- 2015/0289399 A1 \* 10/2015 Liao ..... H05K 7/1417  
361/747

\* cited by examiner

*Primary Examiner* — Derrick Holland

*Assistant Examiner* — Jennifer O King

(74) *Attorney, Agent, or Firm* — C. G. Mersereau;  
Nikolai & Mersereau, P.A.

(57) **CLAIM**

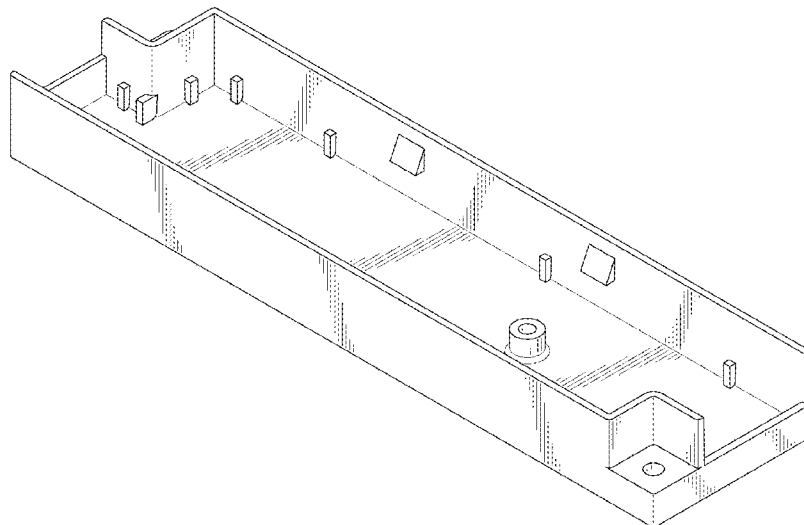
The ornamental design for a base for a power supply, as shown and described.

**DESCRIPTION**

FIG. 1 is a perspective view of a base for a power supply showing our new design;  
 FIG. 2 is a front view thereof;  
 FIG. 3 is a rear view thereof;  
 FIG. 4 is a left side view thereof;  
 FIG. 5 is a right side view thereof;  
 FIG. 6 is a top view thereof;  
 FIG. 7 is a bottom view thereof;  
 FIG. 8 is another perspective view thereof; and,  
 FIG. 9 is a perspective view thereof, shown in environmental use.

The broken lines shown represent unclaimed subject matter and form no part of the claimed design.

**1 Claim, 7 Drawing Sheets**



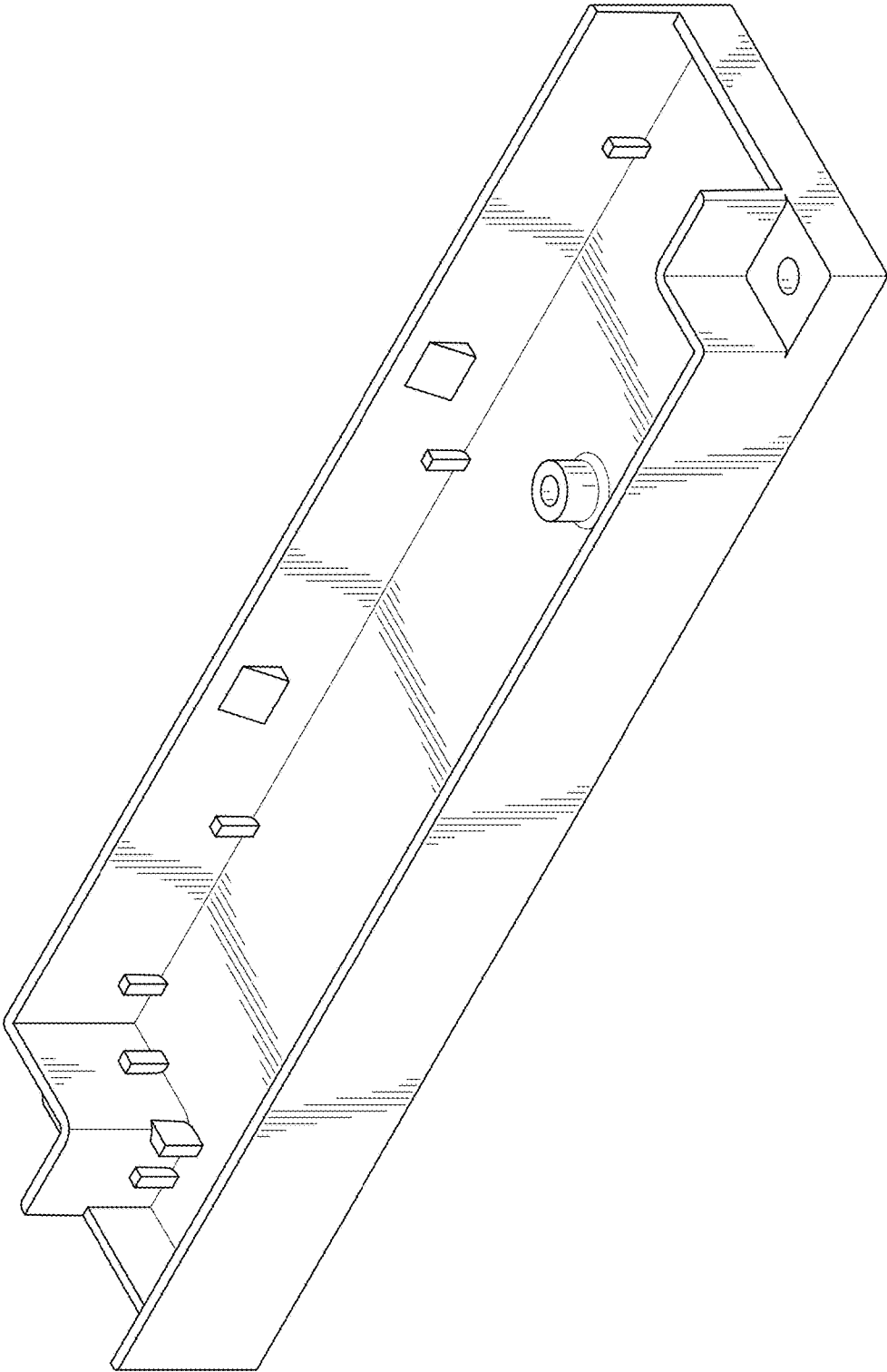


FIG.1

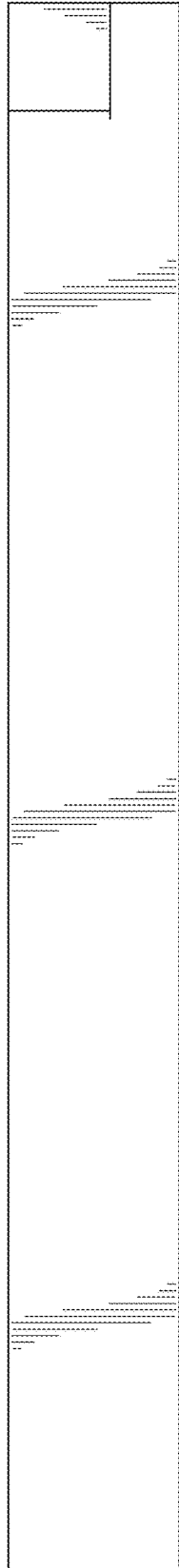


FIG. 2

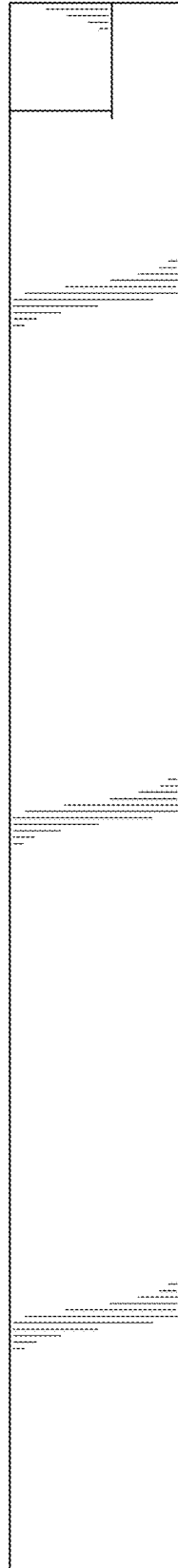


FIG. 3

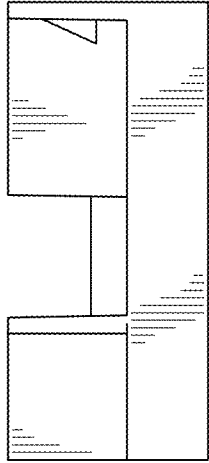


FIG.5

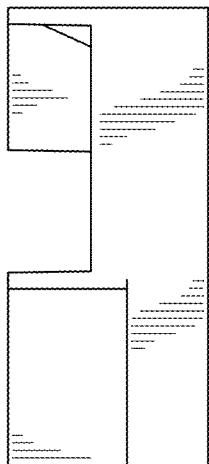


FIG.4

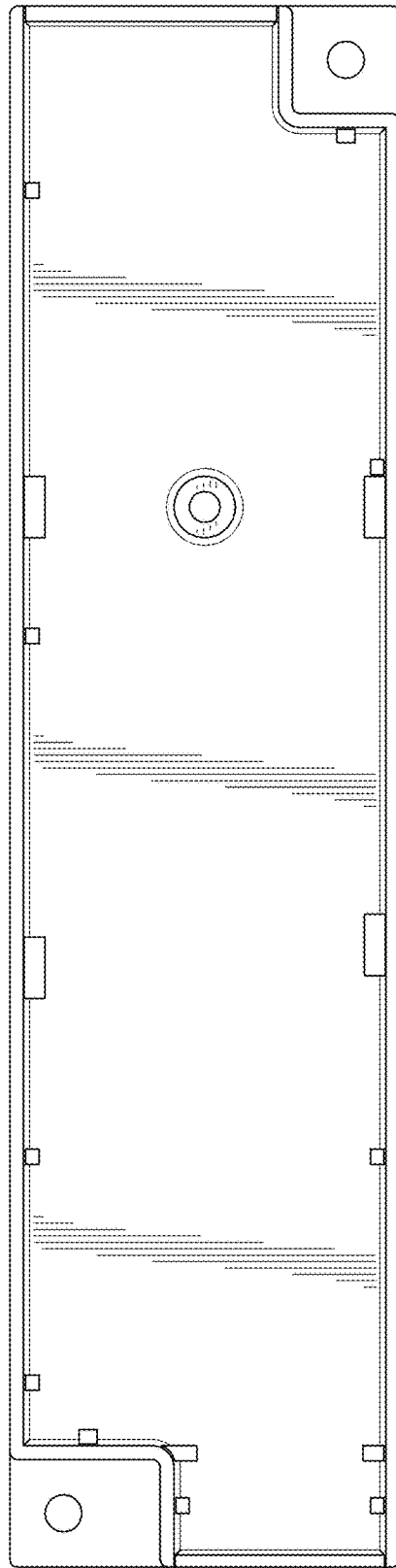


FIG.6

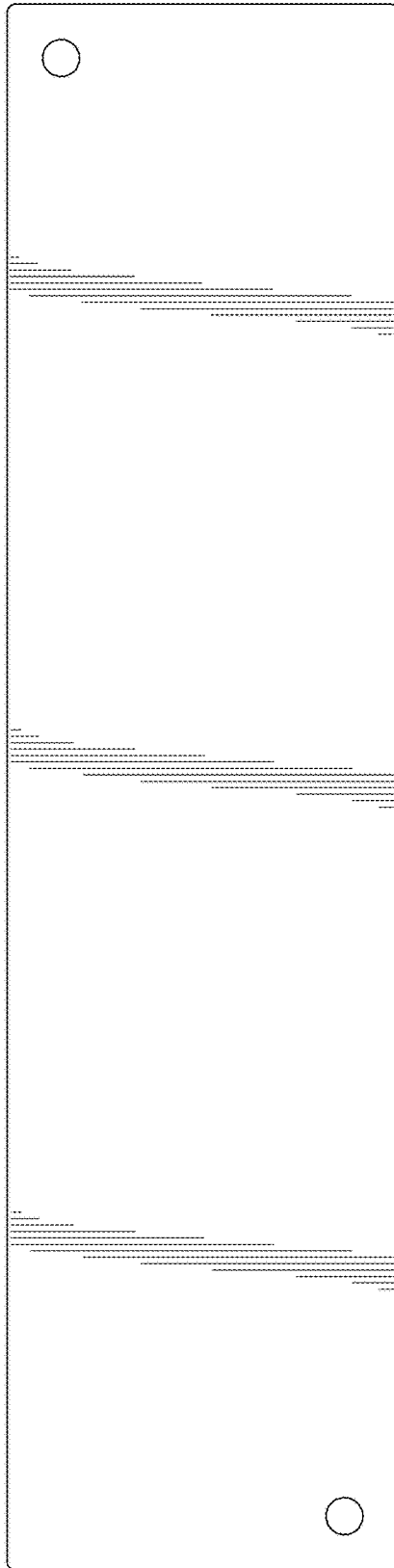


FIG.7

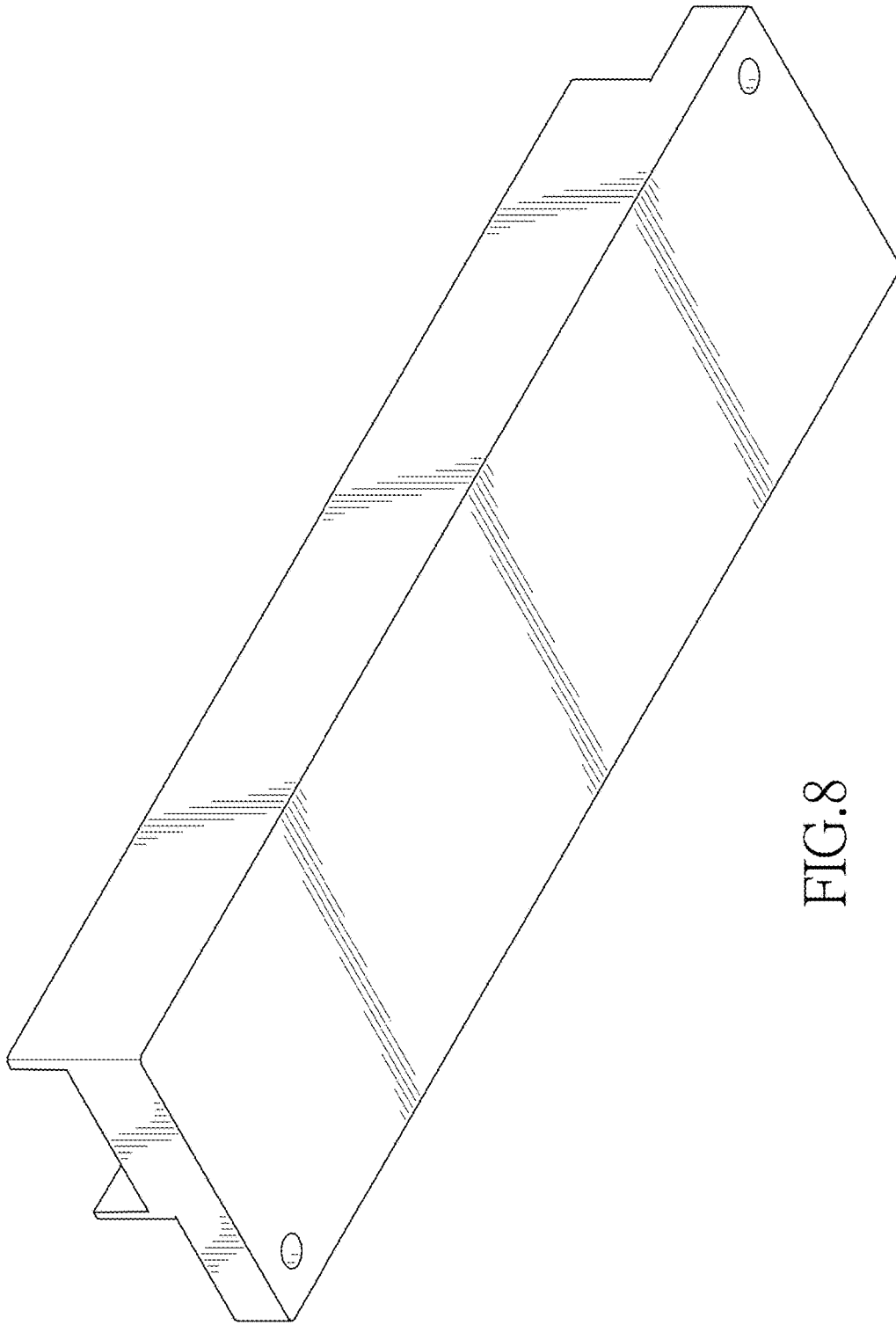


FIG.8

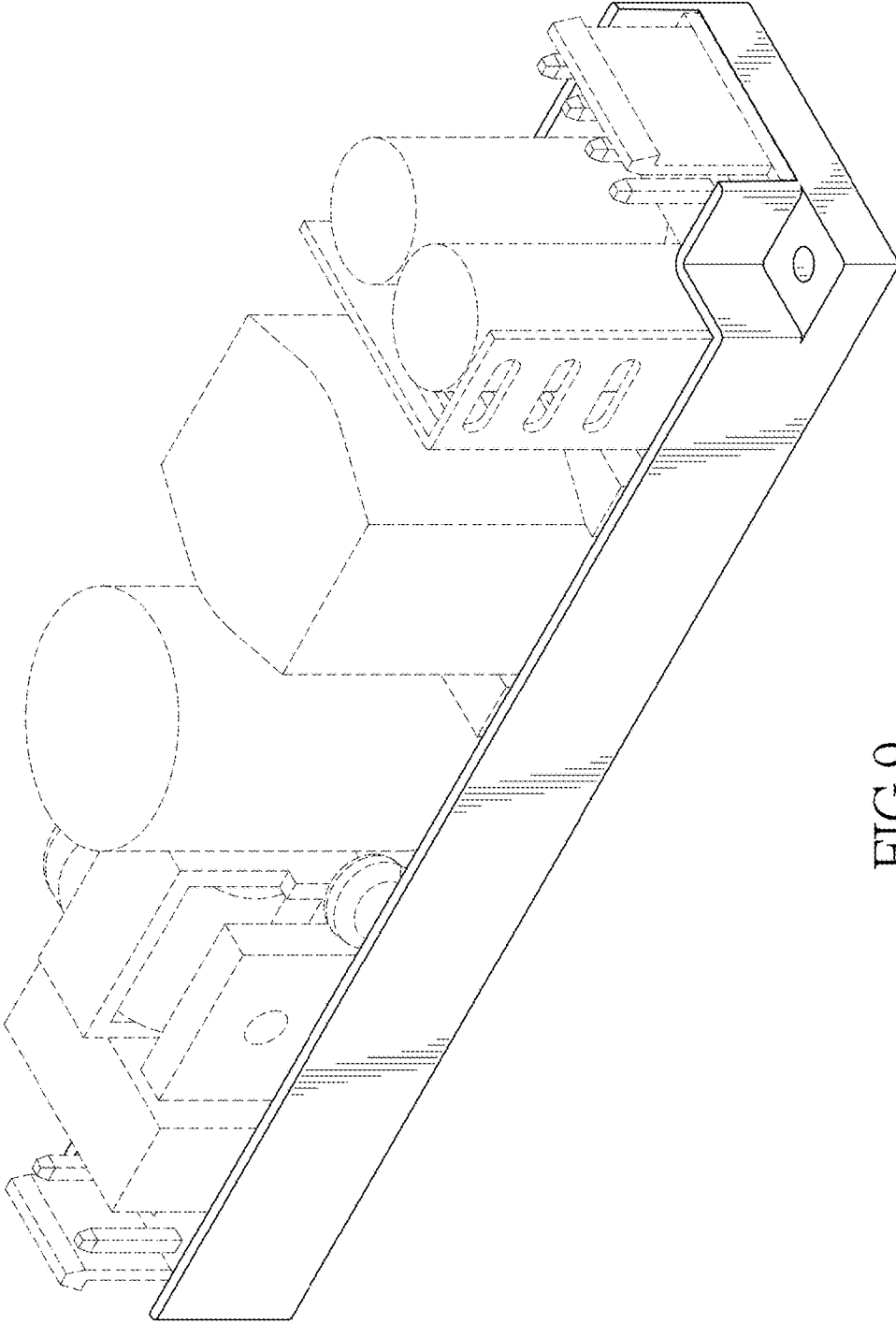


FIG.9